



Finally, an LED Downlight that looks and performs like a downlight...





Introducing the Mono Lens LED Series from Domus.

Well, finally it's here. Domus Lighting has introduced the latest technology in LED downlight design into our Evergreen range. The NEW range of LED downlights offers features unique to other LED downlights currently found on the market. From the outset you look at the fitting and it looks like a halogen downlight. How can this be?

Style

To start with we have introduced a frame which is not only stylish but functional. The frame is powder coated in a satin white finish which blends in beautifully with the ceiling. We have also incorporated a tilt function which allows the fitting to adjust the light beam to suit their application.

What's even more amazing is that with the NEW range of DLK downlights, you do not need to worry what hole size you have cut as we have included a solution enclosed within every box. This comes in the form of a plastic adaptor ring that acts like an expander that allows you to install this downlight into holes as small as Ø70mm through to the more common Ø90mm. The DLK I3 allows for hole sizes from Ø80mm- Ø90mm (using adaptor ring).

Performance

Where is the LED I hear you ask? Well, it's there in the centre. It's located behind our NEW optics lens which looks and behaves in the exact same manner as your traditional halogen lamp but with all the benefits of greatly reduced energy consumption and extended lamp life. The light source is from SHARP, a well renowned company that produces LEDs with perfect colour output. The light from this gives you true to life colours. The benefits of this means that not only do you feel better under this light but the objects that surround you also look better and more true to life.

There are many new LED downlights currently on the market but there are none like this. The others offer you an array of LEDs which is then coupled with a diffuser of some sort. The problem with this is that the lumen output or claimed amount of light that is produced is from the LED chip supplier. This all changes when the diffuser is placed in front of the LEDs greatly reducing the amount of visible light. The appearance of these downlights also looks more like the compact fluorescent downlights which we see in commercial applications.

Domus has taken much time to develop this range and we have also had these tested by a NATA approved lab which confirms the stated claims about the output, and is recognised by the Australian Government.

Price

Well, am I getting value for money?. Yes, the Mono Lens LED Series are cost efficient and provide a great LED lighting solution comparing the energy savings Vs initial outlay.

Warranty

Rest assured that Domus offers a 3 Year replacement Warranty on our new Mono Lens LED Series.





LED Evolution



Evolution: Single Chip Mono Lens MR16



Move to: Multi-Chip LED MR16



Started with: 5mm LED MR16





Product range

EV-DLK13

Page 6



EV-DLK10

Page 8



Warranty



60°



Dimmable



Up to 80%
Energy Saving



Custom Passive
Heat Sink



HI CRI



High Brightness



EV-RETRO I0-ML

Page 10



EV-GUI0-ML-6W

Page 12



EV- MR16-ML-6W

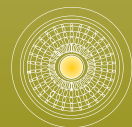
Page 14



Multi adaptable hole cutout



IES



Mono Lens

NATA

Accredited



Anti Rip Retention Springs



Tilt Adjustable

DLK13 13W

The NEW DLK-13 range of LED downlights are designed for retro fit or new installations. This is the perfect one to one replacement for traditional halogen lamps. Using a contemporary satin white adjustable frame with a special adaptor ring makes this down light fit into cutouts as small as Ø80mm through to Ø90mm.

The DLK incorporates the latest SHARP COB (Chip on board) LED which is then matched with a specifically designed heat sink to disperse heat from the LED. All this is then matched perfectly with a fully mains dimmable LED driver complete with a flex and plug for easy installation.



Product Code: **EV-DLK13-WW**
 Order Code: **20500**
 Colour Temp: 3000K

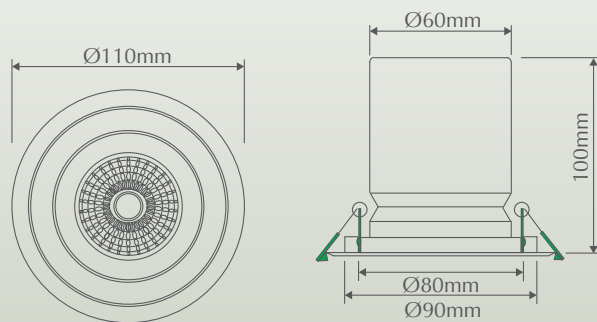
Product Code: **EV-DLK13-W**
 Order Code: **20501**
 Colour Temp: 5000K

Features:

- Mono Lens halogen style reflector
- New 13W COB chip gives greater lumen output than many other 15W-18W downlights
- Tilt adjustable satin white frame
- 80-90mm cutout (using adaptor ring)
- Dimmable with most dimmers (refer to table below)
- 1045lm Warm White
- 1095lm White
- CRI>83
- Better lux levels than other frosted cover LED models due to 60 degree Mono Lens
- 60° beam angle
- High light output model for areas that require more light, or to suit higher ceilings

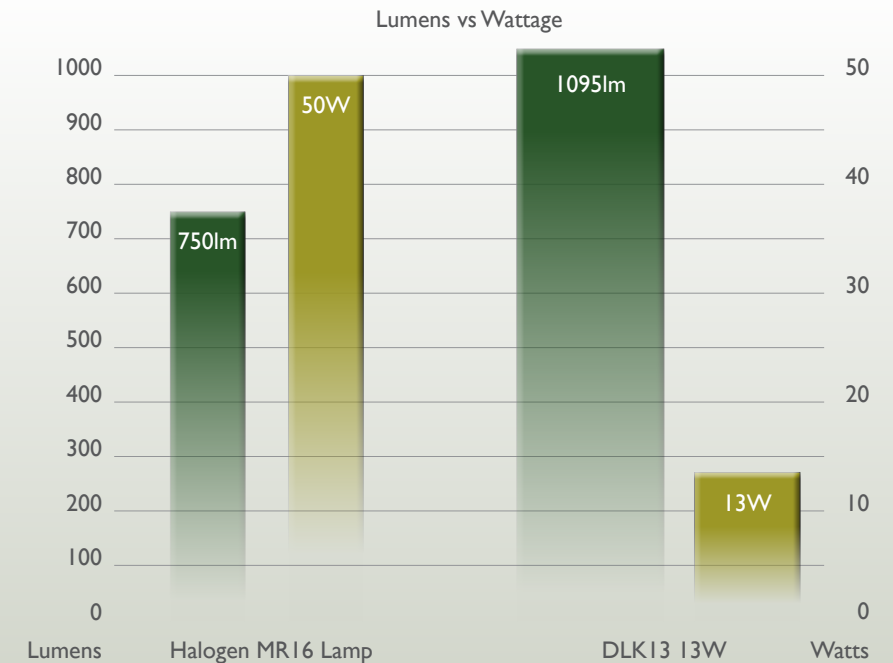


ENERGY SAVINGS SCHEME



Compatible Dimmers

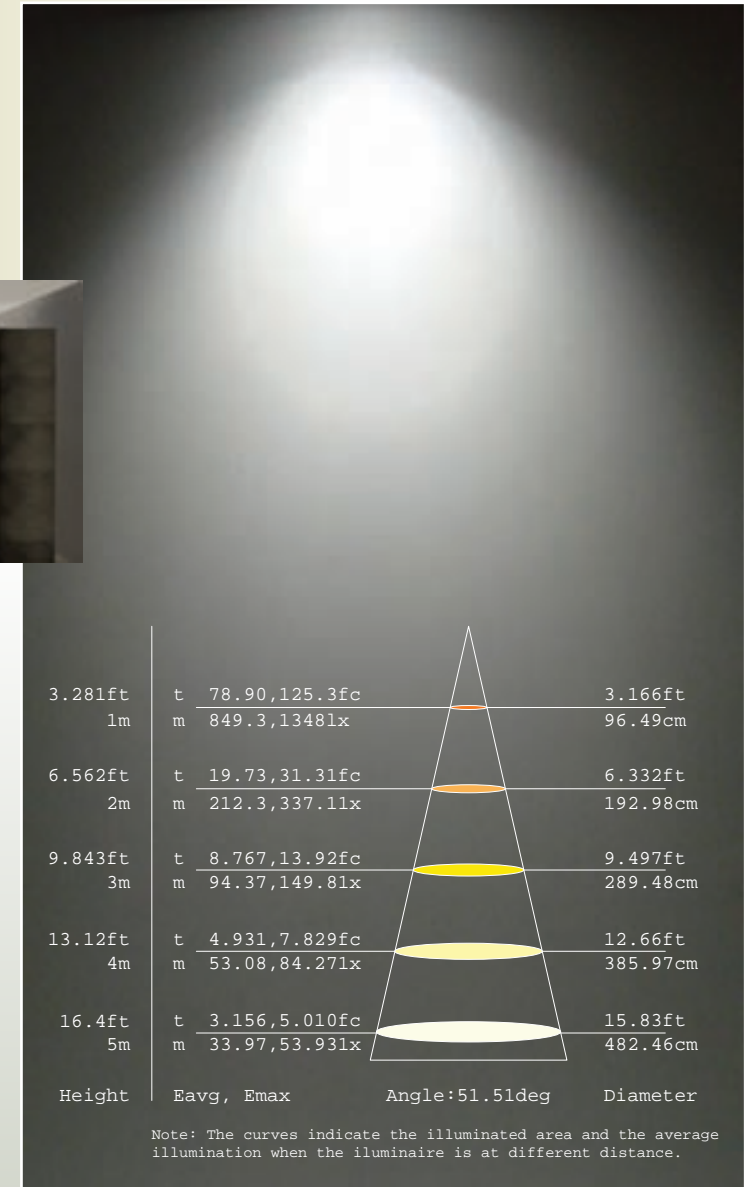
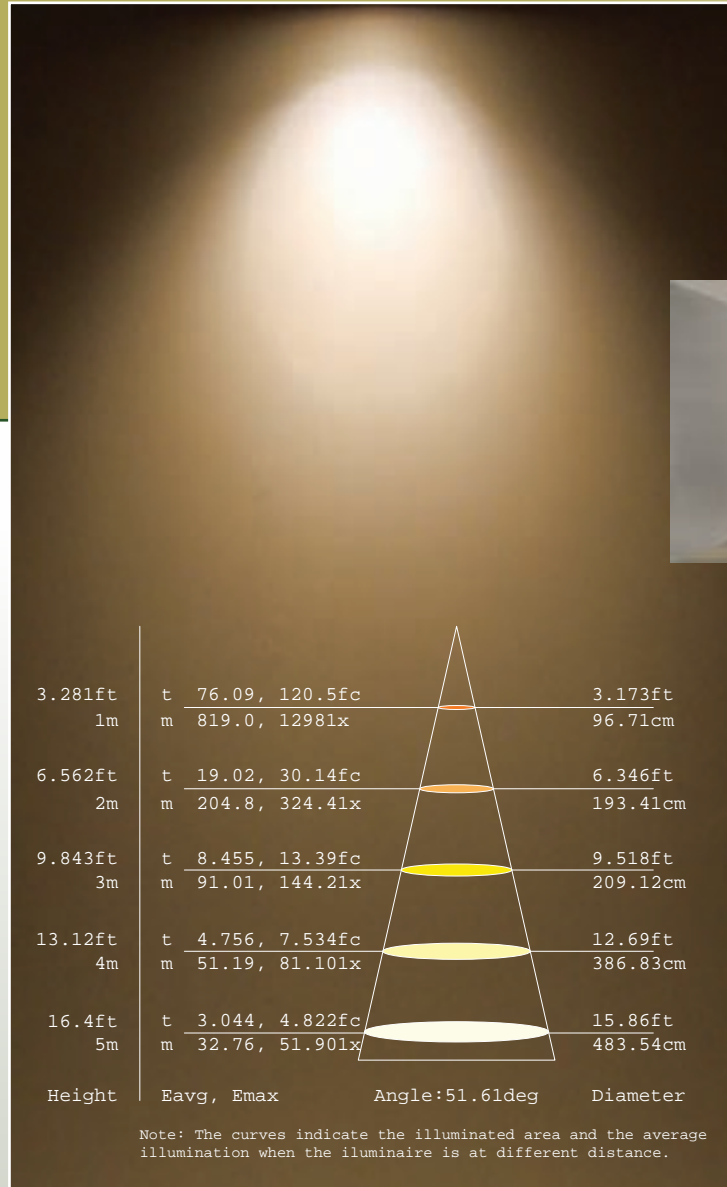
Clipsal - Leading edge	✗
Clipsal - Trailing edge	✓
Clipsal - Universal	✓
Clipsal C-Bus-trailing edge	✓
HPM - Leading edge	✓
HPM - Trailing edge	✗





Warm White 3000K

White 5000K



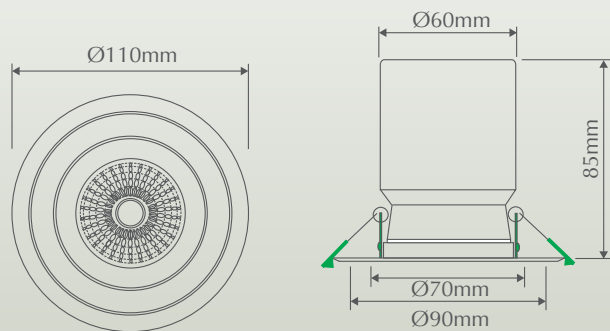
DLK10 10W

The NEW DLK-10 range of LED downlights are designed for retro fit or new installations. Using a contemporary satin white adjustable frame with a special adaptor ring makes the down light fit into cutouts as small as Ø70mm through to Ø90mm cutouts.

The DLK incorporates the latest SHARP COB (Chip on board) LED which is then matched with a specifically designed heat sink to disburse heat from the LED. All this is then perfectly matched with a fully mains dimmable LED driver complete with a flex and plug for easy installation.



ENERGY SAVINGS SCHEME



Product Code: **EV-DLK10-WW**
 Order Code: **20496**
 Colour Temp: 3000K

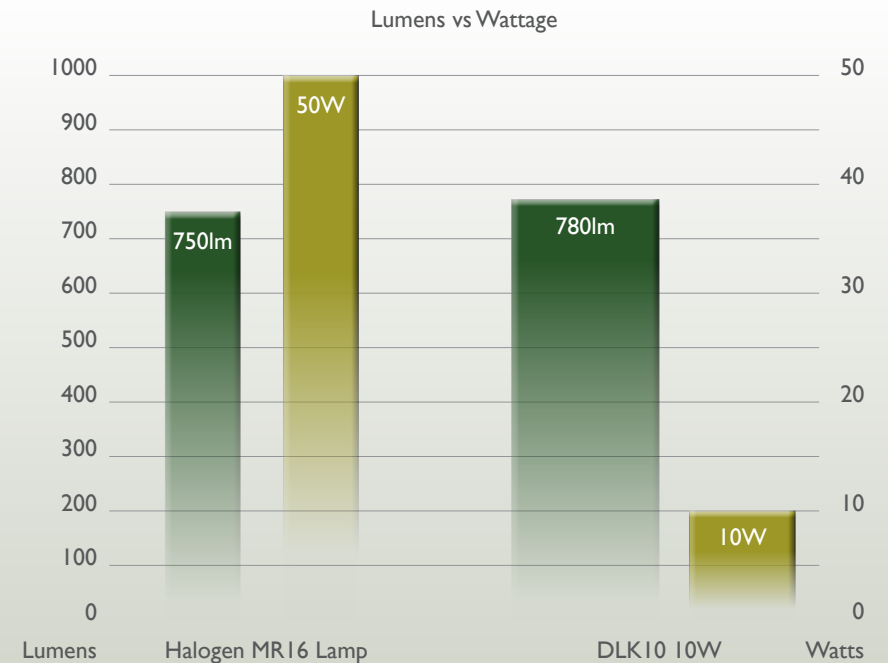
Product Code: **EV-DLK10-W**
 Order Code: **20497**
 Colour Temp: 5000K

Features:

- Mono Lens halogen style reflector
- New 10W COB chip gives greater lumen output than many other 13W downlights
- Tilt adjustable satin white frame
- 70-90mm cutout (using adaptor ring)
- Dimmable with most dimmers (refer to table below)
- 650lm Warm White
- 780lm White
- CRI>83
- Better lux levels than other frosted cover LED models due to 60 degree Mono Lens
- 60° beam angle
- Cost effective alternative to other LEDs

Compatible Dimmers

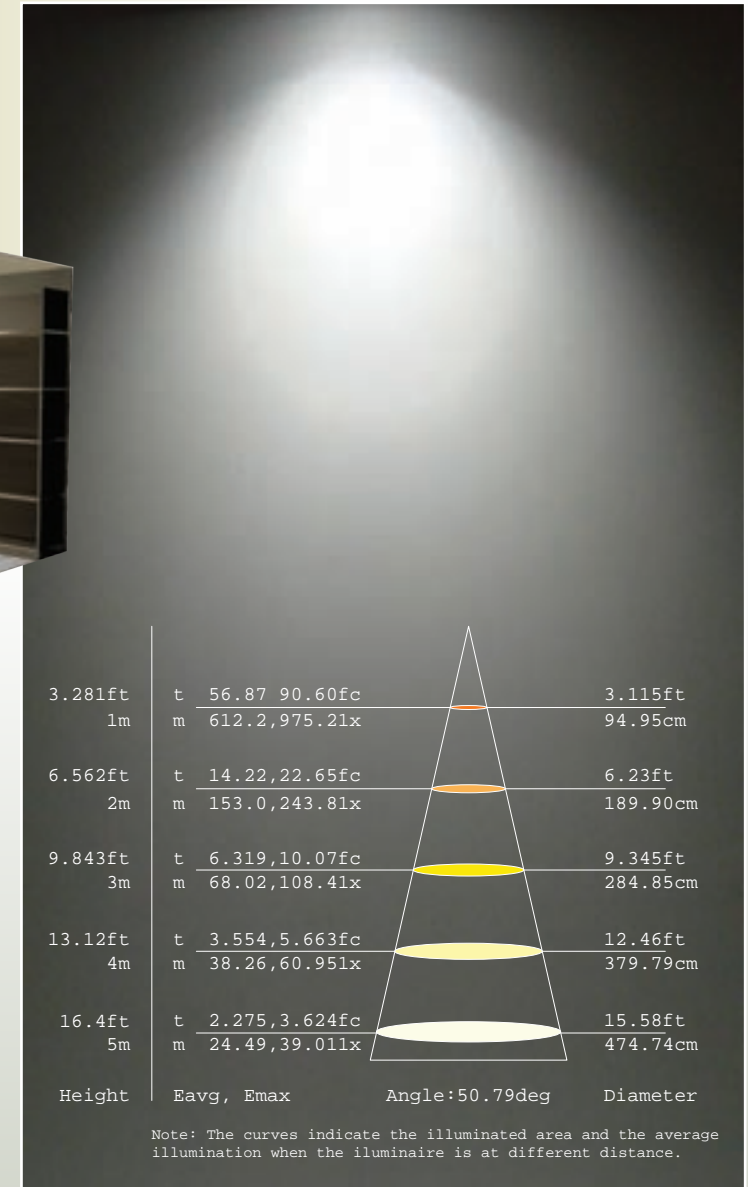
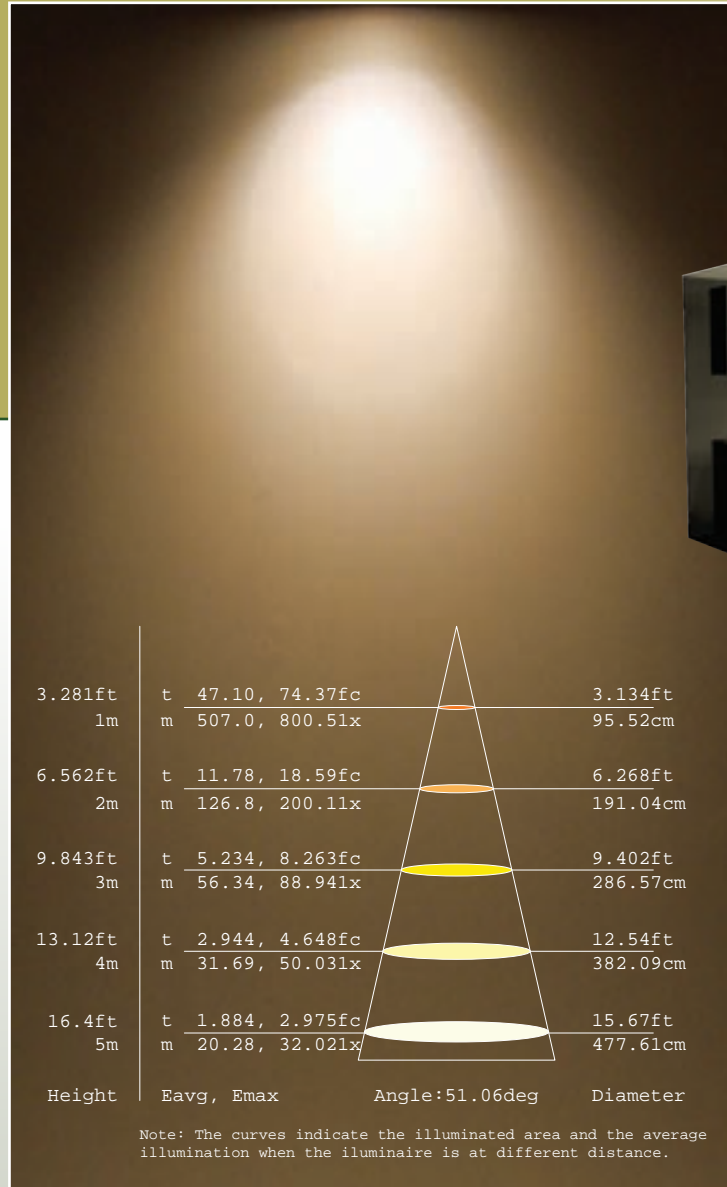
Clipsal - Leading edge	✗
Clipsal - Trailing edge	✓
Clipsal - Universal	✓
Clipsal C-Bus-trailing edge	✓
HPM - Leading edge	✓
HPM - Trailing edge	✗





Warm White 3000K

White 5000K



RETRO10 10W

Introducing the NEW RETRO10 range of LED lamp and dimmable driver. The RETRO10 is specifically designed as a replacement for your traditional halogen lamps in most applications. It's as easy as removing the standard MR16 lamp and transformer and replacing it with the NEW RETRO10 lamp and LED driver.

Featuring the NEW Mono lens, the RETRO10 will look almost exactly the same as what you have just replaced. The RETRO10 incorporates the latest SHARP COB (Chip on board) LED which is then matched with a specifically designed heat sink to disburse heat away from the LED. All this is then perfectly matched with a fully mains dimmable LED driver complete with flex and plug for easy installation.



Product Code: **EV-RETRO10-ML-WW**
 Order Code: **20490**
 Colour Temp: 3000K

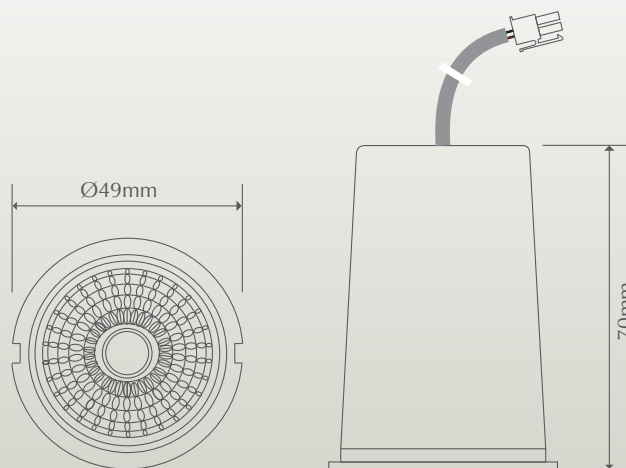
Product Code: **EV-RETRO10-ML-W**
 Order Code: **20491**
 Colour Temp: 5000K

Features:

- Mono Lens halogen style reflector
- New 10W COB chip gives greater lumen output than many other 13W downlights
- Supersedes RETRO12 – Higher light output and lower wattage, with new Mono Lens (halogen style reflector optics)
- Suits most halogen MR16 frames (frame not included)
- Dimmable with most dimmers (refer to table below)
- 575lm Warm White
- 700lm White
- CRI>83
- Better lux levels than other frosted cover LED models due to 60 degree Mono Lens
- Cost effective alternative to other LEDs

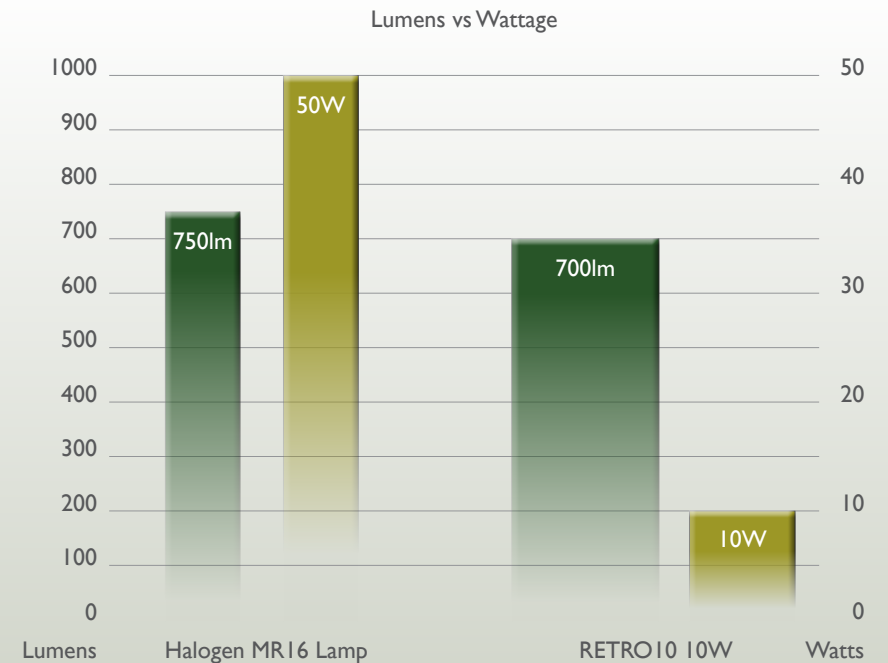


ENERGY SAVINGS SCHEME



Compatible Dimmers

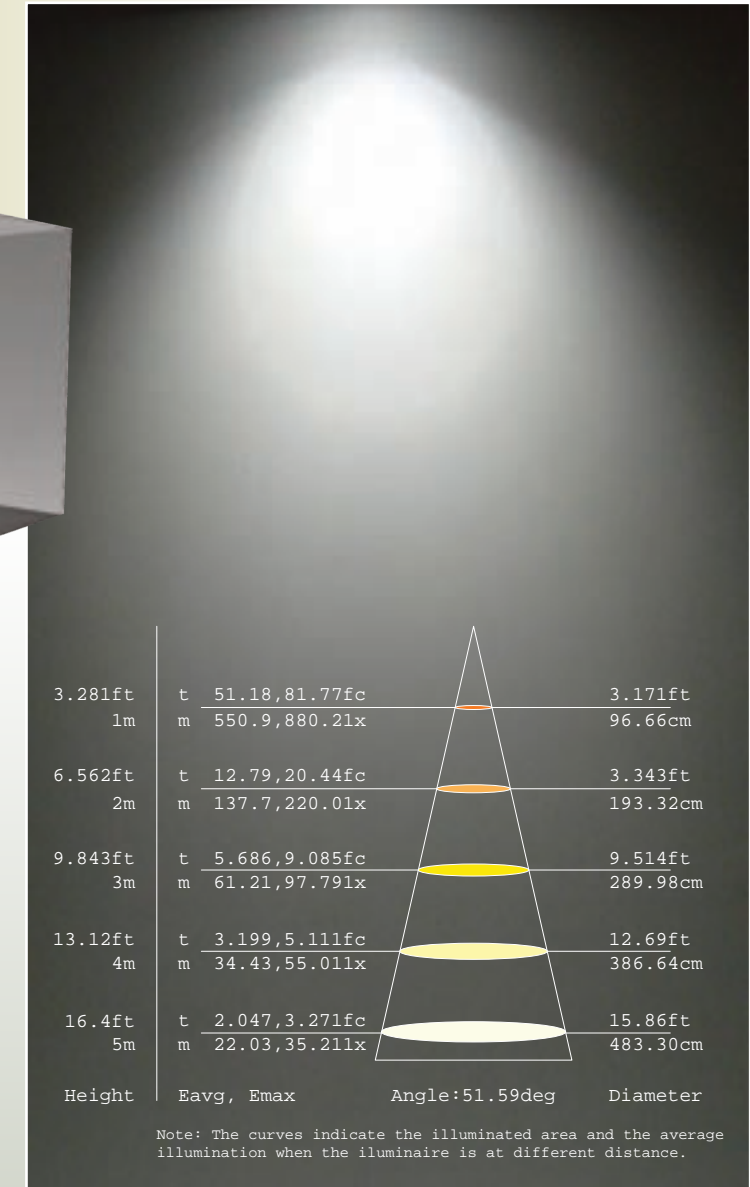
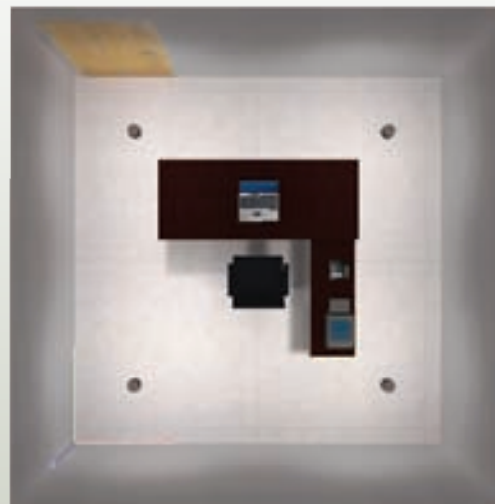
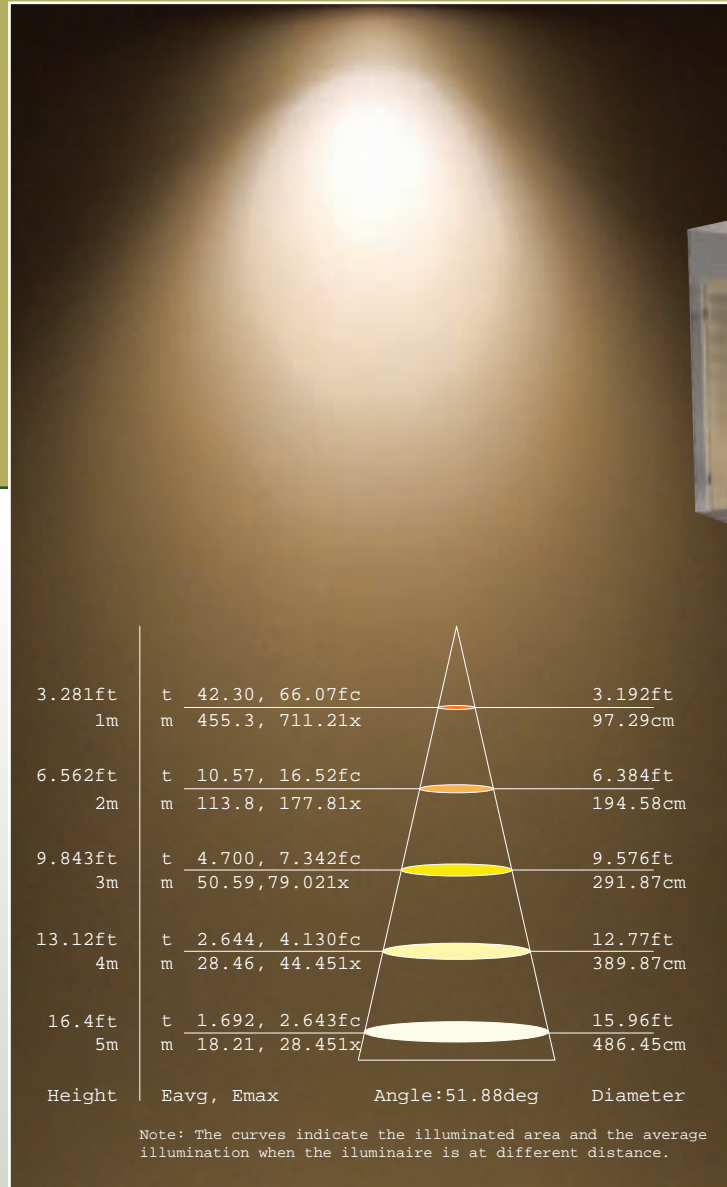
Clipsal - Leading edge	✗
Clipsal - Trailing edge	✓
Clipsal - Universal	✓
Clipsal C-Bus-trailing edge	✓
HPM - Leading edge	✓
HPM - Trailing edge	✗





Warm White 3000K

White 5000K



GUI10 6W Dimmable

Introducing the NEW MONO lens range of GU10 lamps. The MONO lens GU10 lamp is specifically designed as a replacement for your traditional halogen 240V lamps. It's as easy as removing the standard GU10 lamp and replacing it with the NEW MONO lens GU10 lamp. The NEW Mono lens will look almost exactly the same as what you have just replaced.

The MONO GU10 lamp incorporates the latest SHARP COB (Chip on board) LED which is then matched with a specifically designed heat sink to disburse heat away from the LED. The Mono lens GU10 is also fully mains dimmable with most leading brands of dimmers. This is the perfect lamp for areas where light levels are not critical or where a high quality budget lamp is required.

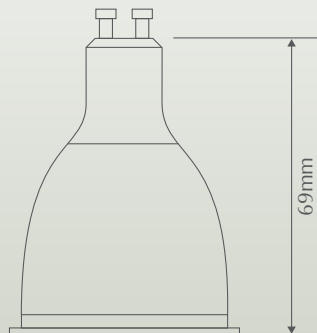
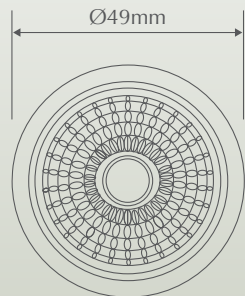


Product Code: **EV-GU10-ML-6W-D-WW**
 Order Code: **20479**
 Colour Temp: **3000K**

Product Code: **EV-GU10-ML-6W-D-W**
 Order Code: **20480**
 Colour Temp: **5000K**

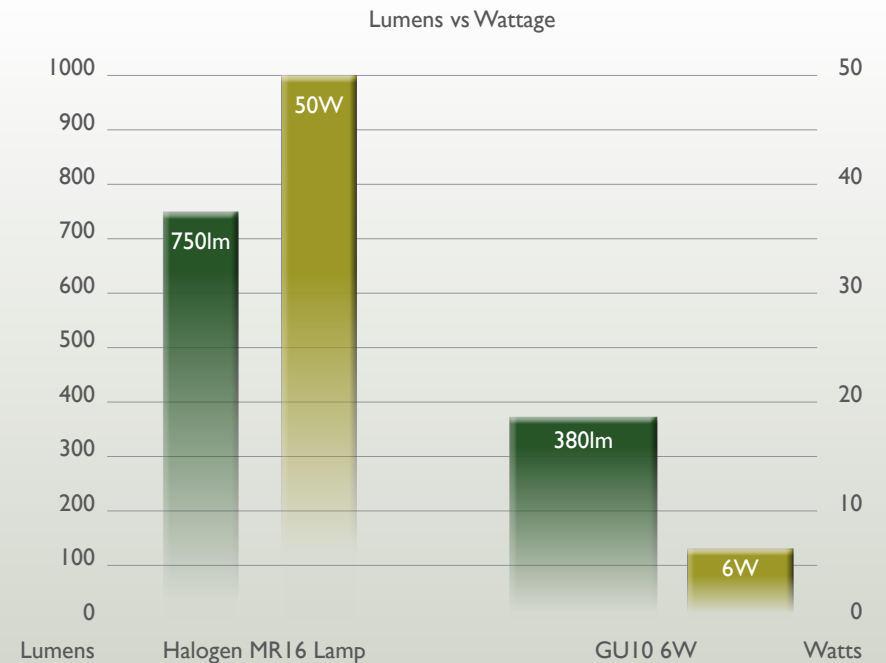
Features:

- Mono lens halogen style reflector
- Dimmable with most dimmers (refer to table below)
- Suits most GU10 frames - 240VAC
- 350lm Warm White
- 380lm White
- CRI>83
- Premium quality lamp at budget price
- Suitable for areas where light levels are not critical
- 60° Beam angle



Compatible Dimmers

Clipsal - Leading edge	✗
Clipsal - Trailing edge	✓
Clipsal - Universal	✓
Clipsal C-Bus-trailing edge	✗
HPM - Leading edge	✓
HPM - Trailing edge	✗





EV-MR16

Introducing the NEW MONO lens range of MR16 lamps. The MONO lens MR16 lamp is specifically designed as a replacement for your traditional halogen lamps. It's as easy as removing the standard MR16 lamp and transformer and replacing it with the NEW MONO lens MR16 lamp and LED driver. The NEW Mono lens will look almost exactly the same as what you have just replaced.

The MONO MR16 lamp incorporates the latest SHARP COB (Chip on board) LED which is then matched with a specifically designed heat sink to disburse heat away from the LED. This is the perfect lamp for areas where light levels are not critical or where a high quality budget lamp is required.

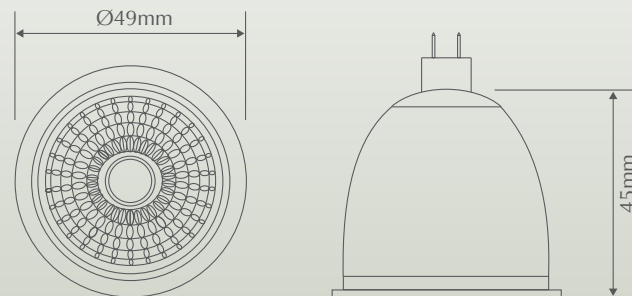


Product Code: **EV-MR16-ML-6W-WW**
 Order Code: **20475**
 Colour Temp: **3000K**

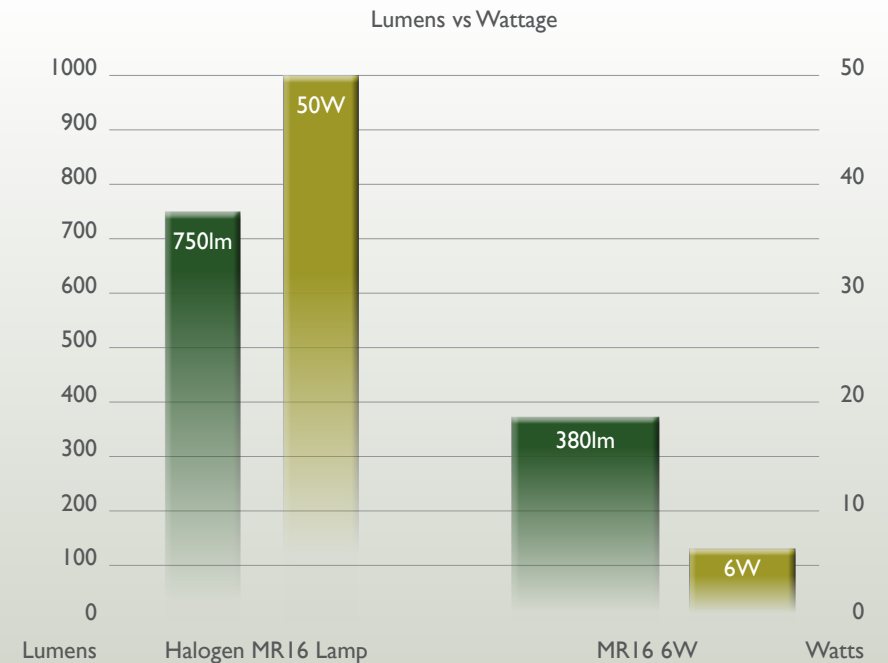
Product Code: **EV-MR16-ML-6W-W**
 Order Code: **20476**
 Colour Temp: **5000K**

Features:

- Mono lens halogen style reflector
- Suits most MR16 frames
- 350lm Warm White
- 380lm White
- CRI>83
- Premium quality lamp at budget price
- Suitable for areas where light levels are not critical
- 60° Beam angle
- 12V DC Power Input
- Recommended DM1210 LED driver



14







Single Chip Mono Lens MR16



New South Wales

Head Office:
Domus Lighting
29-31 Richland Street, Kingsgrove
Sydney, NSW 2208, Australia
Phone: (02) 9554 9600
Sales Fax: (02) 9554 9433
Admin Fax: (02) 9554 9061

www.domuslighting.com
sales@domuslighting.com

Queensland

Domus Lighting
Unit 1 / 61-71 Nestor Drive, Meadowbrook
Brisbane, QLD 4131, Australia
Phone: (07) 3200 2222
Sales Fax: (07) 3200 7777

www.domuslighting.com
sales@domuslighting.com

Western Australia

Lanark Trading
7 Pitino Court, Osborne Park
Perth, WA 6017, Australia
Phone: (08) 9446 8922
Sales Fax: (08) 9446 8498

www.lanarktrading.com.au
lanark@lanarktrading.com.au

Member of:



Distributed by:

