

Brilliant

**LIGHTING & AIR MOVEMENT
2014**



Brilliant



ECOBrilliant



Brilliant Catalogue

TABLE & FLOOR



CEILING & WALL



PENDANTS



DOWNLIGHTS & ACCENT



SPOTLIGHTS



FANS & ACCESSORIES



BATHROOM & VENTILATION





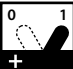



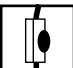







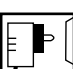
EXTERIOR & SECURITY

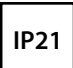











GLOBES (LAMPS)

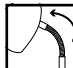



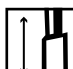
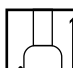
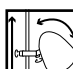
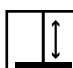



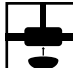
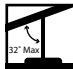

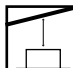

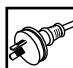
Brilliant Catalogue Icon Guide




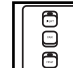
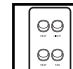
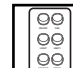



-  for indoor use only
-  for indoor and outdoor use
-  one way on/off switch
-  two way on/off switch
-  dial on/off switch
-  foot operated on/off switch
-  in-cord on/off switch
-  one step on/off touch sensor
-  three step on/off touch sensor
-  dimmable
-  not dimmable
-  earth terminal
-  integrated transformer or integrated ballast
-  electronic transformer or electronic ballast
-  plug-in transformer













-  protected against drops of condensed water
-  protected again objects larger than 1mm and splashproof
-  protected again objects smaller than 1mm and splashproof
-  dustproof and splashproof
-  dustproof and protected against water jets
-  dustproof and protected against temporary submersion up to 1000mm

-  no electrician required
-  solar powered
-  weather resistant
-  reversible for use all year round

-  flexible neck
-  adjustable head
-  angle poise design
-  cantilever design
-  telescopic design
-  height adjustable
-  for indoor use only
-  adjustable pendant height
-  adjustable downlight height
-  manoeuvrable spots

-  light adaptable fan or light kit for fan
-  ceiling fan installation rake (32 degrees)
-  hole cut-out
Can be round, square or rectangle
-  clearance between top of unit and underside of roof
-  ceramic heating element
-  two or three fin flex plug

-  batteries included
-  remote control included
-  wall control (3-speed) included
-  wall control (3-way) included
-  wall control (4-way) included
-  wall control (6-way) included
-  1.5m duct kit included
-  exterior vent included
-  mounting screws included

-  with motion detector
-  detection angle 90°
-  detection angle 100°
-  detection angle 110°
-  detection angle 140°
-  detection angle 150°
-  detection angle 180°
-  detection angle 210°
-  detection range
-  adjustable on/off time
-  adjustable lux sensor (dusk to dawn)
-  manual override switch

Brilliant Contact Information

ABN: 37 006 203 694
Address: 956 Stud Road (off Kingsley Close), ROWVILLE, 3178
Postal: PO Box 2529

SALES HOTLINE

Phone: 1800 817 754
Phone (Vic): 03 9765 2555
Facsimile: 03 9763 0277
Email: sales@brilliant-lighting.com.au
Web: www.brilliantlighting.com.au

WA - Red Box Agencies Pty Ltd

Unit 1, 30 Walters Drive, OSBOURNE PARK, 6017

Phone: 08 9242 7355
Fax: 08 9242 7209
Email: sales@redboxagencies.com.au
Web: redboxagencies.com.au

Delivery Terms & Conditions

DELIVERY TERMS

Prices include Free Into Store (F.I.S.) delivery (subject to Minimum Order Value "MOV") within capital cities and to Regional centre except for NT and regional WA Delivery charges apply to deliveries to NT and regional WA or are chargeable to the Purchaser's nominated carrier account. A surcharge applies to orders under the Minimum Order Value (MOV) or the Purchaser may nominate their own carrier and costs will be charged to the Purchaser's account.

AREA	MOV	SURCHARGE (IF LESS THAN MOV)
Metropolitan	\$150.00	\$25.00
Country/Regional	\$200.00	\$25.00
Far North Queensland	\$400.00	\$50.00

The above does not apply to back orders. Where Brilliant is unable to supply an order first time in full. Brilliant will freight the remainder of the order, once the goods are available, Free Into Store.

SHORTAGES

Must be reported within 48 hours from receipt of goods, otherwise they will not be claimable.

PRICING

Claims for incorrect pricing must be reported to Brilliant writing within 14 days from receipt of goods detailing invoice number & item codes, claims received thereafter may be rejected.

RETURNED GOODS

The customer must present proof of purchase. Where applicable, proof must be provided that qualified electricians have installed product(s). Brilliant reserves the right to repair, replace or credit a warranty at its discretion. Returns will not be allowed without a reason acceptable to Brilliant and first obtaining a "Return Authority ("RA") Number from your state office or representative. Invoice number must be quoted. Faulty or Damaged goods can only be returned to Brilliant via a Brilliant representative or Brilliant nominated carrier. Return freight charges for faulty or damaged goods are to Brilliant's account. Brilliant will not accept any returned stock unless accompanied by an "RA" number. The "RA" number must be marked clearly on the outside of all returned cartons. If you return stock without an "RA" number then Brilliant will not be responsible for freight charges. Once you have the "RA" number, the returned stock must be properly packed if possible in their original boxes. Please do not pack several items in one box. All other return freight charges to the Purchaser's account. Return goods subject to 20% restocking fee.

ON-FORWARDING

When you nominate your own carrier to transport a delivery for any part of the journey this is known as "On Forwarding". The On Forwarding carrier is your agent. Accordingly, when we deliver the goods to your "On Forwarder" it is considered to be delivered to you. All conditions of delivery will apply to that point. It is up to you to ensure that your agent acts in accordance with the delivery requirements mentioned earlier and checks the number and condition of the carton when they take receipt of them. Brilliant would greatly appreciate it if you would follow these procedures whenever a claim arises. This will ensure that your returns, repairs and delivery claims are processed quickly and easily. Just as importantly it will save unnecessary paperwork and freighting of goods, which will result in a cost saving for everyone.

DAMAGED GOODS

If any cartons show obvious signs of damaged i.e crushed, rattling contents, it should be checked immediately and the damage noted on the consignment note. All consignments should be opened and inspected within 48 hours of receipt and any damage advised to our dispatch within that time in order to obtain a "Return Authority Number".

DESCRIPTIVE MATTER AND IMAGES

All images specifications, drawings, particulars, weights and dimensions and all publicity and promotional material issued by Brilliant is intended to be illustrative only. None of the foregoing nor any particulars or representations contained therein shall form part nor deemed to have been incorporated in any contract with Brilliant. Brilliant reserves the right to change product dimensions and technical details at any time without notice.

INTERPRETATION, LAW AND FORUM FOR DISPUTES

The contract arising from the acceptance of the Purchaser's order shall be governed in all respects by and construed in accordance with the law of the State of Victoria. Unless precluded by contract in these conditions the singular shall include the plural and vice versa. Any reference to "Purchaser" includes all servants, agents and employees of the Purchaser.

PRICES

Prices exclude GST. GST will be charged at time of invoicing. All prices are subject to change without notice. Globes are not included in prices unless otherwise specified.

Please note that all information quoted in this document is correct at the time of printing, however, may be subject to change without notice.

Brilliant Trading Terms & Conditions

IN CONSIDERATION OF Brilliant Lighting (Aust) Pty Ltd, A.B.N. 37 006 203 694, (hereinafter referred to as 'the Company') providing goods and/or services to the party or parties (**hereinafter referred to as "the Customer"**) named on the invoice annexed to these conditions, the Customer acknowledges and agrees:

- These terms apply to and form part of any contract between the Company and the Customer and are effective from the date of acceptance by the Customer and may be amended or superseded from time to time by notice given by the Company by any means.
- Liability for accounts held in more than one name shall be joint and several.
- The Customer acknowledges and agrees that the following applies to and forms part of any contract for the supply of goods by the Company and that these General Terms and Conditions take precedence over any terms and conditions which may be contained in any document provided by the Customer.
- Credit Account Customers acknowledge that the sale represented by this invoice may be subject to a Security Agreement pursuant to the Personal Property Security Act 2009 (PPSA) as described in full on their Credit Application and Security Agreement.

"Collateral" and/or "Goods" shall mean all goods and/or services and/or intellectual property supplied by the Company to the Customer, or ordered by the Customer but not yet supplied, and includes goods described on any quotation, invoice, purchase order or any other document including any recommendations and advice.

"Price" shall mean the cost of the Collateral as referred to in the Company's price lists and / or arrangements and shall be subject to change from time to time without notice.

PAYMENT

Credit Account Customers are required to pay all amounts for purchases, in full and with no deduction or set-off, no more than 30 days from the end of the month during which any given purchase is made.

In the event of a dispute, the complete undisputed portion of the account must be paid in accordance with the Payment Terms.

INTEREST

Interest on overdue accounts may be charged at a rate of 1.5% per month and, further, the Customer expressly undertakes to pay all such interest.

COLLECTION EXPENSES

Should it be considered necessary by the Company to incur legal and/or other expenses, including any such expenses to any debt collection agency, in obtaining or attempting to obtain payment of any amount due by the Customer, the Customer shall be liable for such expenses. The Customer further acknowledges that those expenses will be calculated on a commission basis at a percentage rate of up to 25% of the amount owing and expressly agrees to pay those expenses irrespective of the amount of work actually performed by the agency. Amounts received by the Company may be applied first against interest, charges and expenses.

DISHONORED CHEQUES

The Customer shall be liable for, and expressly undertakes to pay, all fees (including an Administration Fee in an amount to be set from time to time by the Company) for all costs incurred as a result of any cheque or any electronic banking transaction being dishonored for whatever reason.

RETENTION OF TITLE AND RIGHT OF ACCESS & PPSA

Title in all the collateral supplied shall remain vested in the Company and shall not pass to the Customer until all monies owing to the Company by the Customer together with all collection, repossession and / or legal costs incurred, have been paid in full. Until title passes to the Customer, the Customer acknowledges that these conditions create, in the Company's favor, a PPSA purchase money security interest in the collateral and any proceeds of their sale. The Company shall retain an equitable interest in the collateral, whether separate or co-mingled or accessioned, which shall be stored in such a manner as to be clearly identifiable as the property of the Company, until title has passed to the Customer and further, upon re-sale of the collateral by the Customer, the Company shall have the right to trace any proceeds of sale to the extent that they relate to its collateral which are incorporated.

If payment has not been received, the Customer will transfer to the Company all of its rights in respect of the sale price.

The Company may demand at any time until title has passed to the Customer that the Customer returns the collateral or any part of them.

In the event that the Customer defaults in the payment of any monies owing, the Company and its employees or agents shall have the right to enter without notice upon the Customer's premises or any other premises where the goods are known to be stored to repossess the goods and for this purpose the Customer shall grant reasonable access rights and the Company, its employees or agents shall be entitled to do all things required to secure repossession. Notwithstanding the above, risk in the collateral shall pass to the Customer upon delivery to the Customer or its agent or a carrier nominated by the Customer or upon pick-up by the Customer.

LIABILITY

The Company shall not be liable for any loss or damage (including consequential loss or damage) arising from delay in completing the services or failure to complete the services due to circumstances beyond its control. The liability of the Company to the Customer for any reason related to the performance of goods under this agreement shall be limited to the replacement or repair of the goods or the amount paid or payable by the Customer in respect of the particular goods.

JURISDICTION

This agreement shall be governed by and construed in accordance with the laws of Victoria and, where applicable, the Commonwealth of Australia, and the Customer submits to the non-exclusive jurisdiction of the courts of Victoria.

GENERAL

The invalidity or unenforceability of any provision of these Terms and Conditions shall not affect the validity or enforceability of the remaining provisions. Clerical errors are subject to correction and do not bind the Company.

Headings are for ease of reference only and do not form part, or affect the interpretation, of these Terms and Conditions.

The Customer acknowledges that all purchases are made relying solely upon the Customer's own skill and judgment.

WARRANTIES

- Statutory Government warranty applies to products used in residential household applications, unless otherwise specified.
- A 3 month warranty applies to products used in non-residential, commercial or industrial applications

All Brilliant products are warranted to be free from defects in workmanship and materials provided the products are used with a voltage supply within the range the product is designed to operate, are installed correctly by qualified personnel and have not been subject to misuse. Proof of purchase must be presented by the customer. Where applicable, proof must be provided that products have been installed by a qualified electrician. Brilliant's liability under this warranty is limited to repair or replacement of faulty components parts of Brilliant products during the warranty period without charge provided the Purchaser returns the product to the place of purchase. The warranty applies to the operation and electrical integrity of the product. This warranty does not apply to light sources or globes, whether supplied separately or as part of the product. It does not cover scratch marks or discolouration in the surface finish and mechanical damage sustained after purchase. Brilliant will not be liable for charges incurred by the Purchaser for rectification, de-installation unless the charges have been previously approved in writing by Brilliant.

Exclusions and Limitations

The only warranty Brilliant gives in relation to its products is the one set out above. Brilliant excludes all other representations, warranties, conditions and promises,

Including:

- Any warranty or condition in respect of the quality, fitness, suitability, state or condition of Brilliant's products
- Any warranty or condition implied by law, unless Brilliant is prevented from excluding it by law. Where by law Brilliant is prevented from excluding an implied warranty or condition but is permitted to limit its liability for a breach of the warranty or condition, Brilliant does so limit its liability in respect to replacing the products.



TABLE & FLOOR



ALTO

LED TASK LAMP



LONG LIFE LED
5W
INSIDE

12V

5W

Cool White
5000°K

SMD LED

0 1

+

Modern and stylish 5W LED task lamp with a flexible neck and a base mounted on/off switch. 3 Year Warranty.



Code:	100290/..
06 BLACK	 9 312641 906025 >
13 BRUSHED STEEL	 9 312641 310921 >



SASSY

LED CLIP LAMP



180
LUMENS

240V

3W
180lm

Warm White
3000°K

COB LED

Modern 3W LED clip lamp with strong grip clip and goose-style neck. 3-Year Warranty.



Code:	17993/..
05 WHITE	 9 312641 179931 >
06 BLACK	 9 312641 179948 >
13 BRUSHED CHROME	 9 312641 179955 >



ALTRANI

LED TASK AND FLOOR LAMPS



240V	5W	Cool White 5000°K	SMD LED			
------	----	----------------------	---------	--	--	--

Modern 5W LED task and floor lamps featuring smooth and sleek lines and a flexible arm and a base mounted on/off switch.
3-Year Warranty.

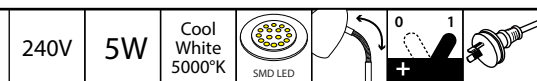
Task:	100223/..
13 BRUSHED STEEL	9 312641 313229 >
Floor:	100476/..
13 BRUSHED STEEL	9 312641 476139 >













AREZZO

LED TASK & FLOOR LAMPS



Beautifully crafted 5W LED task and floor lamps with flexible neck. The task comes in six modern and stylish colours with the floor available in traditional black and brushed steel. 3 Year Warranty.

Code:	100226/..	100475/..
01 RED	 9 312641 106227 >	
03 BLUE	 9 312641 306221 >	
04 GREEN	 9 312641 426226 >	
05 WHITE	 9 312641 516224 >	
06 BLACK	 9 312641 606222 >	 9 312641 475606 >
13 BRUSHED STEEL	 9 312641 316220 >	 9 312641 475132 >





AZURE

LED DESK & FLOOR LAMP



240V	3W 180lm	6W 300lm	Warm White 3000°K			
	17985	17989				

Modern clean design with adjustable goose neck to manoeuvre light where required.
 The desk lamp features 30 x SMD LED chips with an output of 180 lumens.
 The floor lamp features 48 x SMD LED chips with an output of 300 lumens.
 3-Year Warranty.

Code:	17985/..	17989/..
05 WHITE		
06 BLACK		
13 BRUSHED CHROME		





KANDYCANE

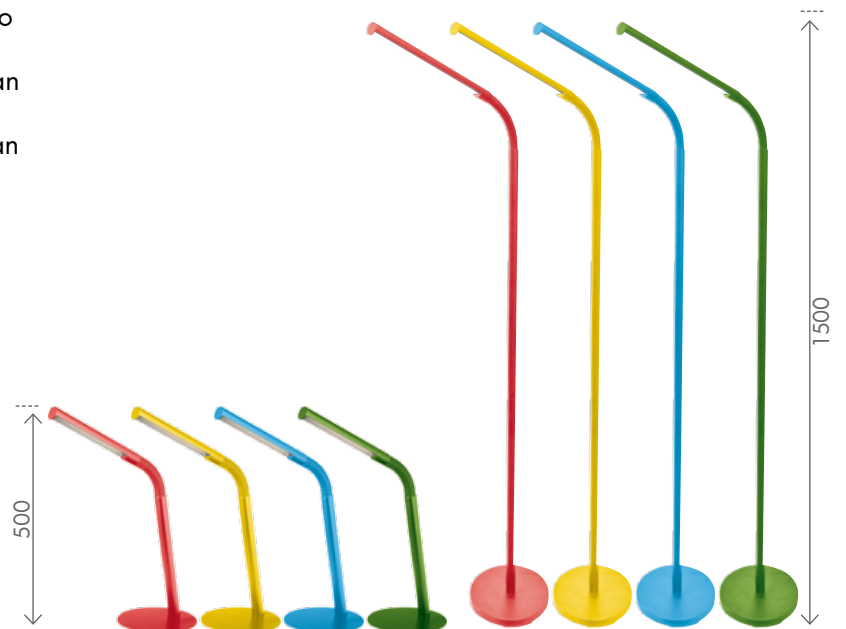
LED DESK & FLOOR LAMP



240V	3W 180lm	6W 300lm	Warm White 3000°K			
	17985	17989				

Modern clean design with adjustable goose neck to manoeuvre light where required.
 The desk lamp features 30 x SMD LED chips with an output of 180 lumens.
 The floor lamp features 48 x SMD LED chips with an output of 300 lumens.
 3 Year Warranty.

Code:	18210/..	18214/..
01 WATER MELON		
02 YELLOW		
03 BLUE		
04 GREEN		





LOLLI

LED DESK LAMP



240V
3W 200lm
Warm White 3000°K
COB LED
0 1

Traditionally styled 3W LED task lamp with flexible arm, matte rubber finish and a base mounted on/off switch.
3-Year Warranty.



Code:	18135/..
01 WATERMELON	9 312641 181484 >
02 YELLOW	9 312641 181477 >
03 BLUE	9 312641 181460 >
04 GREEN	9 312641 181354 >



POLLY

LED DESK LAMP



240V
3W 220lm
Warm White 3000°K
COB LED
0 1

Modern 3W LED desk lamp with a fully adjustable head.
3-Year Warranty.



Code:	17981/..
03 BLUE	9 312641 179832 >
04 GREEN	9 312641 179849 >
05 WHITE	9 312641 179825 >
06 BLACK	9 312641 179818 >



ROVE LED

DESK & FLOOR LAMP



12V	3W 230lm	5W 330lm	COB LED	Warm White 3000°K			
	18080	18083					

Traditional style desk and floor lamps with long life energy saving LED technology. Strong construction includes 2 point adjustable arm.
3 Year Warranty.



Code:	18080/..	18083/..
05 WHITE	9 312641 180807 >	9 312641 180838 >
06 BLACK	9 312641 180814 >	9 312641 180845 >
13 BRUSHED CHROME	9 312641 180821 >	9 312641 180852 >



SUZIE

LED CLIP, DESK & FLOOR LAMP



240V	3W 210lm	6W 450lm	Warm White 3000°K				
	18312 18319	18317					

Modern metal desk lamp featuring a fully integrated LED with diffuser. Also includes adjustable goose neck and in-line on/off switch. 3 Year Warranty.

Code:	18319/..	18312/..	18317/..
Type:	Clip	Desk	Floor
02 YELLOW			
03 BLUE			
04 GREEN			
05 WHITE			
06 BLACK			








CARA

LED DESK & FLOOR LAMPS



Desk/Floor/Reading	Uplighter only	Mother only
--------------------	----------------	-------------

Elegant chrome desk and floor lamp series complete with energy saving LED technology. Each light provides a bright light whilst using a fraction of the power of traditional lamps. The desk and floor lamps feature flexible necks. 3 Year Warranty.

Desk:	100442/..
15 CHROME	 9 312641 442158 >
Floor:	100441/..
15 CHROME	 9 312641 445111 >
M&C:	100443/..
15 CHROME	 9 312641 173434 >





BOB

FLOOR LAMP



- 240V
- 20W max
- EZY GFL
- [Lightbulb icon]
- [Adjustable neck icon]
- [Base icon]
- [Plug icon]

Conventional floor lamp with flexible neck and large domed metal head.
12 Month Warranty.



Code:	99760/..
13 BRUSHED CHROME	 9 312641 760139 >
22 ANTIQUÉ BRASS	 9 312641 760221 >



BOSTON

CLAMP LAMP



240V

50W max



GU10



GU10 CFL



LED GU10



Classic styled clamp or spring-loaded articulated desk lamp in a stunning brushed chrome finish. 12 Month Warranty.



Code:	97260/..
13 BRUSHED CHROME	



MIDGE

CLIP LAMP



240V

60W max



E14



CFL E14



Standard mini clip lamps with adjustable knuckle. 12 Month Warranty.



Code:	15201/..
09 BEIGE	
13 BRUSHED CHROME	



BRETTON

BANKERS LAMP



240V
60W max
E27
E27 CFL

Traditional bankers style lamp with classic alabaster glass shade and brushed steel finish.
12 Month Warranty.



Code:	100509/..
13 BRUSHED STEEL	9 312641 006473 >



DINO

ANGLE POISE TABLE LAMP



240V
13W max
E14 CFL

Elegant chrome table lamp featuring a spring-loaded fully adjustable articulated design.
12 Month Warranty.



Code:	100282/..
13 CHROME	9 312641 312826 >



JOY

DESK LAMP



240V

60W
max



Simple desk lamp with flexible neck and large head for greater light output.
12 Month Warranty.



Code:	99125/..
05 WHITE	9 312641 125051 >
06 BLACK	9 312641 125068 >
13 BRUSHED CHROME	9 312641 125136 >



OZZIE

DESK LAMP



240V

60W
max



Simple, everyday desk lamp with flexible neck.
12 Month Warranty.



Code:	99710/..
05 WHITE	9 312641 710059 >
06 BLACK	9 312641 710066 >

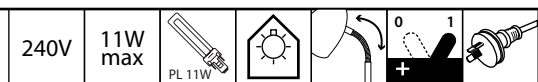






PODDY

FLUORESCENT DESK LAMP



Everyday fluorescent desk lamp with a handy flexible neck.
12 month Warranty.



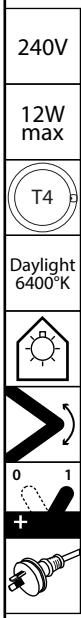
Code:	99190/..
04 GREEN	 9 312641 190042 >
25 BLUE	 9 312641 190257 >
45 WHITE	 9 312641 451907 >
46 BLACK	 9 312641 461906 >



OPTICA

MINI MAGNIFIER LAMP

All purpose magnifying lamp that is perfect for day to day use that features a powerful 90mm lens that offers a 3-diopter lens plus a 12-diopter lens for intricate activities.
12 Month Warranty.

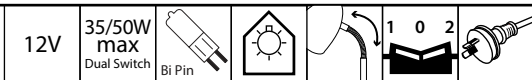


Code:	99201/..
55 WHITE	 9 312641 201557 >



MOBY

HALOGEN DESK & FLOOR LAMPS



Traditional halogen desk and floor lamps with a dual switching function allowing you to have the light on at full or half brightness.
12 Month Warranty.

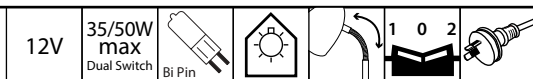


Code:	00405/..	00406/..
03 BLUE	9 312641 405030 >	9 312641 406037 >
04 GREEN	9 312641 405047 >	
11 SILVER	9 312641 405115 >	9 312641 406112 >
44 PINK		9 312641 406440 >



ROVE

HALOGEN DESK & FLOOR LAMP



Traditional halogen desk and floor lamps with a dual switching function allowing you to have the light on at full or half brightness.
12 Month Warranty.



460

Code:	00412/..	00418/..
05 WHITE	9 312641 412052 >	9 312641 418054 >
06 BLACK	9 312641 412069 >	9 312641 418061 >
13 BRUSHED CHROME	9 312641 412137 >	9 312641 418139 >
22 ANTIQUE BRASS	9 312641 412229 >	9 312641 418221 >

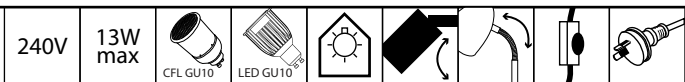


1540







SORRENTO ECO

ENERGY SAVING CLAMP, DESK & FLOOR LAMPS



Clip & 2-Lt Flex, Desk & Floor

Classically styled desk and floor series in a beautiful brushed chrome finish with modern decorative polished chrome highlights.
12 Month Warranty.

Clip:	25242/..
13 BRUSH CHROME	 9 312641 312420 >
Flex:	25243/..
13 BRUSH CHROME	 9 312641 313427 >
Desk:	25244/..
13 BRUSH CHROME	 9 312641 314424 >
1Lt-F:	25245/..
13 BRUSH CHROME	 9 312641 245131 >





AKIRA

TABLE & FLOOR LAMPS



Modern arc table and floor lamps finished in shiny polished chrome with an adjustable lamp head.
12 Month Warranty.

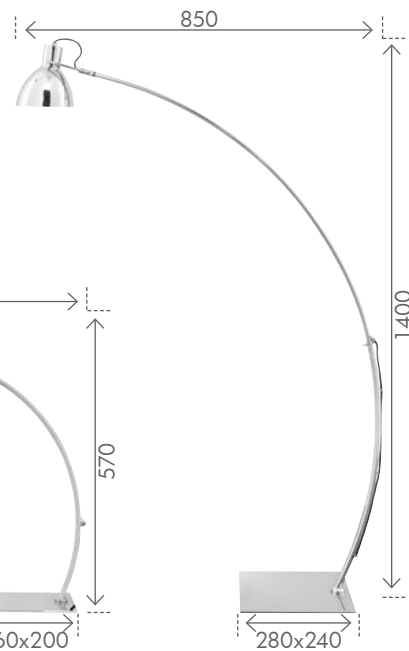
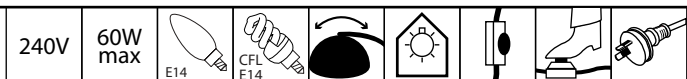


Table:	100397/..
15 CHROME	9 312641 397151 >
Floor:	100398/..
15 CHROME	9 312641 398158 >





ALMO

TABLE & FLOOR LAMPS



Sleek and stylish table and floor lamps featuring a dome-shaped adjustable lamp head in a classic chrome finish with a funky red cord.
12 Month Warranty.



Table:	100390/..
15 CHROME	 9 312641 510932 >
Floor:	100392/..
15 CHROME	 9 312641 392156 >

Brilliant **BALTIMORE**
TABLE LAMP



240V	60W max	B22	B22 CFL					
------	---------	-----	---------	--	--	--	--	--

Round chrome base with a stylish, two-pronged stand and a white cotton oval-shaped shade.
12 Month Warranty.



Code:	11989/..
13 BRUSHED NICKEL	9 312641 319894 >

Brilliant **VELA**
TABLE LAMP



240V	2x25W max	E14	E14 CFL					
------	-----------	-----	---------	--	--	--	--	--

Classic Table Lamp with machine crafted timber veneer shade and a polished chrome base.
12 Month Warranty.



Code:	100040/..
15 CHROME/ TIMBER	9 312641 592785 >



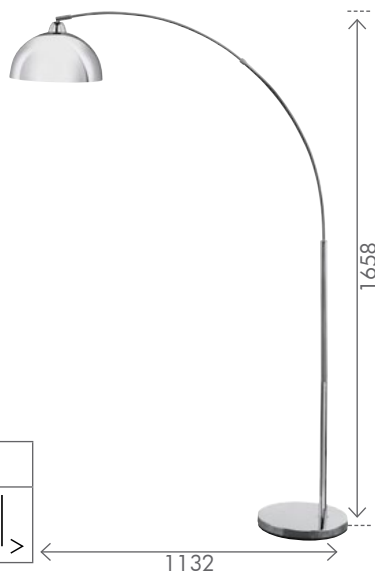
BELLE

FLOOR LAMP



240V	100W max	E27	E27 CFL	Energy Efficient	Adjustable	On/Off Switch	Plug
------	----------	-----	---------	------------------	------------	---------------	------

Large arc floor lamp in bright chrome with an adjustable head and solid stable base.
12 Month Warranty.



Code:	100024/..
15 CHROME	9 312641 441304 >



REGINA

FLOOR LAMP



240V	25W max	E27	E27 CFL	Energy Efficient	Adjustable	On/Off Switch	Plug
------	---------	-----	---------	------------------	------------	---------------	------

Beautifully crafted antique style floor lamp featuring an adjustable ornate trumpeted bell shade.
12 Month Warranty.



Code:	100283/..
13 BRUSHED CHROME	9 312641 313823 >



240V	60W max	100W max					
	Table	Floor	B22	B22 CFL			

Elegant table and floor lamps with beautifully crafted chrome plated glass balls and elegant silk-like white shade.
12 Month Warranty.



Table:	100525/..
15 CHROME	9 312641 155256 >
Floor:	17637/..
15 CHROME	9 312641 176374 >



COZUMEL

TABLE & FLOOR LAMP



240V	2x40W max			3x40W max							
		Table			Floor						

Designer cantilever table and floor lamps featuring a sturdy black metal base with polished chrome arm. A beautiful faux-silk black shade with diffuser completes the elegant design. 12 Month Warranty.

Table:	100386/..
15 BLACK/ CHROME	 9 312641 386063 >
Floor:	100387/..
15 BLACK/ CHROME	 9 312641 387060 >





CYCLOPS

TABLE & FLOOR LAMPS



240V	60W max	100W max							
	Table	Floor							

Large spring-loaded anglepoise style desk and floor lamps in a brilliant chrome finish with a sturdy base and fully adjustable arm and head.
12 Month Warranty.

Table:	100046/..
15 CHROME	
Floor:	100045/..
15 CHROME	






FRESNO

TABLE LAMP



Traditional candlestick-style base with classic white fabric shade. Available in a brushed chrome or antique brass finish. 12 Month Warranty.

Code:	11773/..
13 BRUSHED CHROME	 9 312641 773313 >
22 ANTIQUE BRASS	 9 312641 773221 >



JUSTIN

TABLE LAMP



Dark timber table lamp with rectangular base and frame-shaped arm topped by an oblong champagne shade. 12 Month Warranty.

Code:	10551/..
06B BLACK	 9 312641 605515 >





HUNTINGTON

MOTHER & CHILD UPLIGHTER



240V	300W max		40W max				
		Uplighter	Reading				

Elegant and modern halogen uplighter with a convenient reading light in a brushed steel finish.
12 Month Warranty.



Code:	18094/..
13 BRUSHED STEEL	
	9 312641 180944 >



ELITE

2 LIGHT FLOOR LAMP



240V	2x50W max				
		GU10	LED GU10		

Elegant twin floor light finished in modern brushed steel.
12 Month Warranty.

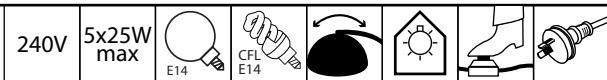


Code:	26141/..
13 BRUSHED STEEL	
	9 312641 131410 >

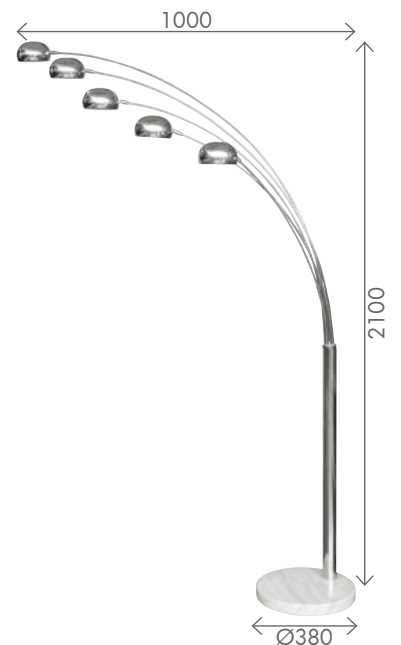


KIRO

5 LIGHT FLOOR LAMP



Large and stylish floor lamp with five manoeuvrable lamp heads. Finished in chrome and featuring a heavy marble base.
12 Month Warranty



Code:	100396/..
15 CHROME	9 312641 396154 >



LOZI

TABLE & FLOOR LAMPS



Designer table and floor lamps finished in stunning polished nickel. Elegant metallic black shades featuring golden mirror inner complete the lavish styling.

12 Month Warranty.

Matching pendants also available.

Table:	100527/..
15 POLISHED NICKEL	 9 312641 155270 >
Floor:	100506/..
15 POLISHED NICKEL	 9 312641 155164 >





REACH

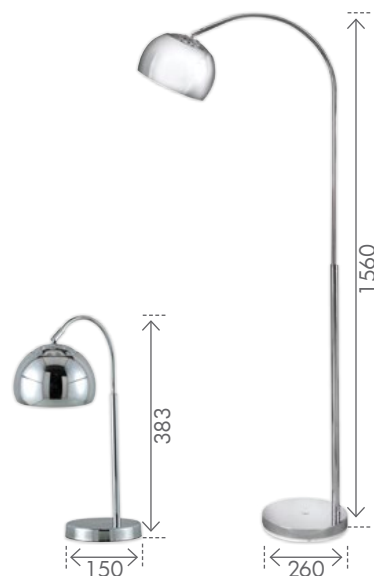
TABLE & FLOOR LAMPS



240V	100W max			40W max						
		Floor			Table					

Sleek and stylish domed style table and floor lamps in a brilliant chrome finish.
 12 Month Warranty.
 Matching pendant also available.

Desk:	22073/..
15 CHROME	9 312641 731504 >
Floor:	22074/..
15 CHROME	9 312641 745105 >





CEILING & WALL

CORDIA LED

FLUSH CEILING LIGHTS



240V	22W 1100lm	28W 1500lm	SMD LED	Cool White 4200°K			INCLUDED
------	---------------	---------------	---------	----------------------	--	--	----------

Contemporary ceiling fitting with plastic opal diffuser. LED technology featuring a 3014 SMD array with 220 chips (22W) or 288 chips (28W), to provide a high lumen output for a clear crisp light. 3 Year Warranty.

22W:	17842/..
05 WHITE	9 312641 178422 >
28W:	17843/..
05 WHITE	9 312641 178439 >





AURORA

T5 FLUSH CEILING LIGHTS



240V	22W max	32W max	T5	4200°K					INCLUDED
------	---------	---------	----	--------	--	--	--	--	----------

Round ceiling fitting in a brushed chrome finish with a twist lock matt opal glass diffuser.
 Features T5 fluorescent technology and an electronic ballast for flicker free activation.
 12 Month Warranty.

22W:	100070/..
13 BRUSH CHROME	9 312641 701057 >
32W:	100071/..
13 BRUSH CHROME	9 312641 510703 >





BRAVA

T5 FLUSH CEILING LIGHT



240V
32W max
T5
Cool White 5000°K
E
INCLUDED

Modern square ceiling fitting in a chic brushed aluminium finish with an acrylic opal diffuser. Features T5 fluorescent technology and an electronic ballast for flicker free activation. 12 Month Warranty.



Code:	00228/..
13 BRUSHED ALUMINIUM	9 312641 318224 >



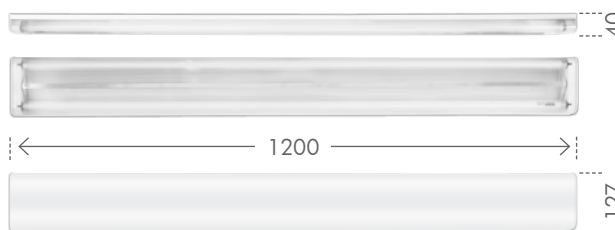
ENVIRO

T5 TWIN FLUORESCENT CEILING LIGHTS



240V
2x28W max
T5
Cool White 4000°K
E
INCLUDED

Low profile design with a lightweight aluminium housing and shatter-resistant acrylic diffuser in clear or opal finish. 12 Month Warranty.

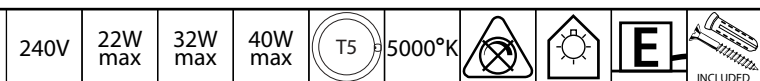


CLEAR:	100421/..
05 WHITE	9 312641 501244 >
OPAL:	17545/..
05 WHITE	9 312641 175452 >



CORDIA

T5 FLUSH CEILING LIGHTS



Contemporary ceiling fitting with plastic opal diffuser.
 Features T5 fluorescent technology and an electronic ballast for flicker free activation.
 12 Month Warranty.

22W:	00189/..
05 WHITE	9 312641 189053 >
32W:	00193/..
05 WHITE	9 312641 503910 >
40W:	00194/..
05 WHITE	9 312641 504917 >





CORDIA II

T5 FLUSH CEILING LIGHTS



240V	22W max	32W max	T5	4200°K					INCLUDED
------	---------	---------	----	--------	--	--	--	--	----------

Contemporary ceiling fitting with semi-opaque matte white polycarbonate diffuser. Features T5 fluorescent technology and an electronic ballast for flicker free activation. Uses standard sized circular fluorescent tubes. 2 Year Warranty.

22W:	17946/..
05 WHITE	9 312641 179467 >
32W:	17987/..
05 WHITE	9 312641 179870 >





HENRI

T5 FLUSH CEILING LIGHT



240V	22W max	40W max	62W (22+40W) max	T5	4200°K					INCLUDED
------	---------	---------	------------------	----	--------	--	--	--	--	----------

Square ceiling fitting with a matte white acrylic diffuser and decorative silver and clear trims.
 Features T5 fluorescent technology and an electronic ballast for flicker free activation.
 12 Month Warranty.

22W:	100584/..
11 SILVER	
40W:	100586/..
11 SILVER	
62W:	100607/..
11 SILVER	





OCULUS

T5 FLUSH CEILING LIGHTS





240V	32W max	40W max	T5	4200°K	IP44				INCLUDED
------	---------	---------	----	--------	------	--	--	--	----------

Modern decorative ceiling fitting with matte white acrylic diffuser and stylish brushed aluminium trim.

Features T5 fluorescent technology and an electronic ballast for flicker free activation.

IP44 Weatherproof Rated.

2 Year Warranty.

32W:	18037/..
26 BRUSHED ALUMINIUM	 9 312641 180371 >
40W:	18038/..
26 BRUSHED ALUMINIUM	 9 312641 180388 >





RICCI

T5 FLUSH CEILING LIGHT



240V	22W max	40W max	62W (22+40W) max	T5	4200°K					INCLUDED
------	---------	---------	------------------	----	--------	--	--	--	--	----------

Round ceiling fitting with a matte white acrylic diffuser and decorative silver and clear trims.
 Features T5 fluorescent technology and an electronic ballast for flicker free activation.
 12 Month Warranty.

22W:	100580/..
11 SILVER	9 312641 005803 >
40W:	100583/..
11 SILVER	9 312641 005834 >
62W:	100604/..
11 SILVER	9 312641 006046 >



← Ø330/440 →



STELLAR

FLUORESCENT CEILING LIGHTS



240V	22W max	32W max	T8	5000°K				 INCLUDED
------	---------	---------	----	--------	--	--	--	--------------

Classic styled ceiling fitting with an energy efficient T8 circular fluorescent tube.

Features contemporary opal glass and brushed chrome clips.

12 Month Warranty

22W:	00195/..
13 BRUSHED CHROME	 9 312641 311959 >
32W:	00196/..
13 BRUSHED CHROME	 9 312641 311966 >





TORUS

T5 FLUSH CEILING LIGHTS



240V	22W max	32W max	40W max	T5	4200°K					INCLUDED
------	---------	---------	---------	----	--------	--	--	--	--	----------

Modern decorative ceiling fitting with matte white acrylic diffuser and brushed aluminium trim.

Features T5 fluorescent technology and an electronic ballast for flicker free activation.

2 Year Warranty.

22W:	17947/..
20 BRUSHED ALUMINIUM	
32W:	17948/..
20 BRUSHED ALUMINIUM	
40W:	17949/..
20 BRUSHED ALUMINIUM	





COSMO

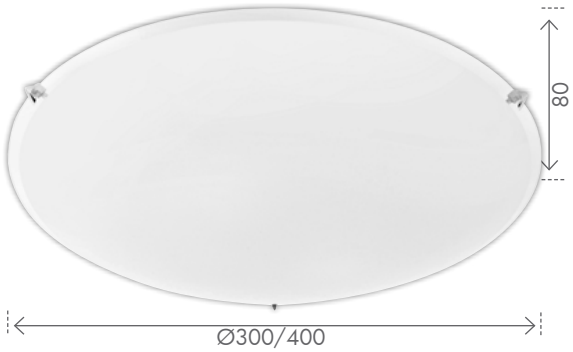
CEILING LIGHTS



240V	60W max	2x60W max					
	30cm	40cm	E27	E27 CFL			INCLUDED

Contemporary ceiling oysters with gloss white glass diffuser and small modern chrome clips. 12 Month Warranty.

30cm:	100480/..
05 WHITE	
40cm:	100481/..
05 WHITE	





MIRAGE

CEILING LIGHTS



240V	60W max	2x60W max					
	30cm	40cm	E27	E27 CFL			INCLUDED

Contemporary square ceiling oysters with gloss white glass diffuser and small modern chrome clips.
12 Month Warranty.

30cm:	100482/..
05 WHITE	
40cm:	100483/..
05 WHITE	





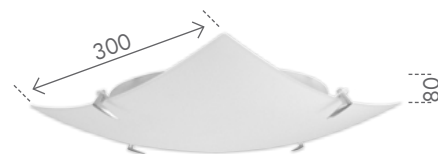
ORTHO

CEILING LIGHTS



240V	DIY EASY INSTALLATION	75W max								INCLUDED
Batten Fix		Batten Fix								

Classic square ceiling oysters with opal glass and brushed chrome clips and metalware.
12 Month Warranty.



30cm:	100413/..
13 BRUSHED CHROME	 9 312641 313144 >
DIY:	100415/..
13 BRUSHED CHROME	 9 312641 315148 >



SPIRELET

FLUSH CEILING LIGHTS



240V	60W max	2x40W max				
	30cm	40cm	E27	E27 CFL		INCLUDED

Classic ceiling fitting with alabaster style glass and decorative satin chrome clips.
12 Month Warranty.

30cm:	17950/..
13 BRUSHED CHROME	 9 312641 179504 >
40cm:	17951/..
13 BRUSHED CHROME	 9 312641 179511 >

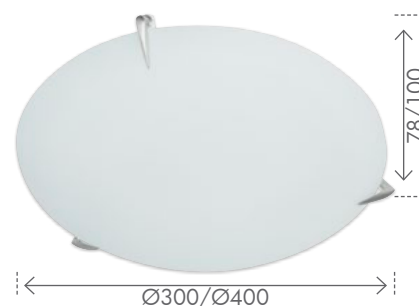




240V	DIY EASY INSTALLATION	75W max	2x75W max							
	Batten Fix		40cm Only					Batten Fix		INCLUDED

Classic styled ceiling fittings with opal glass and chrome clips and metalware.
Available as hard-wired or DIY fittings.
12 Month Warranty.

30cm:	100407/..
13 BRUSHED CHROME	
40cm:	100408/..
13 BRUSHED CHROME	
DIY:	100406/..
13 BRUSHED CHROME	





UNIVERSAL

DIY OYSTER WITH SENSOR



DIY
EASY INSTALLATION

75W
max



High quality polycarbonate base and diffuser.
Do-It-Yourself ceiling oyster with sensor.

Dusk to Dawn sensor
Detection: 6m at 100° scan
Light on: 2 min (approx)
Manual over-ride



Code:	00102/..
05 WHITE	 9 312641 102052 >



ALENA

BATTEN FIX



DIY
EASY INSTALLATION

60W
max



Contemporary Do-It-Yourself ceiling light fixture with white glass and brushed steel metalware.



Code:	00101/..
05 WHITE	 9 312641 501015 >



ALEXA

BATTEN FIX



DIY
EASY INSTALLATION

60W
max



Contemporary Do-It-Yourself ceiling light fixture with clear glass outer shade and etched glass inner shade and brushed steel metalware.



Code:	00103/..
13 BRUSHED STEEL	 9 312641 313014 >



FLO

BATTEN FIX



DIY
EASY INSTALLATION

75W
max



Traditional Do-It-Yourself ceiling light fixture with alabaster glass and brushed steel metalware.

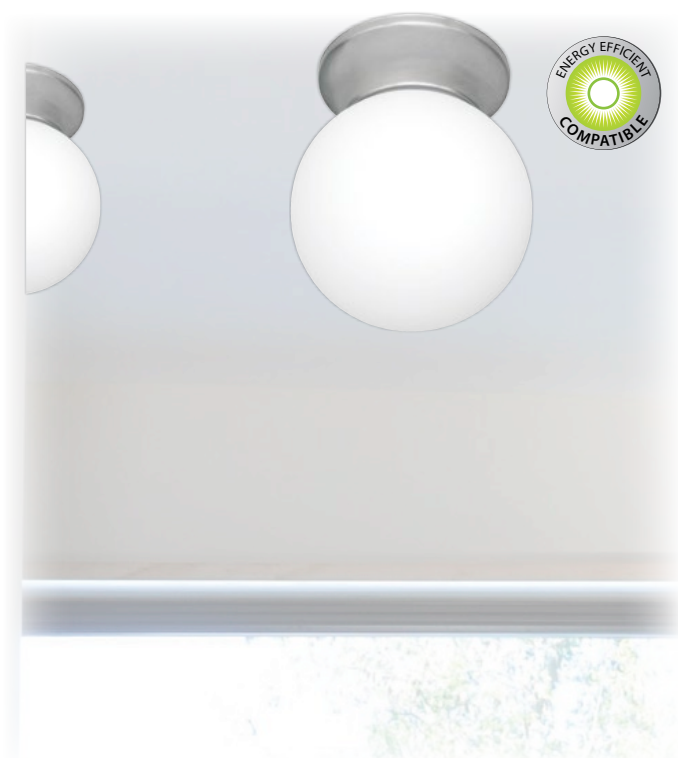


Code:	100416/..
13 BRUSHED CHROME	 9 312641 316145 >



SPHERE

BATTEN FIX

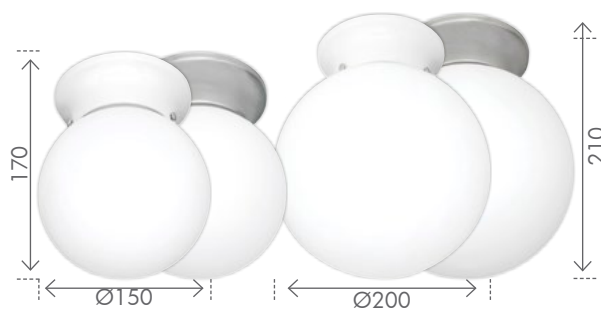






DIY
EASY INSTALLATION

60W
max



Spherical Do-It-Yourself ceiling fittings with a shiny opal glass diffuser.



6":	81000/..
05 WHITE	 9 312641 000051 >
13 BR. CHROME	 9 312641 000136 >
8":	81001/..
05 WHITE	 9 312641 001058 >
13 BR. CHROME	 9 312641 001133 >



TWIRL

BATTEN FIX



DIY
EASY INSTALLATION

60W
max

Modern Do-It-Yourself ceiling light fixture with frosted white glass with coloured swirl patterns and etched glass and brushed steel metalware.



Code:	100654/..
01 RED/ OPAL	 9 312641 006541 >
05 WHITE/ OPAL	 9 312641 006558 >
06 BLACK/ OPAL	 9 312641 006565 >



CASSIE

MODERN WALL SCONCE



- 240V
- 18W max
- E27
- E27 CFL
- INCLUDED

Modern angled design wall sconce with frosted glass diffuser.
2 Year Warranty.



Code:	18072/..
15 WHITE/ CHROME	9 312641 180722 >



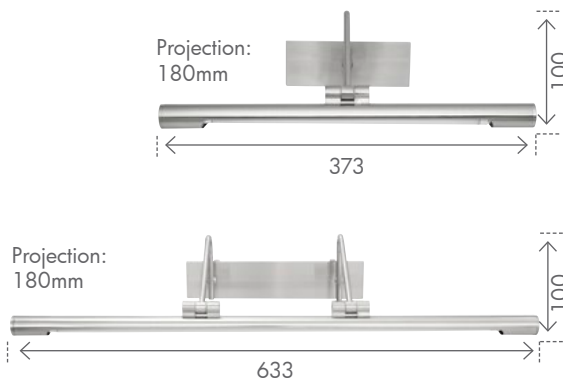
VINCENT

PICTURE LIGHT



- 240V
- 8W max
- 14W max
- T5
- INCLUDED

Modern and slim appearance with an adjustable head to accentuate wall decorations. Features T5 fluorescent technology and an electronic ballast for flicker free activation.
12 Month Warranty.



8W:	90117/..
11 SILVER	9 312641 317111 >
14W:	90118/..
11 SILVER	9 312641 918134 >



PENDANTS



MAX LED

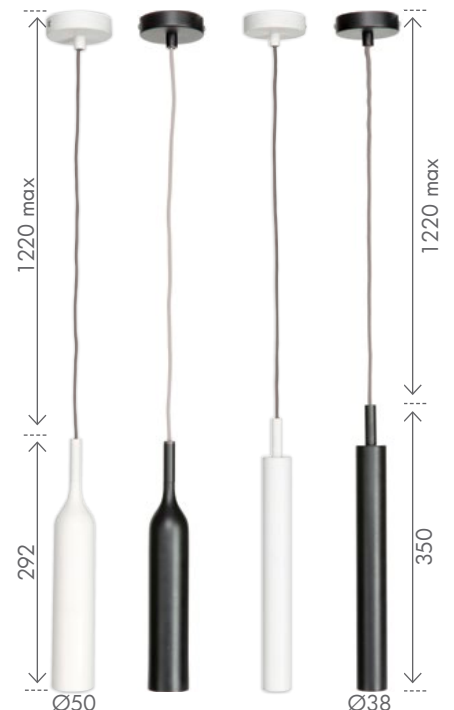
MODERN DROP PENDANTS



Inspired by modern architecture, the immaculate form updates a minimal space and anchors contemporary surfaces with a high lumen output COB LED chip. The Max's finishes are inspired by grease, soot and tar.

Adjustable to suit ceiling height variations.
3 Year Warranty

RND:	18121/..
05 WHITE	9 312641 181231 >
06 BLACK	9 312641 181217 >
STR:	18129/..
05 WHITE	9 312641 181200 >
06 BLACK	9 312641 181293 >



Brilliant **ALBANY**
3 LIGHT PENDANT



240V	3x60W max	E14	CFL E14	SPANNER INCLUDED	INCLUDED	ENERGY EFFICIENT COMPATIBLE
------	-----------	-----	---------	------------------	----------	-----------------------------

Charming close-to-ceiling 3 light pendant with a stunning polished chrome finish and hanging decorative glass teardrops. 12 Month Warranty.



Code:	100340/..
13 CHROME	 4 004353 131196 >

Brilliant **LISBON**
5 LIGHT PENDANT



240V	5x60W max	E14	CFL E14	SPANNER INCLUDED	INCLUDED	ENERGY EFFICIENT COMPATIBLE
------	-----------	-----	---------	------------------	----------	-----------------------------

A charming fusion of contemporary and traditional, Lisbon has a chrome finish frame and decorative glass lamp holder highlights. 12 Month Warranty.



Code:	100331/..
13 CHROME	 4 004353 131226 >



BALDINI

DIY 3 LIGHT PENDANT



240V	3x60W max	E14	CFL E14	SPANNER INCLUDED	INCLUDED
------	-----------	-----	---------	------------------	----------

Contemporary close-to-ceiling pendant with brushed chrome metalware and alabaster glass conical upshades.
12 Month Warranty.



Code:	10978/..
13 CHROME	9 312641 978138 >



CARLA

DIY 3 LIGHT PENDANT



DIY EASY INSTALLATION	240V	3x60W max	E27	CFL	SPANNER INCLUDED	INCLUDED
---------------------------------	------	-----------	-----	-----	------------------	----------

Classically styled close-to-ceiling pendant with brushed chrome metalware and three alabaster glass shades.
12 Month Warranty.



Code:	10972/..
13 BRUSHED STEEL	9 312641 972136 >

Brilliant **MEGARA**
3 LIGHT PENDANT



240V	3x60W max	E14	CFL E14	SPANNER INCLUDED	INCLUDED	
------	-----------	-----	---------	------------------	----------	--

Beautifully crafted modern close to ceiling pendant features a brilliant chrome finish and white glass tulip diffusers.
12 Month Warranty.



Code:	100338/..
13 CHROME	9 312641 383130 >

Brilliant **REACH**
METAL PENDANT



240V	100W max	E27	E27 CFL	SPANNER INCLUDED	INCLUDED	
------	----------	-----	---------	------------------	----------	--

Sleek and stylish domed style pendant in a brilliant chrome finish.
12 Month Warranty.

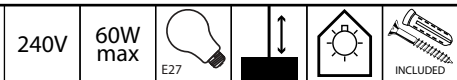


Code:	22072/..
15 CHROME	9 312641 721505 >



CHARLIE

INDUSTRIAL METAL PENDANT



Classic industrial design steel pendant in a powdercoated gloss finish in this season most popular colours along with co-ordinating canopy. 12 Month Warranty.

Code:	18124/..
01 RED	9 312641 181378 >
02 YELLOW	9 312641 181361 >
05 WHITE	9 312641 181255 >
06 BLACK	9 312641 181248 >





METZO

DOME PENDANT



240V	100W max						
		E27	E27 CFL			INCLUDED	

Modern dome pendant with an elegant matte black finish and highly reflective white interior for ultimate light output. Adjustable to suit ceiling height variations. 12 Month Warranty.



Code:	30017/..
06 BLACK	
	9 312641 607106 >



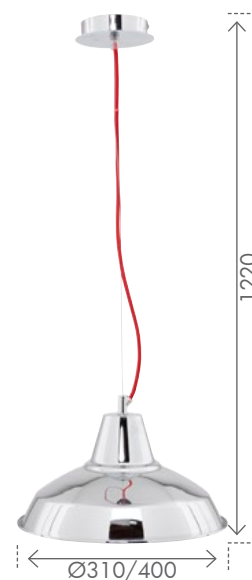
PARTI

RETRO PENDANTS



240V	60W max						
		E27	E27 CFL			INCLUDED	

Retro-industrial styled pendant with a brilliant chrome finish with a snazzy red fabric cord. Adjustable to suit ceiling height variations. 12 Month Warranty.



40cm:	100375/..
15 CHROME/ RED	
	9 312641 515739 >
31cm:	100376/..
15 CHROME/ RED	
	9 312641 516736 >



CORONA

DROP PENDANT



240V	40W max	E27	E27 CFL	INCL. DIMMER	INCL. WIRE	INCL. HOUSING	INCL. BUSH	INCL. SCREW	INCL. NUT	INCL. WASHER	INCL. BRACKET	INCL. WIRE	INCL. HOUSING	INCL. BUSH	INCL. SCREW	INCL. NUT	INCL. WASHER	INCL. BRACKET
------	---------	-----	---------	--------------	------------	---------------	------------	-------------	-----------	--------------	---------------	------------	---------------	------------	-------------	-----------	--------------	---------------

Elegant and beautifully crafted medium sized drop pendant in a bright chrome finish.
12 Month Warranty.

Code:	100035/..
15 CHROME	



TULIP

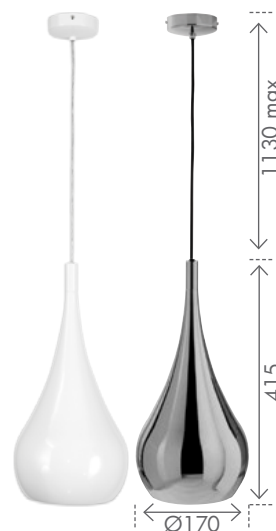
DROP PENDANTS



240V	60W max	E27	E27 CFL	INCL. DIMMER	INCL. WIRE	INCL. HOUSING	INCL. BUSH	INCL. SCREW	INCL. NUT	INCL. WASHER	INCL. BRACKET	INCL. WIRE	INCL. HOUSING	INCL. BUSH	INCL. SCREW	INCL. NUT	INCL. WASHER	INCL. BRACKET
------	---------	-----	---------	--------------	------------	---------------	------------	-------------	-----------	--------------	---------------	------------	---------------	------------	-------------	-----------	--------------	---------------

Elegantly crafted drop pendants in either a gloss white or brilliant chrome finish.
12 Month Warranty

Code:	100399/..
05 WHITE	
Code:	100029/..
15 CHROME	





LISKA

FEATURE GLASS PENDANTS



Stylish, contemporary and elegant feature pendants made from beautifully moulded high quality glass, complete with an industrial-style suspension. Liska is a contemporary take on industrial design. 12 Month Warranty.

Ø135:	18116/..
07 CLEAR	 9 312641 181163 >
Ø200:	18127/..
07 CLEAR	 9 312641 181279 >
Ø250:	18128/..
07 CLEAR	 9 312641 181286 >





FROST

DIY GLASS PENDANT



DIY
EASY INSTALLATION

60W
max



B22

B22

CFL

Modern Do-It-Yourself pendant light with white frosted glass, brushed steel metalware with a 1m DIY suspension kit.



Code:	17491/..
05 WHITE	



TWIRL

DIY GLASS PENDANT



DIY
EASY INSTALLATION

60W
max



B22

B22

CFL

Modern Do-It-Yourself ceiling light fixture with coloured swirl patterns on etched glass, brushed steel metalware with a 1m DIY suspension kit.



Code:	17488/..
01 RED STRIPE	
05 WHITE STRIPE	
06 BLACK STRIPE	



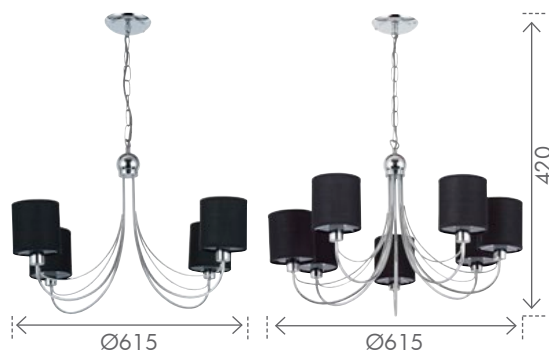
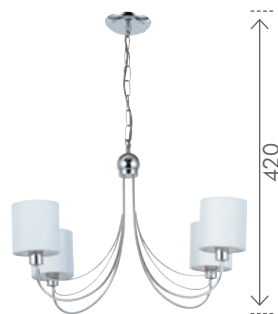
FIGARO

4 & 7 LIGHT PENDANTS



240V	4x40W max	7x40W max	E14	CFL E14		SPANNER INCLUDED	SCREWDRIVER INCLUDED	
------	-----------	-----------	-----	---------	--	------------------	----------------------	--

Elegant pendant series with long slender arms finished in a beautiful polished chrome with either black or white cotton shades. Adjustable to suit ceiling height variations. 12 Month Warranty



4 LT:	100335/..
05 CHROME/ WHITE	4 004353 131240 >
06 CHROME/ BLACK	4 004353 131257 >
7 LT:	100334/..
06 CHROME/ BLACK	4 004353 131271 >



LOZI

DESIGNER PENDANTS



240V	3x40W max	5x40W max							INCLUDED
------	-----------	-----------	--	--	--	--	--	--	----------

Feature 3 and 5 light pendants, finished in stunning polished nickel. Elegant metallic black shades featuring golden mirror inner complete the lavish styling.

12 Month Warranty.

Matching table and floor lamps also available.

3LT:	100507/..
15 POLISHED NICKEL	 9 312641 155072 >
5LT:	100508/..
15 POLISHED NICKEL	 9 312641 155089 >





ARTISAN

RUSTIC STRING PENDANTS



Artisan softens and calms the interior space with hand woven natural fibres for a rustic look that highlights the texture and creates a soft and warm lighting effect.
12 Month Warranty.

Sml:	18103/..
05 WHITE	 9 312641 181033 >
Lrg:	18104/..
05 WHITE	 9 312641 181040 >





SILVIA

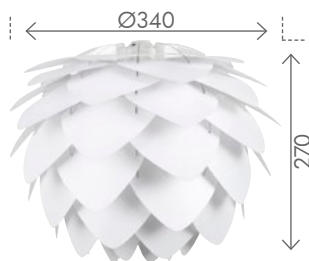
DO-IT-YOURSELF MULTI-PURPOSE SHADES



The Silvia is ideal in most places around the home. The blind-free design makes it perfect above a table, in a hall-way, the bedroom or indeed any place where you don't want to be blinded by a light bulb. And by mounting the Silvia on a lamp base it can even be used as a floor lamp. It is made from indestructible polycarbonate and environmentally friendly polypropylene, and is designed to be put together at home in less than 15 minutes.

Combine it with a max 60 watt light bulb, and the Silvia will soon be brightening up your home. Cord, socket and light bulb not included.

Mini:	17670/..
05 WHITE	 9 312641 176701 >
Large:	17671/..
05 WHITE	 9 312641 176718 >





CRYSTAL

BATTEN FIX/SHADE INSERT/PENDANT



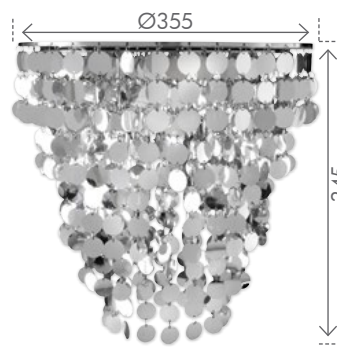
Decorative shade with crystal-like hanging beads. Can be used as a shade on a batten holder, a shade insert or beautiful pendant. Should be used with a max 60W bulb.

Code:	100073/..
07 CLEAR	 9 312641 730712 >



GLITTER

BATTEN FIX/SHADE INSERT/PENDANT



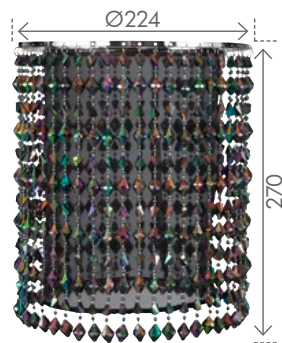
Decorative shade with shiny hanging discs. Can be used as a shade on a batten holder, a shade insert or beautiful pendant. Should be used with a max 60W bulb.

Code:	100072/..
11 SILVER	 9 312641 072119 >



RAINBOW

BATTEN FIX/SHADE INSERT/PENDANT



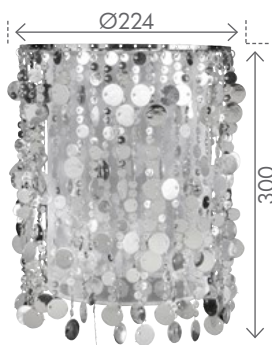
Decorative shade with dazzling black rainbow beads around a sheer diffuser. Can be used as a shade on a batten holder, a shade insert or beautiful pendant. Should be used with a max 60W bulb.

Code:	100076/..
99 RAINBOW	 9 312641 799603 >



SILVER DOLLAR

BATTEN FIX/SHADE INSERT/PENDANT



Decorative shade with shiny hanging large and small discs.

Can be used as a shade on a batten holder, a shade insert or beautiful pendant. Should be used with a max 60W bulb.

Code:	100075/..
11 SILVER	 9 312641 715108 >



SHERRY

COLOURED GLASS SHADE



Contemporary shade with a matte finish

Can be used as a pendant or lamp shade.

Should be used with a max 60W bulb.

Code:	17954/..
61 BURGUNDY	 9 312641 179542 >



CORD SET

HARD-WIRE SUSPENSION KIT



1000 max



240V
75W max
B22
B22 CFL

Hard-wired pendant cord set in a contemporary brushed steel finish with clear cord. Size can be adjusted to suit ceiling height variations.

Code:	100151/..
13 BRUSHED STEEL	9 312641 311515 >



CORD SET

DIY SHORT SUSPENSION KIT



385

DIY EASY INSTALLATION
240V
60W max
B22
B22 CFL

Do-it-yourself pendant short cord set in a contemporary brushed steel finish.

Code:	11639/..
13 BRUSHED STEEL	9 312641 639138 >



CORD SET

DIY SUSPENSION KIT



DIY
EASY INSTALLATION

60W
max

B22

B22
CFL

Do-It-Yourself pendant cord set in a white finish.
Overall length: 690mm

Code:	00120/..
05 WHITE	9 312641 512004 >



CORD SET

DIY SUSPENSION KIT



DIY
EASY INSTALLATION

60W
max

B22

B22
CFL

Do-It-Yourself pendant cord set in a painted black finish.
Overall length: 600mm

Code:	11640/..
06 BLACK	9 312641 640066 >



CORD SET

DIY SUSPENSION KIT



DIY
EASY INSTALLATION

60W
max

B22

B22
CFL

Do-It-Yourself pendant cord set in a brass finish.
Overall length: 600mm

Code:	11640/..
12 BRASS	9 312641 640127 >



CORD SET

DIY SUSPENSION KIT



DIY
EASY INSTALLATION

60W
max

B22

B22
CFL

Do-It-Yourself pendant cord set in a brushed steel finish.
Overall length: 600mm

Code:	11640/..
13 BRUSHED STEEL	9 312641 316404 >



DOWNLIGHTS
& ACCENT

LUXOR ORIGINAL GIMBAL

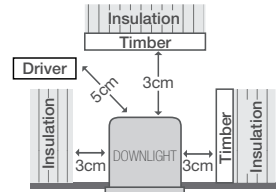
HIGH LUMEN LED DOWNLIGHT

LED Performance
Solid State Lighting Luminaire



240V	12W rated 13W w/driver		3000K WARM WHITE	4000K COOL WHITE				CRI >80	POWER FACTOR 0.98	CONSTANT CURRENT 280mA		
			17798	17801								

RECOMMENDED INSTALL CLEARANCES:



The ultimate project downlight to replace 50W MR16 systems. Producing high lumens using precision optics and a high output C.O.B (chip on board) LED. Providing a stylish, yet budget conscious solution.

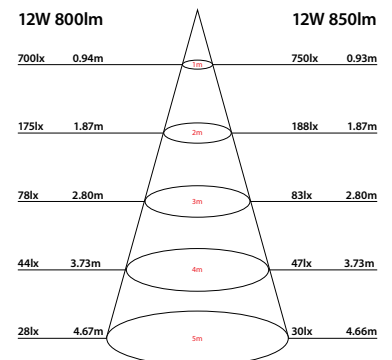
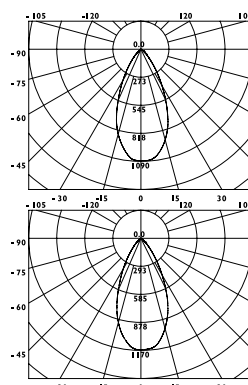
- COB LED technology for superior light output high-grade aluminium construction with gimbal design.
- SAA approved dimmable LED driver with 0.6m flex & plug.
- Long lasting up to 35,000 hours, (limited by driver).
- 3 Year Warranty.

* Complies with IEC 60598-1: 2008 and IEC 60598-2-2: 2011 (50°C ambient).

Recessed luminaires suitable for covering in the ceiling void with thermal insulating material (without causing overheating to the luminaire) are marked with this variation of the F mark symbol.



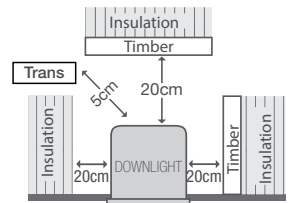
Warm White:			(R) 17798/..
05 WHITE	800 LUMENS	60 lm/W	
13 BRUSHED NICKEL			
Cool White:			(R) 17801/..
05 WHITE	850 LUMENS	67 lm/W	
13 BRUSHED NICKEL			





240V	12W rated 13W w/driver	COB LED	3000K WARM WHITE	4000K COOL WHITE	IP44	E	50° BEAM ANGLE	CRI >80	POWER FACTOR 0.98	CONSTANT CURRENT 280mA	75-93mm	F*
			18021	18023								

RECOMMENDED INSTALL CLEARANCES:



The ultimate project downlight to replace 50W MR16 systems. Producing high lumens using precision optics and a high output C.O.B (chip on board) LED. Providing a stylish, yet budget conscious solution.

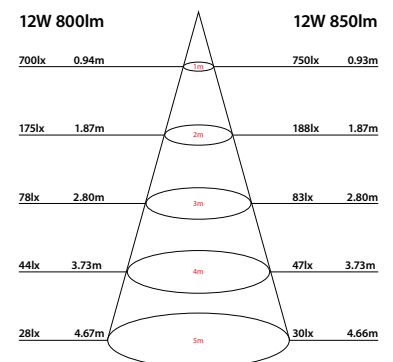
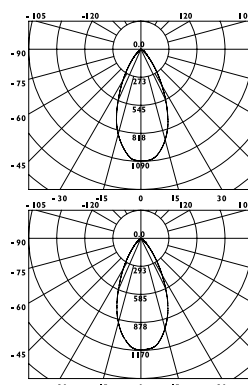
- COB LED technology for superior light output high-grade aluminium construction with fixed design.
- SAA approved dimmable LED driver with 0.6m flex & plug.
- Long lasting up to 35,000 hours, (limited by driver).
- 3 Year Warranty.

* Complies with IEC 60598-1: 2008 and IEC 60598-2-2: 2011 (50°C ambient).

Recessed luminaires suitable for covering in the ceiling void with thermal insulating material (without causing overheating to the luminaire) are marked with this variation of the F mark symbol.



Warm White:			18021/..
05 WHITE			9 312641 180210 >
13 BRUSHED NICKEL	800 LUMENS	60 lm/W	9 312641 180241 >
20 ANODISED ALUMINIUM			9 312641 180289 >
Cool White:			18023/..
05 WHITE			9 312641 180234 >
13 BRUSHED NICKEL	850 LUMENS	67 lm/W	9 312641 180258 >
20 ANODISED ALUMINIUM			9 312641 180296 >



LUXOR GIMBAL

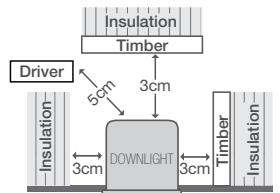
HIGH LUMEN LED DOWNLIGHT

LED Performance
Solid State Lighting Luminaire



240V	12W rated 13W w/driver		3000K WARM WHITE	4000K COOL WHITE				CRI >80	POWER FACTOR 0.98	CONSTANT CURRENT 280mA		
			18243 18017	18244 18018								

RECOMMENDED INSTALL CLEARANCES:

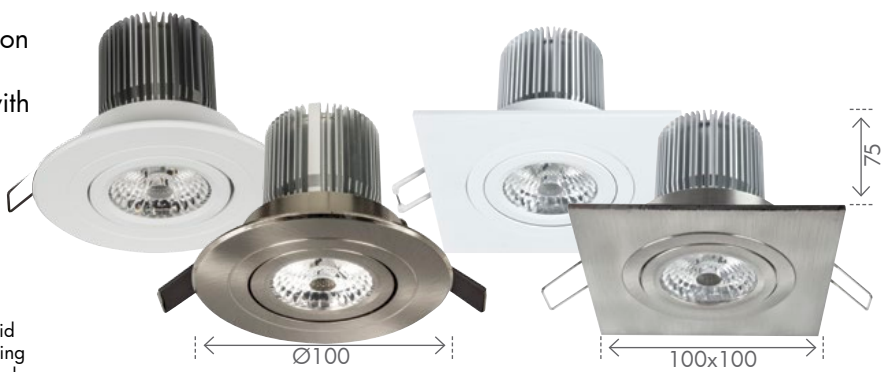


The ultimate project downlight to replace 50W MR16 systems. Producing high lumens using precision optics and a high output C.O.B (chip on board) LED. Providing a stylish, yet budget conscious solution.

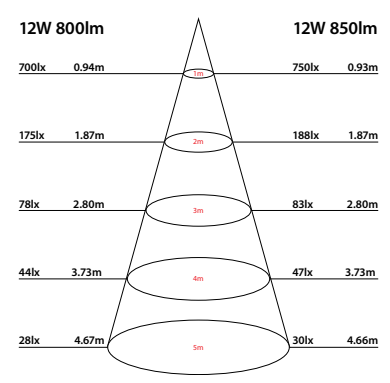
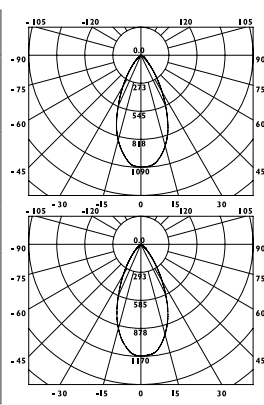
- COB LED technology for superior light output high-grade aluminium construction with gimbal design.
- SAA approved dimmable LED driver with 0.6m flex & plug.
- Long lasting up to 35,000 hours, (limited by driver).
- 3 Year Warranty.

* Complies with IEC 60598-1: 2008 and IEC 60598-2-2: 2011 (50°C ambient).

Recessed luminaires suitable for covering in the ceiling void with thermal insulating material (without causing overheating to the luminaire) are marked with this variation of the F mark symbol.



Warm White:			(R) 18243/..	(S) 18017/..
05 WHITE	800 LUMENS	60 lm/W		
13 BRUSHED NICKEL				
Cool White:			(R) 18244/..	(S) 18018/..
05 WHITE	850 LUMENS	67 lm/W		
13 BRUSHED NICKEL				



UMBRA II

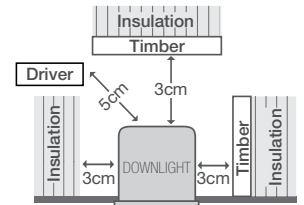
HIGH LUMEN SMD LED DOWNLIGHT

LED Performance
Solid State Lighting Luminaire



240V	11W rated 14W w/driver		3000K WARM WHITE	4200K COOL WHITE				100° BEAM ANGLE	CRI >82	POWER FACTOR 0.95	CONSTANT CURRENT 350mA		
			17835	17837									

RECOMMENDED INSTALL CLEARANCES:



The ideal downlight for replacing existing fluorescent downlights, by providing a wide angled diffused beam.

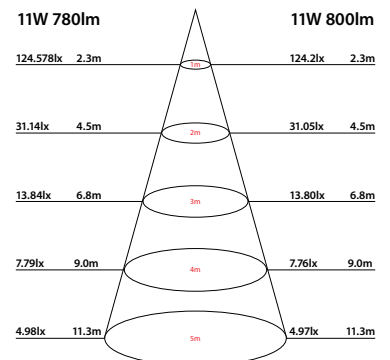
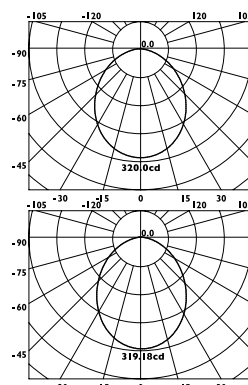
- 50 x SMD 2835 LED Chips provide high quality light output
- SAA approved dimmable LED driver with
- 0.7m flex & plug.
- Long lasting up to 30,000 hours, (limited by driver).
- 3 Year Warranty.

* Complies with IEC 60598-1: 2008 and IEC 60598-2-2: 2011 (50°C ambient).

Recessed luminaires suitable for covering in the ceiling void with thermal insulating material (without causing overheating to the luminaire) are marked with this variation of the F mark symbol.



Code:	17835/..			
05 WHITE	11 WATTS	780 LUMENS	56 lm/W	
13 BRUSHED NICKEL	11 WATTS	780 LUMENS	56 lm/W	
Code:	17837/..			
05 WHITE	11 WATTS	800 LUMENS	57 lm/W	
13 BRUSHED NICKEL	11 WATTS	800 LUMENS	57 lm/W	



CANDELLA

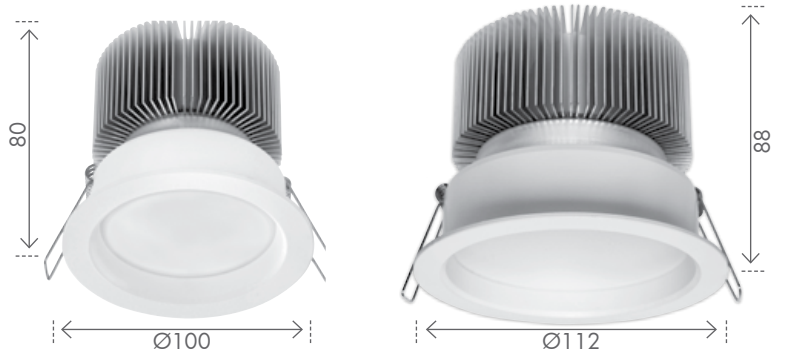
HIGH LUMEN LED DOWNLIGHT



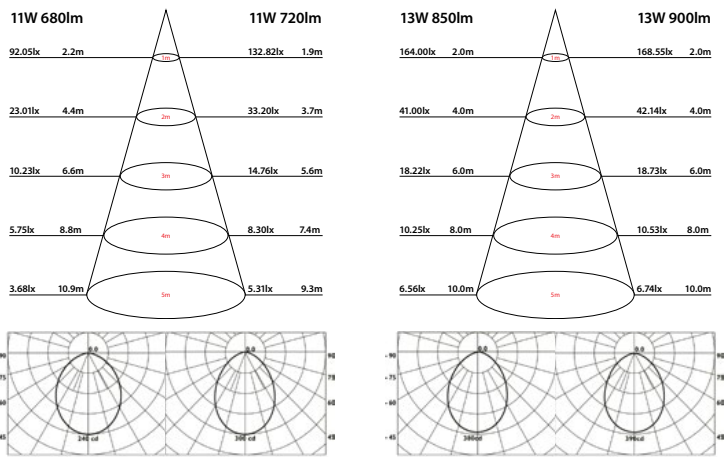
240V	11W rated 14W w/driver	13W rated 16W w/driver	COB LED	3000K WARM WHITE	4000K COOL WHITE	IP44	E	90° BEAM ANGLE	CRI >82	POWER FACTOR 0.9	73-93mm	93mm	RECOMMENDED INSTALL CLEARANCES:	
	17680 17681	17355 17356		17356 17680	17355 17681						11W	13W		

Generate a wide beam angled soft light by using a powerful and efficient C.O.B (Chip On Board) LED, with a high light transfer frosted acrylic diffuser.

- Sharp™ COB LED for superior light output
- High-grade aluminium construction with white powdercoated finish.
- SAA approved dimmable LED driver with 1.2m flex & plug.
- Long lasting, up to 35,000 hours (limited by driver).
- Constant Current 11W: 280mA
- Constant Current 13W: 350mA
- 5 Year Warranty.



Code:	17680/..				
05 WHITE	11 WATTS	680 LUMENS	48 lm/W		>
Code:	17681/..				
05 WHITE	11 WATTS	720 LUMENS	51 lm/W		>
Code:	17356/..				
05 WHITE	13 WATTS	850 LUMENS	53 lm/W		>
Code:	17355/..				
05 WHITE	13 WATTS	900 LUMENS	56 lm/W		>





ILLUMINA

HIGH LUMEN LED DOWNLIGHT

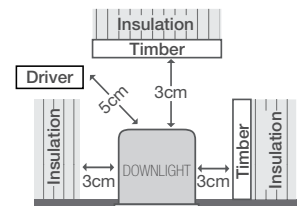


240V	11W rated 14W w/driver	13W rated 16W w/driver	COB LED	3000K WARM WHITE	4000K COOL WHITE			40° BEAM ANGLE	CRI >82	POWER FACTOR 0.9	97mm
	17716 17353	17717 17354		17716 17717	17353 17354						

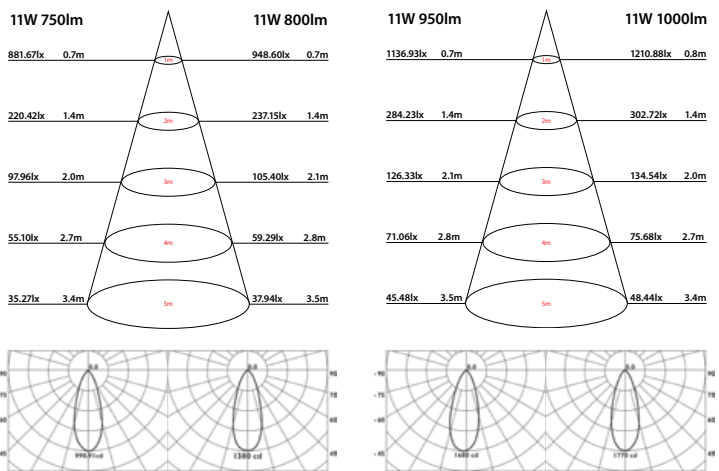
Create a crisp light using a highly efficient, high power C.O.B (chip on board) LED. Featuring unique diamond lens optics to minimise multiple shadows.

- Sharp™ COB LED for superior light output
- High-grade aluminium construction with gimbal design and white powdercoated finish.
- SAA approved dimmable LED driver with 1.2m flex & plug.
- Long lasting, up to 35,000 hours (limited by driver).
- Constant Current 11W: 280mA
- Constant Current 13W: 350mA
- 5 Year Warranty.

RECOMMENDED INSTALL CLEARANCES:



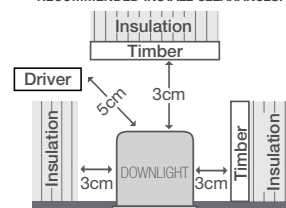
Code:	17716/..			
05 WHITE	11 WATTS	750 LUMENS	53 lm/W	9 312641 177166 >
Code:	17353/..			
05 WHITE	11 WATTS	800 LUMENS	57 lm/W	9 312641 173533 >
Code:	17717/..			
05 WHITE	13 WATTS	950 LUMENS	59 lm/W	9 312641 177173 >
Code:	17354/..			
05 WHITE	13 WATTS	1000 LUMENS	62 lm/W	9 312641 173540 >





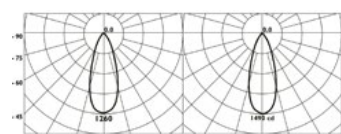
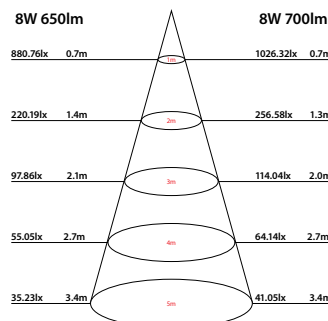
240V	8W rated 11W w/driver	COB LED	3000K WARM WHITE	4000K COOL WHITE		40° BEAM ANGLE	CRI >82	POWER FACTOR 0.9	CONSTANT CURRENT 700mA	79-93mm
			17678	17679						

RECOMMENDED INSTALL CLEARANCES:



Create a crisp light using a highly efficient, high power C.O.B (chip on board) LED. Featuring unique diamond lens optics to minimise multiple shadows.

- Sharp™ COB LED for superior light output.
- Use high-efficient COB LED prevents multiple shadows.
- Deep recessed design of light source, anti-glare light control, creating a comfortable light environment.
- High-grade aluminium construction with gimbal design and white powdercoated finish.
- SAA approved dimmable LED driver with 1.2m flex & plug.
- Long lasting, up to 35,000 hours (limited by driver).
- 5 Year Warranty.



Code:	17678/..				
05 WHITE	8 WATTS	650 LUMENS	59 lm/W		>
Code:	17679/..				
05 WHITE	8 WATTS	700 LUMENS	63 lm/W		>



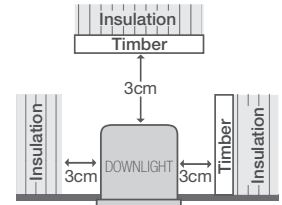
JUPITER

LOW PROFILE ENERGY SAVING DOWNLIGHTS



240V	20W max	23W max						
	4" Only	5" Only					4"	5"

RECOMMENDED INSTALL CLEARANCES:



Compact and low profile, side entry downlights. Features a frosted glass diffuser and fully enclosed heatsink shielded lampholder.

Jupiter 5" is specially designed to suit today's dimmable compact fluorescent globes.

12 Month Warranty.

4":	80750/..
05 WHITE	
13 BRUSHED STEEL	
5":	80751/..
05 WHITE	
13 BRUSHED STEEL	





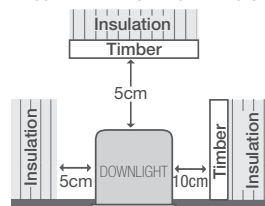
UNI 7 & 8

ENERGY SAVING DOWNLIGHTS



240V	15W max		Cool White 4000°K				
------	---------	--	-------------------	--	--	--	--

RECOMMENDED INSTALL CLEARANCES:



Modern recessed downlight with a heat shielded ceramic lampholder, adjustable height to suit variations in globe lengths

Uni 7 features an open face

Uni 8 has a removable frosted glass cover and is available in fixed or gimbal styles.

12 Month Warranty.

7:	80771/..
05 WHITE	
13 BRUSHED STEEL	
8-F:	100502/..
05 WHITE	
13 BRUSHED STEEL	
8-G:	100503/..
05 WHITE	
13 BRUSHED STEEL	





UNI 5

ENERGY SAVING ROUND DOWNLIGHT



240V

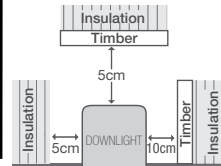
15W max



Cool White
4200°K



RECOMMENDED INSTALL CLEARANCES:



Large 4.5" round recessed downlight with an enclosed heatsink shielded ceramic lampholder. 12 Month Warranty.



Code:	91506/..
05 WHITE	 9 312641 506058 >



DUFOUR

316 STAINLESS STEEL DOWNLIGHT

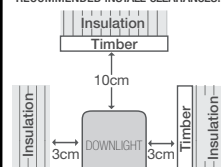


240V

35W max



RECOMMENDED INSTALL CLEARANCES:



Round marine grade 316 stainless steel downlight. Suitable for installation indoor or under covered areas. Marine grade stainless steel is extremely durable and has a high corrosion resistance. Comes complete with heat can for added safety.

12 Month Warranty.



Code:	17635/..
16 STAINLESS STEEL (316)	 9 312641 176350 >

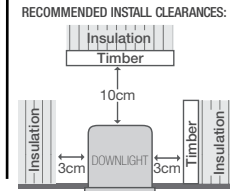


HAUS

ROUND GIMBAL DOWNLIGHT



- 240V
- 35W max
- GU10
- CFL GU10
- LED GU10
- 76-93mm



Round gimbal downlight kit in brushed aluminium finish with a vented heat can for added safety.

12 Month Warranty.



Code:	17633/..
26 BRUSHED ALUMINIUM	 9 312641 176336 >

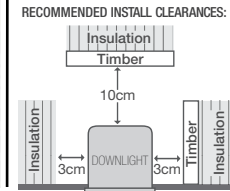


REISS

SQUARE GIMBAL DOWNLIGHT



- 240V
- 35W max
- GU10
- CFL GU10
- LED GU10
- 76-93mm



Square gimbal downlight kit in brushed aluminium finish with a vented heat can for added safety.

12 Month Warranty.



Code:	17634/..
26 BRUSHED ALUMINIUM	 9 312641 176343 >



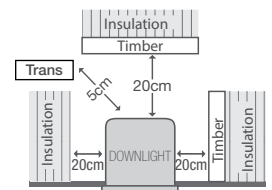
LUMINA

LOW VOLTAGE DOWNLIGHT FITTINGS



12V	50W max				
-----	---------	--	--	--	--

RECOMMENDED INSTALL CLEARANCES:



Low voltage downlight frame only range. Finished in anodised aluminium making them ideal for interior and exterior undercover environments especially coastal areas.

Available in round or square, in a gimbal and recessed fixed design.

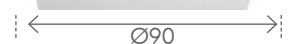
12 Month Warranty.

■ GIM:	80964/..
20 ANODISED ALUMINIUM	
■ REC:	80966/..
20 ANODISED ALUMINIUM	
● GIM:	80965/..
20 ANODISED ALUMINIUM	
● REC:	80967/..
20 ANODISED ALUMINIUM	

Depth: 45



Depth: 38



Depth: 45



Depth: 38





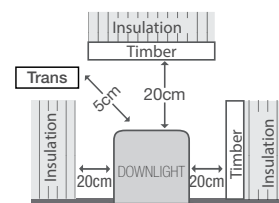
LUXE

LOW VOLTAGE DOWNLIGHT FITTINGS



12V	50W max					
-----	---------	--	--	--	--	--

RECOMMENDED INSTALL CLEARANCES:



Low voltage downlight frame only range. Finished in marine grade 316 stainless steel making them ideal for interior and exterior undercover environments especially coastal areas. Available in round fixed or square gimbal designs.

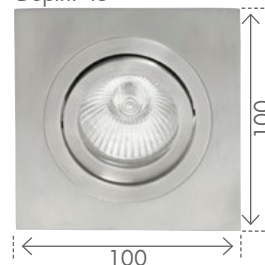
12 Month Warranty.

Depth: 38



Ø100

Depth: 45



100

RND:	80951/..
16 STAINLESS STEEL (316)	
SQ:	80961/..
16 STAINLESS STEEL (316)	



VERSASPOT

IP65 LOW VOLTAGE DOWNLIGHT



240V

50W max

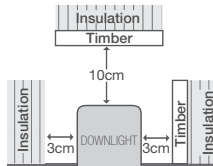


Modern low voltage anodised aluminium downlight with an IP65 weatherproof rating, making it suitable for indoor, outdoor and wet area use. Comes completely assembled with globe, heat can and plug-in electronic transformer.

12 Month Warranty.



RECOMMENDED INSTALL CLEARANCES:



Code:	100530/..
20 ANODISED ALUMINIUM	9 312641 005308 >



WEATHERBY

240V 316 STAINLESS STEEL DOWNLIGHT



240V

50W max

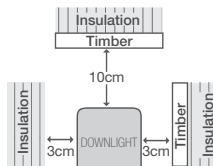


Round marine grade 316 stainless steel downlight. Suitable for installation indoor or under covered areas. Marine grade stainless steel is extremely durable and has a high corrosion resistance. Comes complete with globe and heat can.

12 Month Warranty.



RECOMMENDED INSTALL CLEARANCES:



Code:	100529/..
16 STAINLESS STEEL (316)	9 312641 005292 >



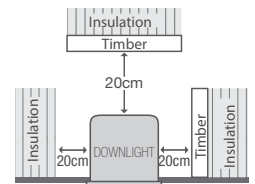
DOWNLIGHT KITS

FIXED & GIMBAL GU10 FRAMES



240V	35W max						
		GU10	CFL GU10	LED GU10		72mm	92mm
						Fix	Gimbal

INSTALLATION CLEARANCES:



Traditional recessed downlight kits compatible with most sizes of halogen, compact fluorescent or LED GU10 lamps.

Available in either a fixed or gimbal fittings with a white or brushed nickel finish.

12 Month Warranty.
Globes not included.

Fix:	17886/..
05 WHITE	9 312641 178866 >
13 BRUSHED NICKEL	9 312641 178880 >
Gim:	17887/..
05 WHITE	9 312641 178873 >
13 BRUSHED NICKEL	9 312641 178897 >





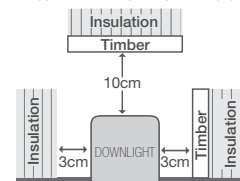
DOWNLIGHT KITS

WITH HEAT CAN AND FLEX & PLUG



240V	35W max							
		GU10	CFL GU10	LED GU10		72mm	92mm	
						Fix	Gimbal	

RECOMMENDED INSTALL CLEARANCES:



Do-It-Yourself traditional recessed downlight kits fitted with vented heat cans for extra safety and a 0.9m flex and plug cable. (A surface mounted switched socket located in roof cavity is required for a DIY installation)
Available in either a fixed or gimbal fittings with a white or brushed nickel finish.

12 Month Warranty.
Globe not included.

Fix:	17621/..
05 WHITE	9 312641 176213 >
13 BRUSHED NICKEL	9 312641 176251 >
Gim:	17622/..
05 WHITE	9 312641 176220 >
13 BRUSHED NICKEL	9 312641 176268 >





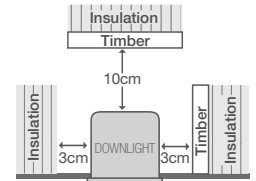
DOWNLIGHT KITS

WITH HEAT CAN



240V	35W max						
		GU10	CFL GU10	LED GU10		72mm	92mm
					Fix	Gimbal	

RECOMMENDED INSTALL CLEARANCES:



Traditional recessed downlight kits fitted with vented heat cans for extra safety. Available in either a fixed or gimbal fittings with a white or brushed nickel finish.

12 Month Warranty.
Globe not included.

Fix:	17623/..
05 WHITE	9 312641 176237 >
13 BRUSHED NICKEL	9 312641 176275 >
Gim:	17624/..
05 WHITE	9 312641 176244 >
13 BRUSHED NICKEL	9 312641 176282 >





CONVERSION PLATE

FOR FIXED DOWNLIGHTS



Made from high quality aluminium plate and powder coated for enduring lifespan. Replace old ceiling lights or downlights without plastering or painting. Can be used for low voltage or 240V downlights.

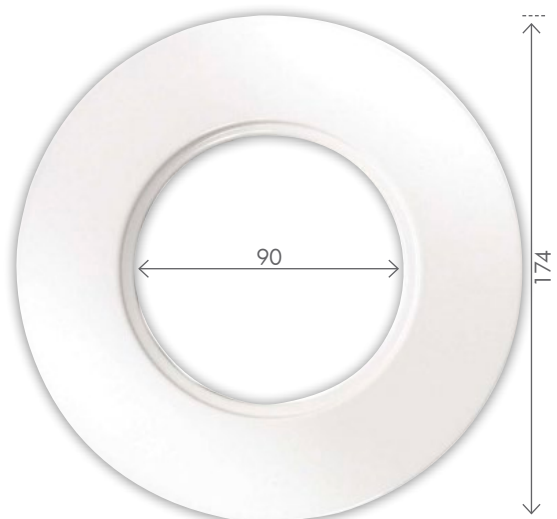
- Covers holes up to 160mm
- To suit fixed downlights with a cut-out up to 70mm
- Retained using stainless steel springs

Code:	80886/..
05 WHITE	 9 312641 886051 >



CONVERSION PLATE

FOR GIMBLE DOWNLIGHTS



Made from high quality aluminium plate and powder coated for enduring lifespan. Replace old ceiling lights or downlights without plastering or painting. Can be used for low voltage or 240V downlights.

- Covers holes up to 160mm
- To suit gimbal downlights with a cut-out up to 90mm
- Retained using stainless steel springs

Code:	80887/..
05 WHITE	 9 312641 887058 >



CONVERISON KIT

FOR 12V to 240V



240V
50W max
 GU10
 CFL GU10
 LED GU10

The 240 Volt GU10 Downlight Converter Kit is perfect if your current halogen globes are using too much energy and blowing too often.

This fitting allows the use of almost any GU10 downlight including CFL's & LED's.

This unit can be attached to most existing halogen down light fittings to allow conversion from 12v to 240v, excluding some full gimbal fittings.

Code:	80911/..
00	 9 312641 911005 >



BASEL

CABINET LIGHT



12V
20W max
0 1

Angled under cabinet light with a contemporary brushed chrome finish and frosted glass plate diffuser. Requires 12V transformer (not included). 12 Month Warranty.



Code:	81208/..
13 BRUSHED CHROME	9 312641 208310 >



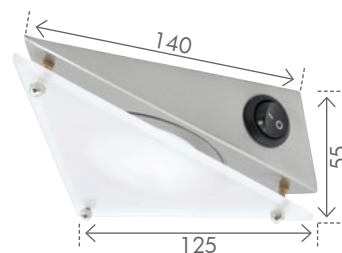
CARDIFF

CABINET LIGHT



12V
20W max
0 1

Wedge-shaped under cabinet light with a contemporary brushed chrome finish and frosted glass plate diffuser. Requires 12V transformer (not included). 12 Month Warranty.



Code:	81210/..
13 BRUSHED CHROME	9 312641 213109 >



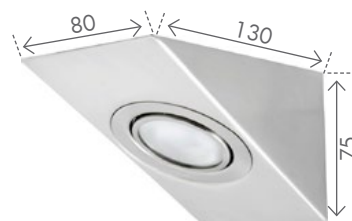
LISBON

CABINET LIGHT



12V
20W max

Angled under cabinet light with a contemporary brushed chrome finish. Requires 12V transformer (not included). 12 Month Warranty.

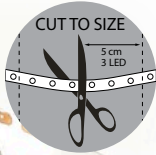


Code:	81207/..
13 BRUSHED CHROME	9 312641 312079 >



LED

DIY MODULAR STRIP LIGHTS



DIY
EASY INSTALLATION

12V

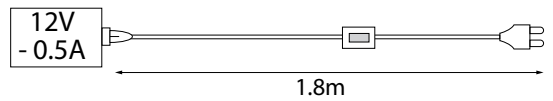
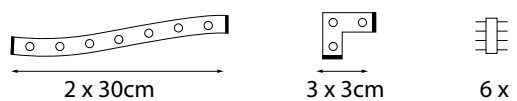
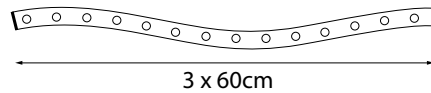
4.8W /m

300lm /m

LED

IP65

Modular LED strip lights that are ideal for accent lighting. Featuring 60 LED's per metre with pre-fitted 3M™ self-adhesive tape. Includes transformer with flex and plug. IP65 Weatherproof rated. 1 Year Warranty.



Code:	17559
COOL WHITE	 9 312641 175605 >
Code:	17558
WARM WHITE	 9 312641 175582 >



LED

DIY COLOUR CHANGING MODULAR STRIP LIGHT



DIY
EASY INSTALLATION

12V

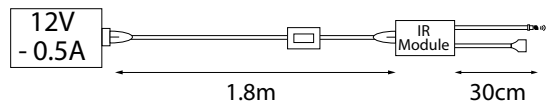
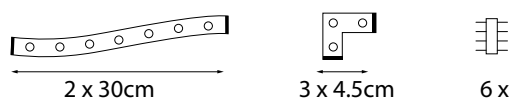
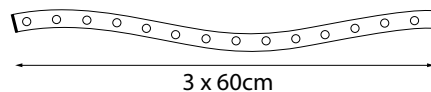
7,1W /m

300lm /m

LED

IP65

Modular LED strip lights that are ideal for accent lighting. Featuring 30 colour changing LED's per metre with pre-fitted 3M™ self-adhesive tape and remote control. Includes transformer with flex and plug. IP65 Weatherproof rated. 1 Year Warranty.



Code:	17560
RGB COLOUR CHANGING	 9 312641 175605 >



LED

DIY 5 METRE STRIP LIGHT ROLL



DIY
EASY INSTALLATION

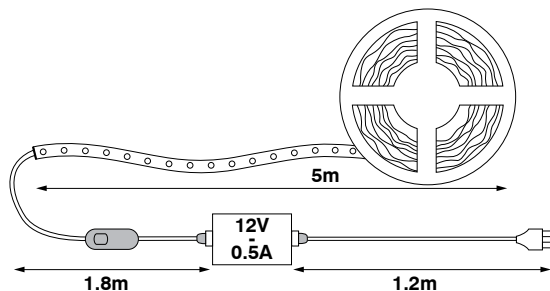
12V

4.8W
/m

300lm
/m



5 metres of LED strip lights that are ideal for accent lighting. Featuring 60 LED's per metre with pre-fitted 3M™ self-adhesive tape. Includes transformer with flex and plug. IP44 Weatherproof rated. 1 Year Warranty.

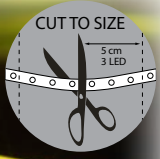


Code:	17880
COOL WHITE	9 312641 178804 >
Code:	17879
WARM WHITE	9 312641 178798 >



LED

DIY COLOUR CHANGING 5M STRIP LIGHT ROLL



DIY
EASY INSTALLATION

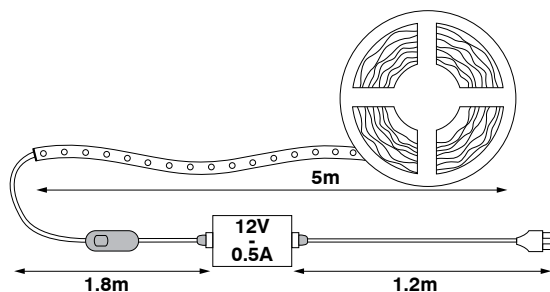
12V

6.6W
/m

300lm
/m



5 metres of LED strip lights that are ideal for accent lighting. Featuring 60 colour changing LED's per metre with pre-fitted 3M™ self-adhesive tape and remote control. Includes transformer with flex and plug. IP44 Weatherproof rated. 1 Year Warranty.



Code:	17881
RGB COLOUR CHANGING	9 312641 178811 >



SPOTLIGHTS



UPFIELD

LED TRACK & SPOTLIGHT KITS



560 LUMENS PER HEAD

240V	2x 7W	3x 7W	COB LED	Cool White 4200°K	560lm per head			INCLUDED
------	-------	-------	---------	-------------------	----------------	--	--	----------

Zinc-aluminium construction in either a gloss white or metallic silver finish with a standard single phase track.

Beam Angle: 40 degrees

Colour rendering index: >71

3 Year Warranty.

2LT:	17901/..
05 WHITE	9 312641 179016 >
11 SILVER	9 312641 180104 >
3LT:	17902/..
05 WHITE	9 312641 179023 >
11 SILVER	9 312641 180111 >





ROCKET

LED TRACK SPOTLIGHTS



560 LUMENS

240V	7W 560lm	COB LED	Cool White 4200°K	E		INCLUDED
------	-------------	---------	----------------------	---	--	----------

Zinc-aluminium construction in either a gloss white or metallic silver finish.

Beam Angle: 40 degrees

Colour rendering index: >71

Power factor: 0.97

3 Year Warranty.

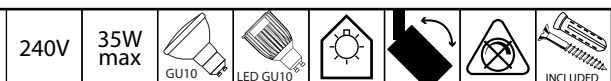


Code:	17903/..
05 WHITE	9 312641 179030 >
11 SILVER	9 312641 180128 >



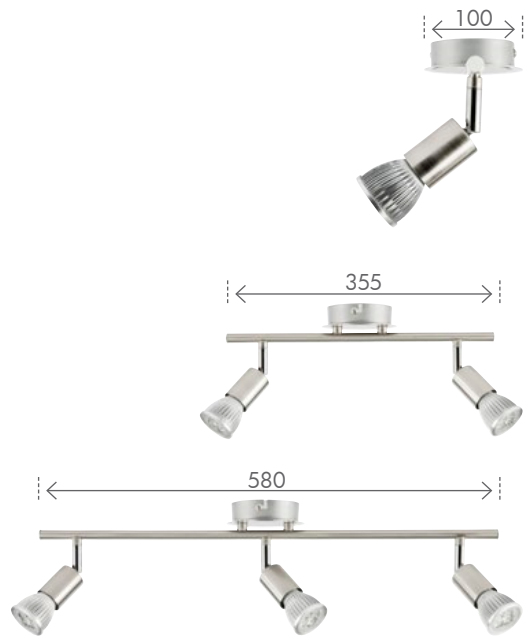
RADO

LED SPOTLIGHTS



Modern bar style spotlight range in brushed steel with chrome highlights.
 Supplied with 6W 350 lumen GU10 LED (17603) globe/s.
 2 Year Warranty.

1LT:	17761/..
13 BRUSHED STEEL	 9 312641 177616 >
2LT:	17762/..
13 BRUSHED STEEL	 9 312641 177623 >
3LT:	17763/..
13 BRUSHED STEEL	 9 312641 177630 >





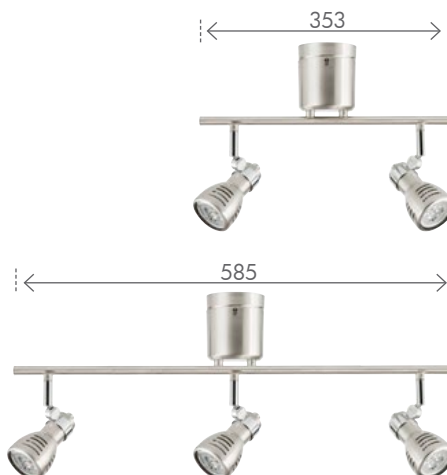
SORRENTO LED

DO-IT-YOURSELF SPOTLIGHTS



Classically designed do-it-yourself spotlight range available in brushed chrome with stunning chrome highlights. Supplied with 6W 350 lumen GU10 LED (17603) globe/s. 2-Year Warranty

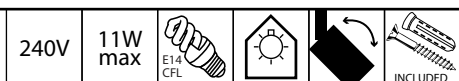
2LT:	17764/..
13 BRUSHED CHROME	 9 312641 177647 >
3LT:	17765/..
13 BRUSHED CHROME	 9 312641 177654 >





ALBA

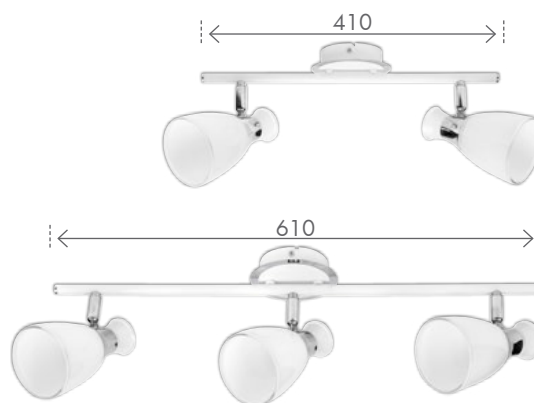
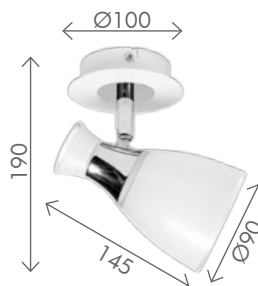
ENERGY SAVING SPOTLIGHTS



Modern decorative spotlight range with beautiful soft white glass shades and white metalware with chrome highlights.

Globes not included.
12 Month Warranty.

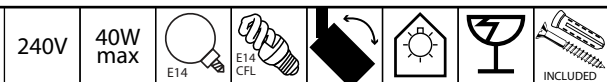
1LT:	100466/..
05 WHITE	 9 312641 466055 >
2LT:	100467/..
05 WHITE	 9 312641 467052 >
3LT:	100468/..
05 WHITE	 9 312641 468059 >






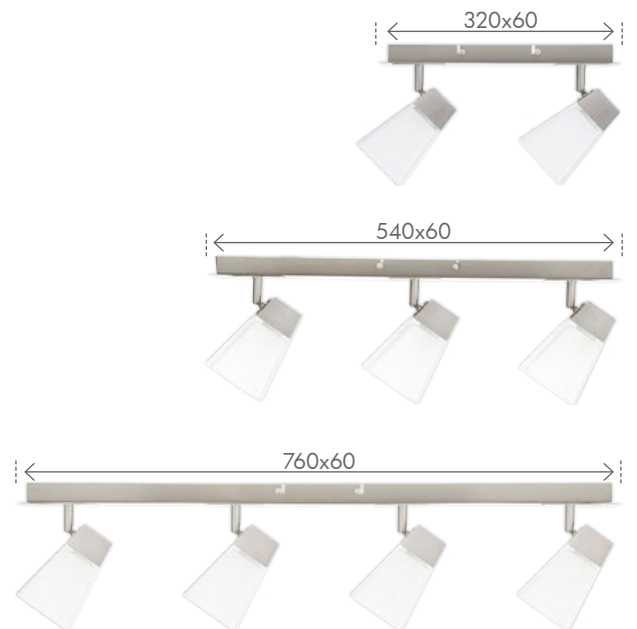
ELLIE

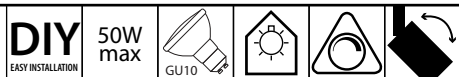
GLASS SHADE SPOTLIGHTS



Contemporary spotlight range made from brushed aluminium with polished chrome highlights. Features an elegantly crafted painted white square glass shades.
12 Month Warranty.

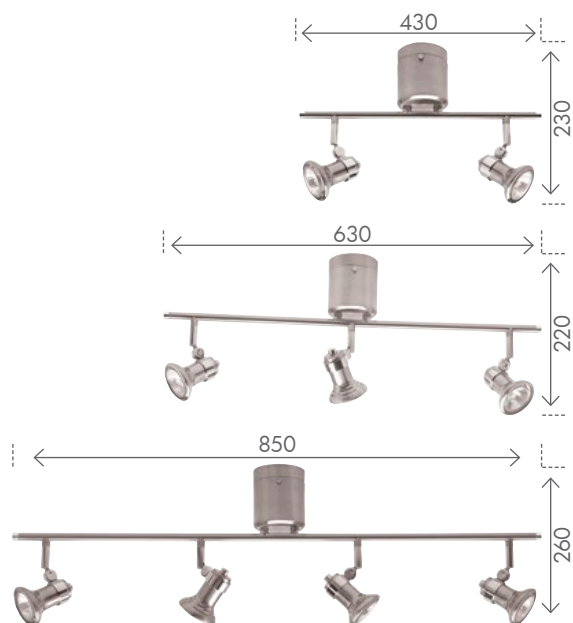
1LT:	17370/..
15 CHROME	 9 312641 173700 >
2LT:	17371/..
15 CHROME	 9 312641 173717 >
3LT:	17372/..
15 CHROME	 9 312641 173724 >
4LT:	17373/..
15 CHROME	 9 312641 173731 >





Classic halogen Do-It-Yourself spotlight range in a beautiful brushed steel finish.
12 Month Warranty.

2LT:	25150/..
13 BRUSHED STEEL	9 312641 151135 >
3LT:	25160/..
13 BRUSHED STEEL	9 312641 161134 >
4LT:	25170/..
13 BRUSHED STEEL	9 312641 171133 >





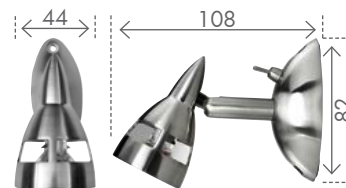
DELTA

LOW VOLTAGE CARAVAN SPOTLIGHT



12V
10W max
MR11
0 1

Low voltage wall spotlight with switch, suitable for caravans and campervans. Globe included.



Code:	10100H..
13 BRUSHED STEEL	9 312641 310105 >



GAMMA

LOW VOLTAGE LED CARAVAN SPOTLIGHT



12V
1W
LED
0 1

Low voltage wall LED spotlight with switch, suitable for caravans and campervans.

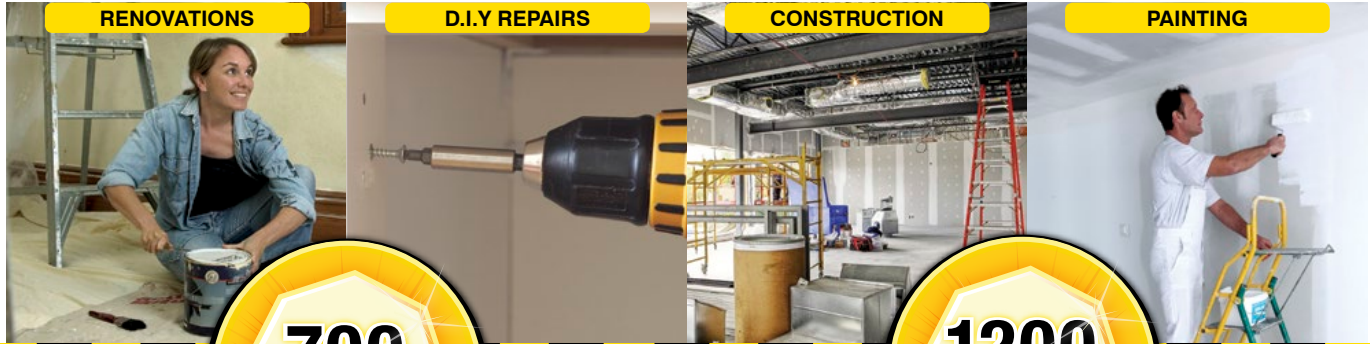


Code:	100505/..
13 BRUSHED STEEL	9 312641 505532 >



PORTALAMP

RECHARGEABLE LED FLOODLIGHT

**RENOVATIONS****D.I.Y REPAIRS****CONSTRUCTION****PAINTING**

**700
LUMENS**

**1200
LUMENS**

**AUTOMOTIVE****BOATING****CAMPING****EMERGENCY**

240V	12V	10W 700lm	20W 1200lm		Cool White 5000°K	CRI: >80	Battery: Li-ion 2200mAh				Approx Lifetime: 30,000 Hours	
		17857	18238									

Made from durable lightweight powdercoated aluminium with a fully adjustable steel frame and sturdy H-stand.

Gives you up to 3 hours run time when fully charged using its rechargeable li-ion battery.

IP65 Weatherproof rated

Includes:

12V DC Fast charge Car Charger

240 AC SAA Approved Plug Power Pack



240



285

10W:	17857/..
01 RED	
02 YELLOW	
20W:	18238/..
01 RED	
02 YELLOW	



FANS & ACCESSORIES

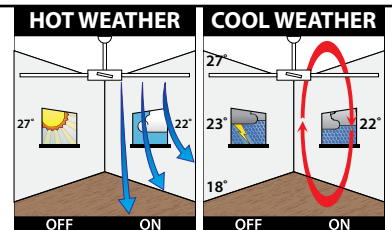


MIAMI

48" CEILING FAN WITH LIGHT



240V	50W	60W max				MDF BLADES		
MOTOR		LIGHT						

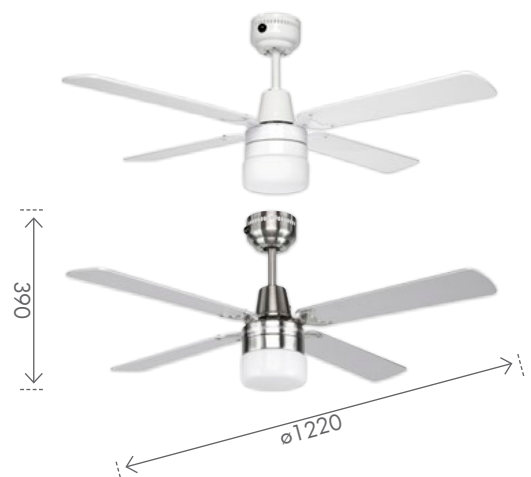


- Size: 48" (1220mm)
- Motor: 153 x 9mm (50W)
- Construction: Steel Body and Canopy
- Blades: 4 x Painted MDF
- Blade Pitch: 10 degree
- Ceiling Rake: 25 degree max
- Control: Infra-red Remote (17812)
Wall Control (17814)
- Warranty: 2 year In-Home + additional 3 years on the motor

Typically rated with Brilliant's *All-Seasons* technology for use all year round.
Comes with integrated light kit and available with or without a remote control.

SPEED	HIGH	MED	LOW
POWER	50W	31W	17W
RPM	213	154	107
AIRFLOW	4500m ³ /hr	2510m ³ /hr	1400m ³ /hr

Code:	17812/..	17814/..
Type:	With Remote	With Wall Control
05 WHITE		
13 BRUSHED CHROME		



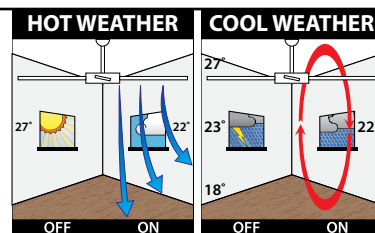


BRIGHTON

52" CEILING FAN WITH LIGHT



240V	65W	2x40W max				PLYWOOD BLADES		
MOTOR		LIGHT						

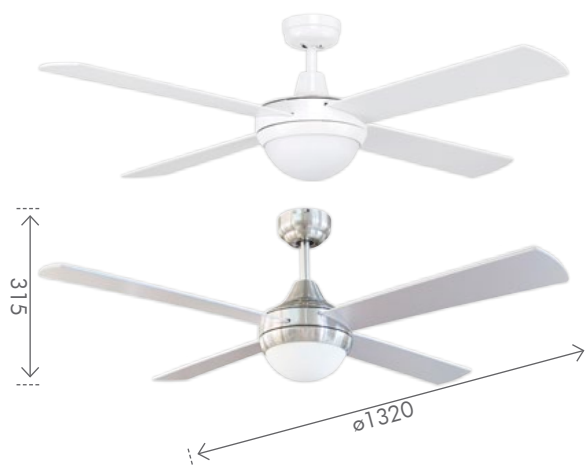


- Size: 52" (1320mm)
- Motor: 153 x 15mm (65W)
- Construction: Steel Body and Canopy
- Blades: 4 x Painted Plywood
- Blade Pitch: 11 degree
- Ceiling Rake: 32 degree max
- Control: Remote control
- Warranty: 2 year In-Home + additional 3 years on the motor

Typically rated with Brilliant's *All-Seasons* technology for use all year round.
Comes with integrated light kit.

SPEED	HIGH	MED	LOW
POWER	59W	36W	20W
RPM	185	142	95
AIRFLOW	5920m ³ /hr	3520m ³ /hr	1810m ³ /hr

Code:	100545/..
05 WHITE	
13 BRUSHED ALUMINIUM	





TEMPEST

52" CEILING FAN WITH & WITHOUT LIGHT



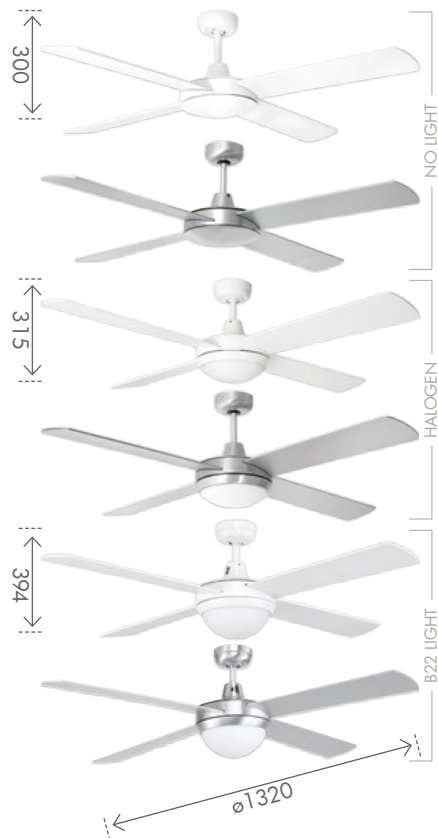
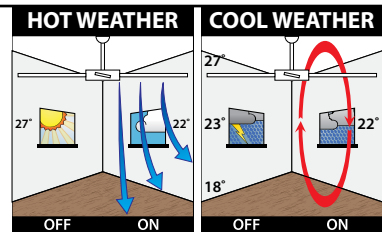
240V	50W	100W max		2x40W max				PLYWOOD BLADES	
MOTOR		HALOGEN LIGHT		B22 LIGHT					

- Size: 52" (1320mm)
- Motor: 153 x 15mm (60W)
- Construction: Diecast Aluminium Body and Canopy
- Blades: 4 x Painted Plywood
- Blade Pitch: 11 degree
- Ceiling Rake: 32 degree max
- Control: Wall (3-speed)
- Warranty: 2 year In-Home + additional 3 years on the motor

Typically rated with Brilliant's *All-Seasons* technology for use all year round.
Available with or without integrated light kit.

SPEED	HIGH	MED	LOW
POWER	55W	21W	12W
RPM	188	116	73
AIRFLOW	6149m ³ /hr	3829m ³ /hr	2496m ³ /hr

Code:	99983/..	99984/..	99988/..
Type:	Without Light	With Halogen Light	With B22 Light
05 WHITE			
13 BRUSHED ALUMINIUM			



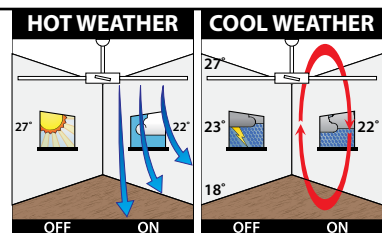


TEMPEST LED

52" CEILING FAN WITH LED LIGHT



240V	60W	24W 1400lm	Cool White 4200°K			PLYWOOD BLADES	
MOTOR		LIGHT					

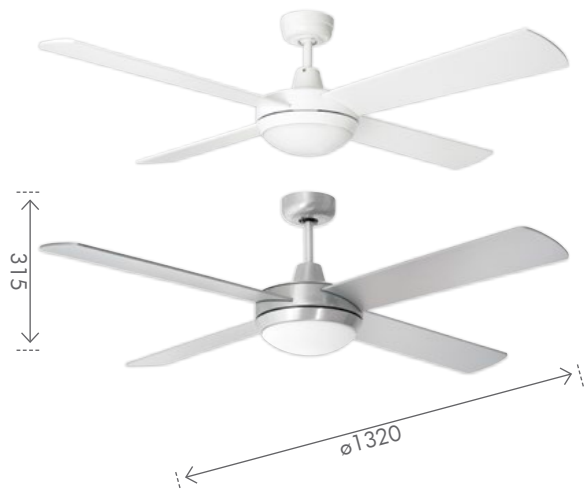


- Size: 52" (1320mm)
- Motor: 153 x 15mm (60W)
- Construction: Diecast Aluminium Body and Canopy
- Blades: 4 x Painted Plywood
- Blade Pitch: 11 degree
- Ceiling Rake: 32 degree max
- Light: 24W 1400 lumen SMD LED Array (70 x OSRAM LED5630) CRI >80
- Control: Wall (3-speed)
- Warranty: 2 year In-Home + additional 3 years on the motor

Typically rated with Brilliant's *All-Seasons* technology for use all year round.

SPEED	HIGH	MED	LOW
POWER	55W	21W	12W
RPM	188	116	73
AIRFLOW	6149m ³ /hr	3829m ³ /hr	2496m ³ /hr

Code:	17899/..
05 WHITE	9 312641 178996 >
13 BRUSHED ALUMINIUM	9 312641 179009 >



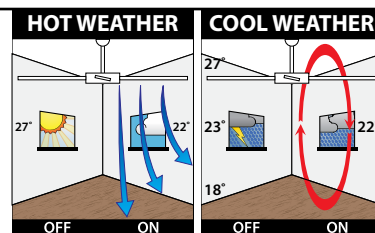


SUPER TEMPEST

52" CEILING FAN WITH & WITHOUT LIGHT



240V	70W	2x20W max			PLYWOOD BLADES	
FAN		LIGHT				

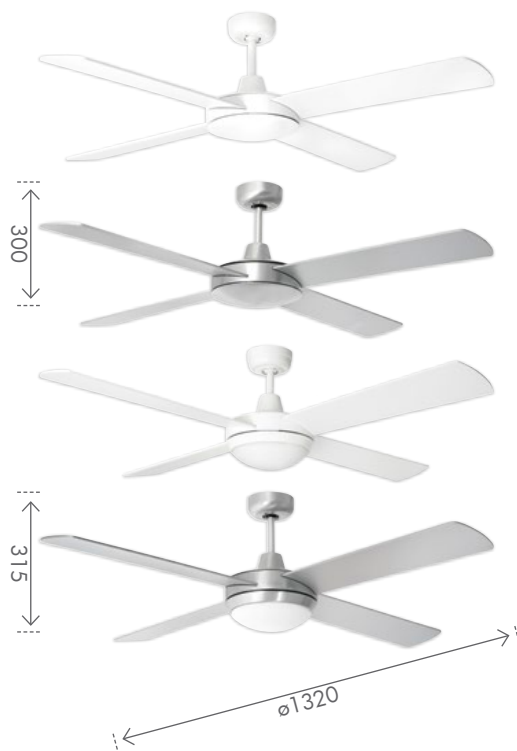


- Rating: High Performance
- Size: 52" (1320mm)
- Motor: 188 x 15mm (70W)
- Construction: Diecast Aluminium Body and Canopy
- Blades: 4 x Painted Plywood
- Blade Pitch: 13 degree
- Ceiling Rake: 32 degree max
- Control: Wall (3-speed)
- Warranty: 2 year In-Home + additional 3 years on the motor

Typically rated with Brilliant's *All-Seasons* technology for use all year round.
Available with or without integrated light kit.

SPEED	HIGH	MED	LOW
POWER	70W	32W	11W
RPM	218	146	79
AIRFLOW	12500m ³ /hr	8150m ³ /hr	4600m ³ /hr

Code:	100667/..	100668/..
Type:	Without Light	With Light
05 WHITE		
13 BRUSHED ALUMINIUM		



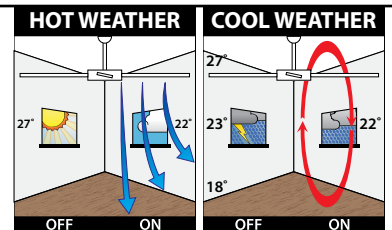


CHINOOK

52" 5-BLADE CEILING FAN WITH LIGHT



240V	60W	2x60W max				PLYWOOD BLADES	
MOTOR		LIGHT					



- Size: 52" (1320mm)
- Motor: 153 x 18mm (60W)
- Construction: Metal Body and Canopy
- Blades: 5 x Black Painted Plywood
5 x Silver Painted Plywood
- Blade Pitch: 11 degree
- Ceiling Rake: 32 degree max
- Light: 2 x 60W max. E27 lampholders
(globes not included)
- Control: Wall (3-speed)
- Warranty: 2 year In-Home + additional 3 years on the motor

Typically rated with Brilliant's *All-Seasons* technology for use all year round.

SPEED	HIGH	MED	LOW
POWER	60W	41W	20W
RPM	175	142	79
AIRFLOW	5500m ³ /hr	3000m ³ /hr	1800m ³ /hr

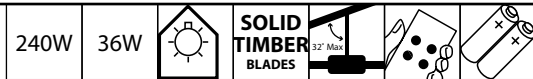
Code:	17996/..
13 BRUSHED NICKEL	
	9 312641 179962 >





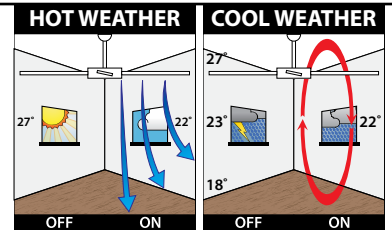
GALAXY

54" PROPELLER STYLE CEILING FAN



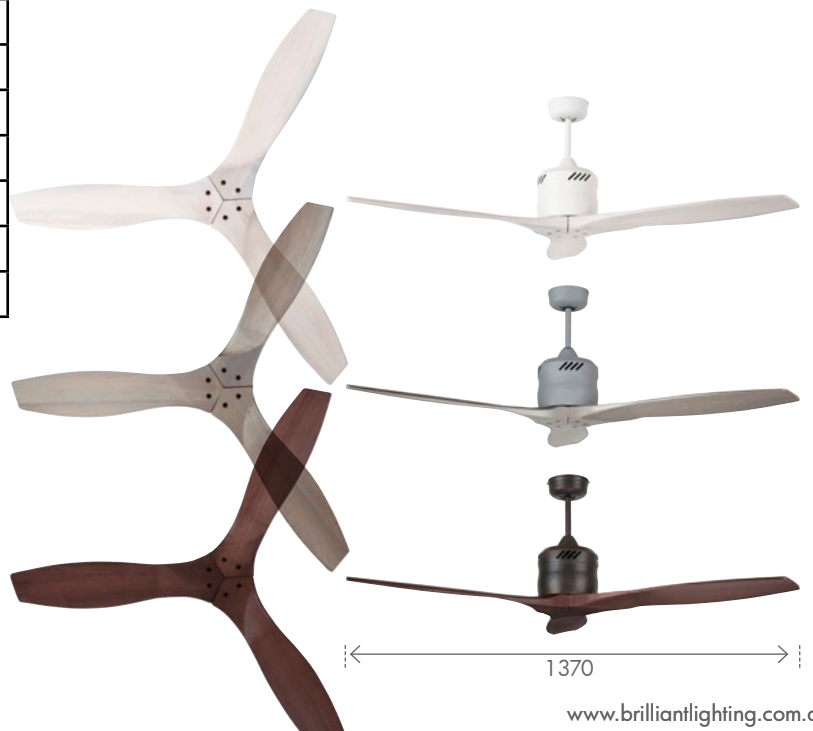
- Size: 54" (1370mm)
- Motor: Energy Efficient DC Motor (36W)
- Construction: Metal Body and Canopy
- Blades: 3 x Handcrafted Solid Timber
- Blade Pitch: 20 degree (average)
- Ceiling Rake: 35 degree max
- Control: LCD Remote (6-speed)
- Warranty: 2 year In-Home + additional 3 years on the motor

Typically rated with Brilliant's *All-Seasons* technology for use all year round.
Matching 900mm (36") Extension Rods with loom also available.



SPEED	POWER	RPM	AIRFLOW
TOP	36W	223	13537m ³ /hr
HIGH	15W	172	10560m ³ /hr
M-HIGH	8W	135	8100m ³ /hr
MEDIUM	4W	102	6120m ³ /hr
M-LOW	2W	70	4200m ³ /hr
LOW	1W	56	3360m ³ /hr

Code:	17997/..	18240/..
	Fan	Extension Rod
05 WHITE		
11 SILVER		
14 BRONZE		





VORTEX-3

52" CEILING FAN

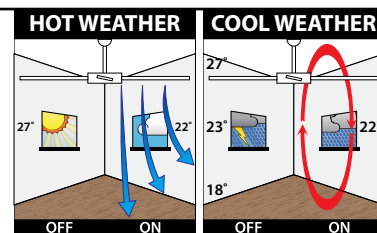


HIGH
performance



240V	60W		METAL BLADES		32° Max
------	-----	--	------------------------	--	---------

- Rating: Industrial Strength
- Size: 52" (1320mm)
- Motor: 188 x 15mm (60W)
- Construction: Stainless Steel (316) Body and Canopy
- Blades: 3 x Stainless Steel (316)
- Blade Pitch: 22 degree (17+5)
- Ceiling Rake: 32 degree max
- Control: Wall (3-speed)
- Warranty: 2 year In-Home + additional 3 years on the motor



Typically rated with Brilliant's *All-Seasons* technology for use all year round.
 Can be installed in many locations around the home including outdoor under covered areas.
 Fully light adaptable.

SPEED	HIGH	MED	LOW
POWER	55W	35W	13W
RPM	221	179	104
AIRFLOW	12292m ³ /hr	8517m ³ /hr	4779m ³ /hr

Code:	100538/..
16 STAINLESS STEEL (316)	



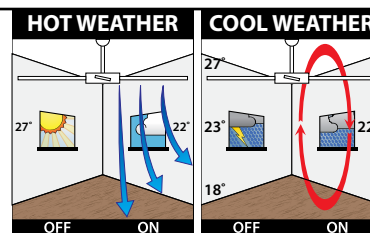


VORTEX-4

48" CEILING FAN



Rating: Industrial Strength
 Size: 48" (1220mm)
 Motor: 188 x 15mm (60W)
 Construction: Stainless Steel (316) Body and Canopy
 Blades: 4 x Stainless Steel (316)
 Blade Pitch: 22 degree (17+5)
 Ceiling Rake: 32 degree max
 Control: Wall (3-speed)
 Warranty: 2 year In-Home + additional 3 years on the motor



Typically rated with Brilliant's *All-Seasons* technology for use all year round.
 Can be installed in many locations around the home including outdoor under covered areas.
 Fully light adaptable.

SPEED	HIGH	MED	LOW
POWER	55W	31W	12W
RPM	251	190	113
AIRFLOW	12693m ³ /hr	8683m ³ /hr	5091m ³ /hr

Industrial STRENGTH



Code: **100537/..**

16 STAINLESS STEEL (316)

9 312641 005377 >

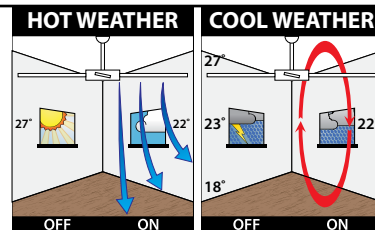


VORTEX-4

52" CEILING FAN



Rating: Industrial Strength
 Size: 52" (1320mm)
 Motor: 188 x 20mm (75W)
 Construction: Stainless Steel (316) Body and Canopy
 Blades: 4 x Stainless Steel (316)
 Blade Pitch: 22 degree (17+5)
 Ceiling Rake: 32 degree max
 Control: Wall (3-speed)
 Warranty: 2 year In-Home + additional 3 years on the motor



Typically rated with Brilliant's All-Seasons technology for use all year round.
 Can be installed in many locations around the home including outdoor under covered areas.
 Fully light adaptable.

SPEED	HIGH	MED	LOW
POWER	72W	32W	11W
RPM	263	178	97
AIRFLOW	14941m ³ /hr	9893m ³ /hr	5522m ³ /hr



Code:	100536/..
16 STAINLESS STEEL (316)	9 312641 005360 >

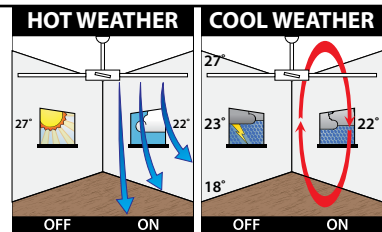


VORTEX-4

56" CEILING FAN



Rating: Industrial Strength
 Size: 56" (1420mm)
 Motor: 188 x 20mm (75W)
 Construction: Stainless Steel (316) Body and Canopy
 Blades: 4 x Stainless Steel (316)
 Blade Pitch: 22 degree (17+5)
 Ceiling Rake: 32 degree max
 Control: Wall (3-speed)
 Warranty: 2 year In-Home + additional 3 years on the motor



Typically rated with Brilliant's All-Seasons technology for use all year round.
 Can be installed in many locations around the home including outdoor under covered areas.
 Fully light adaptable.

SPEED	HIGH	MED	LOW
POWER	70W	32W	11W
RPM	224	151	81
AIRFLOW	13302m ³ /hr	8767m ³ /hr	5109m ³ /hr

Industrial STRENGTH



Code: **100539/..**

16 STAINLESS STEEL (316)

9 312641 005391 >




ADELLE

CLIPPER FAN LIGHT KIT



Modern clipper style fan light to suit most Brilliant ceiling fans. Features clip-on style glossy white opal glass.
Remote control compatible.
12 Month Warranty.

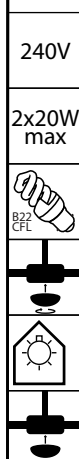


Code:	100650/..
05 WHITE	 9 312641 006503 >
13 BRUSHED CHROME	 9 312641 006510 >



SUPER TEMPEST

FAN LIGHT KIT



Modern fan light to suit Brilliant's Super Tempest ceiling fans. Features a cast aluminium base with a screw-on style matte opal glass diffuser.
Remote control compatible.
12 Month Warranty.



Code:	100671/..
05 WHITE	 9 312641 006718 >
13 BRUSHED ALUMINIUM	 9 312641 006725 >



ARIEL

CLIPPER FAN LIGHTS



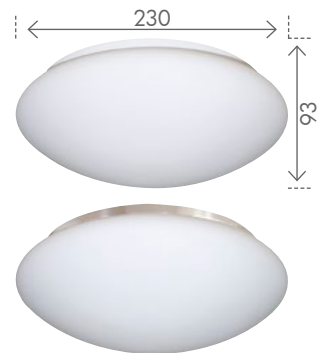
240V	60W max			2x40W max				
		E27	E27 CFL		B22	B22 CFL		
		Models: 25250 & 25251		Model: 25254				

Classically styled mushroom shaped clipper fan light to suit most Brilliant ceiling fans. Features a clip-on style glass diffuser.

Available in white or brushed steel finish with either a matte opal or matte alabaster glass diffuser.

Remote control compatible.

12 Month Warranty.

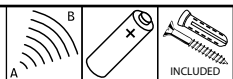


Code:	25250/..	25251/..	25254/..
Type:	1xE27 Matte Opal Glass	1xE27 Matte Alabaster Glass	2xB22 Matte Opal Glass
05 WHITE	 9 312641 502500 >	 9 312641 251057 >	 9 312641 254058 >
13 BRUSH STEEL	 9 312641 250319 >	 9 312641 312512 >	 9 312641 314523 >



REMOTES

UNIVERSAL CEILING FAN



Universal radio frequency ceiling fan remote controls with Brilliant's unique quick connect plug-in design. Quick connect allows our remotes to be installed seamlessly in minutes with any Brilliant fan without any wire trimming or joining.

Compatible with most other brands of ceiling fans.

Includes wall bracket and batteries.

12 month Warranty.

FEATURE	BASIC	DELUXE
DISPLAY	N/A	LCD
INPUT	Soft Touch Buttons	Soft Touch Buttons
FAN	ON/OFF	ON/OFF/AUTO
SPEED	LOW/MED/HIGH	LOW/MED/HIGH
LIGHT	ON/OFF	ON/OFF/DIM
TIMER	N/A	Up to 9 Hours
OTHER		Can not be used in conjunction with fluorescent or cfl models.

Basic:	99999
Deluxe:	99998





EXTENSION RODS

900mm WITH & WITHOUT LOOM



Recommended Installation Height

Any ceiling fan should be at least 2.1 metres from the floor to the blades of the fan and at least 300mm from the ceiling.

Ceiling Height

If you have ceilings above 3 metres, you may require an extension rod. Brilliant has a range of extension rods in colours that match our fan range.

Extension Rod Range

The basic version is supplied without wiring looms and can be cut to length (if required). Our deluxe version comes with an easy connect wiring loom already fitted for quick and simple installation by a qualified professional.



Code:	47801/..	Code:	100550/..
Type:	900mm without loom	Type:	900mm with loom
05 WHITE			
13 BRUSHED CHROME		13 BRUSHED CHROME	
Code:	47821/..	Code:	100666/..
11 BRUSHED ALUMINIUM		16 STAINLESS STEEL	

47802/00
1m Wiring Loom



BATHROOM &
VENTILATION



BETTE

T5 FLUORO VANITY LIGHT



240V	14W max	21W max	T5	Cool White 4200°K		INCLUDED
------	---------	---------	----	-------------------	--	----------

Centre mounted vanity light specifically designed for use in bathrooms, kitchens and laundries.

Features T5 fluorescent technology and an electronic ballast for flicker free activation that will provide ample light to minimise shadows without being overpowering.

12 Month Warranty.

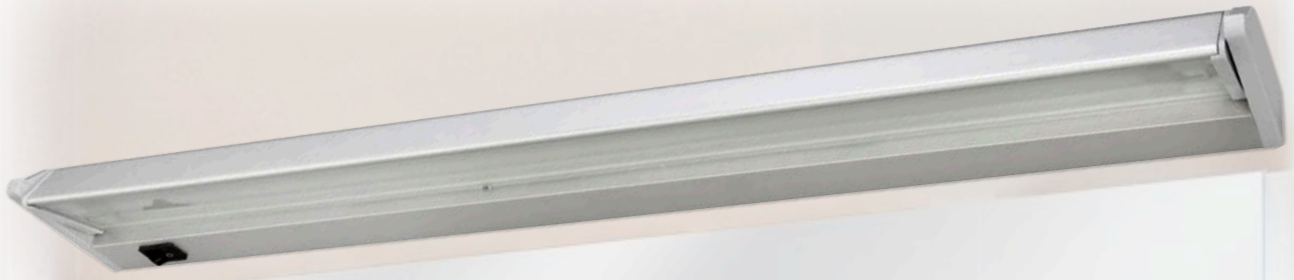
14W:	90113/..
15 CHROME	9 312641 913153 >
21W:	90114/..
15 CHROME	9 312641 914150 >





GRETA



T5 FLUORO SLIMLINE VANITY LIGHT

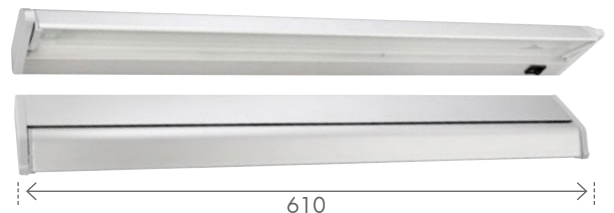


Slimline vanity light specifically designed for use in bathrooms, kitchens and laundries with an adjustable reflector and on/off switch.

Features T5 fluorescent technology and an electronic ballast for flicker free activation that will provide ample light to minimise shadows without being overpowering.

12 Month Warranty.

14W:	90115/..
11 SILVER	 9 312641 915119 >
21W:	90116/..
11 SILVER	 9 312641 916116 >





JEAN

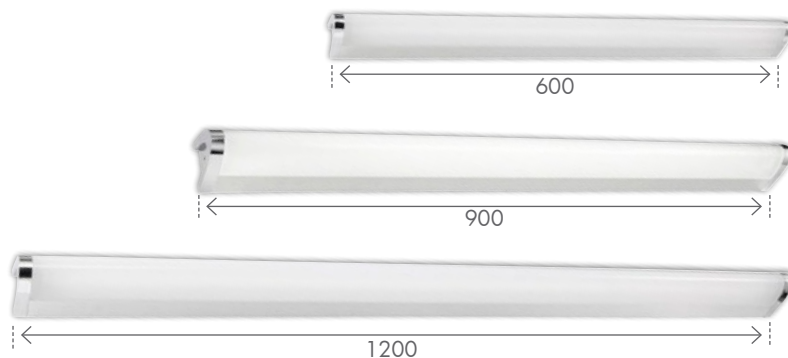
T5 FLUORO VANITY LIGHT



240V	14W max	21W max	28W max	T5	Cool White 4200°K			INCLUDED
------	---------	---------	---------	----	-------------------	--	--	----------

Stylish vanity light specifically designed for use in bathrooms, kitchens and laundries with an acrylic diffuser and bright chrome ends. Features T5 fluorescent technology and an electronic ballast for flicker free activation that will provide ample light to minimise shadows without being overpowering. 12 Month Warranty.

14W:	90112/..
11 SILVER	9 312641 912118 >
21W:	90111/..
11 SILVER	9 312641 911111 >
28W:	90110/..
11 SILVER	9 312641 911012 >





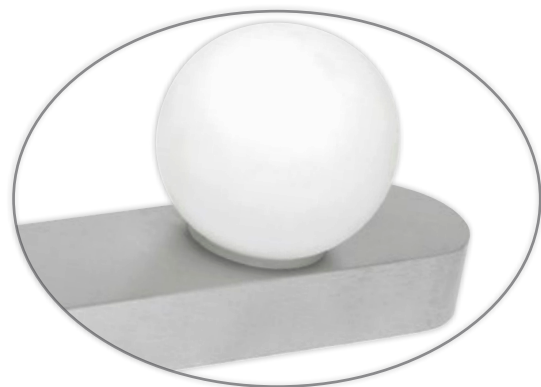
RITA

RETRO VANITY LIGHT

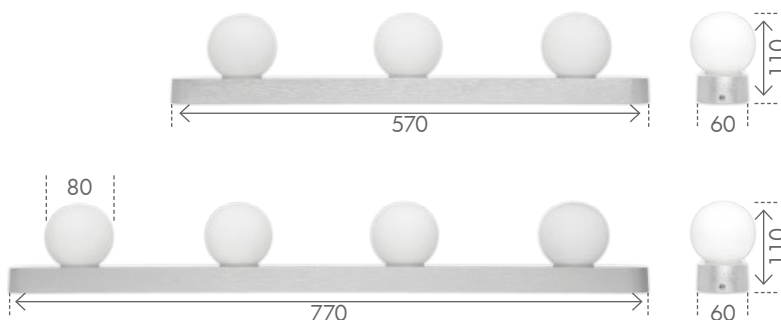


240V	3x 40w max	4x 40w max	G9		INCLUDED
------	------------------	------------------	----	--	----------

Vintage styled Hollywood/Broadway vanity lights specially designed for use in bathrooms, kitchens, laundries and powder rooms. Features a stylish brushed aluminium base plate with retro opal glass "bulbs".
12 Month Warranty.



3LT:	17374/..
20 BRUSHED ALUMINIUM	9 312641 173748 >
4LT:	17375/..
20 BRUSHED ALUMINIUM	9 312641 173755 >







BONO

HALOGEN WALL LIGHT



240V
40W max
 G9


 INCLUDED

3 Light halogen wall light with cylindrical opal glass diffusers mounted on a bright chrome rectangular base.
12 Month Warranty.



Code:	99966/..
15 CHROME	 9 312641 966159 >



ANDROMEDA

3-IN-1 BATHROOM MATE



240V	13W 1000lm	Colour Temp 4000°K		35W max	2 x 1100W		35W max			
	LIGHT		EXHAUST	HEATER	FAN					

INCLUDES		

Powerful and efficient 3-in-1 Bathroom Mate designed to suit small to medium bathrooms with a maximum ceiling height of 2.4m.

Features a dedicated 13W SMD LED Panel Light, 2 x 1100W PTC ceramic heating elements to warm your bathroom, an exhaust fan plus a fan to circulate air in your bathroom.

This unit is fitted with a thermostat switch that will automatically turn on if the internal temperature exceeds 80°C.

3 Year Replacement Warranty.

Includes 4 gang wall switch, 1.5m ducting and exterior vent.

EXHAUST					FAN			HEAT	LIGHT
Fan Size (mm)	Current Rating (A)	m ³ /min	m ³ /hr	L/sec	Fan Size (mm)	Current Rating (A)	m ³ /hr	Current Rating (A)	Current Rating (A)
160	0.145	≤4.0	≤240	≤67	160	0.145	200	9.167	0.058



Code:	18270/..
05 WHITE	



CETARO

ROUND EXHAUST FAN WITH LIGHT



240V	20W max	22W max	T5	4200K COOL WHITE	16W 1000lm	SMD LED	4500K COOL WHITE	250mm	Min 220mm
	MOTOR		FLUORESCENT			LED			

Modern round design exhaust fan with a dedicated energy efficient 22W T5 circular fluorescent tube or 16W 1000 Lumen LED Array.

Features a removable cover and diffuser along with a super efficient and quiet 20W motor with 129mm fan and a 100mm side exhaust duct to prevent ceiling objects falling through. 3-Year Replacement Warranty.

Duct kits available in 1.5m or 3m.

Model	EXHAUST						LIGHT
	Fan Size (mm)	Current Rating (A)	Noise (dB)	m ³ /min	m ³ /hr	L/sec	Current Rating (A)
Fluorescent	129	0.083	≤45	≤2.5	≤150	≤42	0.092
LED	129	0.083	≤45	≤2.5	≤150	≤42	0.067



Code:	18098/..	17916/..
Type:	FLUORESCENT	LED
05 WHITE		



FLITE

3-IN-1 BATHROOM MATE



240V	11W max		Colour Temp 5000°K	7W max	2 x 275W max					
		R63 CFL				R125		185 x 345mm	Min 220mm	INCLUDED
		LIGHT		EXHAUST	HEAT					INCLUDES

2 Light 3-in-1 Bathroom Mate designed to suit small to medium bathrooms with a maximum ceiling height of 2.4m. Features an energy saver 11W compact florescent globe, 2 x 275W infra-red heat globes and an exhaust fan.

This unit is fitted with a thermostat switch that will automatically turn on if the internal temperature exceeds 80°C.

3 Year Replacement Warranty.

Includes 3 gang wall switch, 1.5m ducting and exterior vent.

EXHAUST					HEAT	LIGHT
Fan Size (mm)	Current Rating (A)	m ³ /min	m ³ /hr	L/sec	Current Rating (A)	Current Rating (A)
100	0.029	≤4.0	≤240	≤67	2.292	0.046

Code:	99957/..
16 STAINLESS STEEL	





MAJESTIC

3-IN-1 BATHROOM MATES



240V	11W max		Colour Temp 4100°K	15W max		Colour Temp 4100°K	7-10W max	2 or 4 275W max									
		VELOCITY2 LIGHT		VELOCITY4 LIGHT		EXHAUST		HEAT			2 LIGHT	4 LIGHT					INCLUDES

2 Light 3-in-1 Bathroom Mates designed to suit small to medium bathrooms with a maximum ceiling height of 2.4m.

4 Light 3-in-1 Bathroom Mate designed to suit medium to large bathrooms with a maximum ceiling height of 2.7m

Both feature an energy saver reflector compact fluorescent globe, 2 or 4 275W infra-red heat globes and an exhaust fan.

This unit is fitted with a thermostat switch that will automatically turn on if the internal temperature exceeds 80°C.

3 Year Replacement Warranty.

Includes 3 or 4 gang wall switch, 1.5m ducting and exterior vent.



Model	EXHAUST					HEAT		LIGHT
	Fan Size (mm)	Current Rating (A)	m ³ /min	m ³ /hr	L/sec	2 x Current Rating (A)	4 x Current Rating (A)	Current Rating (A)
Majestic2	100	0.029	≤4.0	≤240	≤67	2.292	#NA	0.046
Majestic4	100	0.042	≤4.0	≤240	≤67	2.292	4.583	0.063

2LT:	17976/..
05 WHITE	
11 SILVER	
4LT:	17975/..
05 WHITE	
11 SILVER	





SARICO-II

SQUARE EXHAUST FAN



240V	DIY EASY INSTALLATION	25W max	240mm	28W max	290mm		Min 220mm	
		270		325				

Square design exhaust fan with removable cover with a long life whisper quiet 25W or 28W ball bearing motor. Features easy installation clamps to secure fan into place, a 150mm side exhaust duct to prevent ceiling objects falling through and side damper.

Requires a switched surface socket for DIY installation. Available with a white or stainless steel face plate. 12 Month Replacement Warranty.

Duct kits available in 1.5m or 3m.

Model	EXHAUST					
	Fan Size (mm)	Current Rating (A)	Noise (dB)	m ³ /min	m ³ /hr	L/sec
Sarico II-270	124	0.113	≤45	≤4.5	≤270	≤75
Sarico II-325	140	0.146	≤45	≤5.3	≤320	≤89

Code:	18193/..	18194/..
Type:	SARICOII-270	SARICOII-325
05 WHITE	9 312641 181934 >	9 312641 181941 >
16 STAINLESS STEEL	9 312641 181958 >	9 312641 182009 >





SUPERNOVA LED

3-IN-1 BATHROOM MATE WITH LED LIGHT



240V	11W rated 14W w/driver		Cool White 4200°K		35W max	2 or 4 275W max								
LIGHT			EXHAUST			HEAT		2 LIGHT		4 LIGHT		INCLUDES		

2 Light 3-in-1 Bathroom Mates designed to suit small to medium bathrooms with a maximum ceiling height of 2.4m.

4 Light 3-in-1 Bathroom Mate designed to suit medium to large bathrooms with a maximum ceiling height of 2.7m

Features an 800 lumen Umbra-II LED Downlight with a 100 degree beam angle as the centre light source, 2 or 4 x 275W infra-red heat globes and a high velocity exhaust fan.

This unit is fitted with a thermostat switch that will automatically turn on if the internal temperature exceeds 90°C.

3 Year Replacement Warranty.

Includes 3 or 4 gang wall switch, 1.5m aluminium duct and exterior vent.



Model	EXHAUST			HEAT		LIGHT		
	Fan Size (mm)	Current Rating (A)	m ³ /min	m ³ /hr	L/sec	2 x Current Rating (A)	4 x Current Rating (A)	Current Rating (A)
Supernova2	150	0.146	≤8.3	≤500	≤138	2.292	#NA	0.058
Supernova4	150	0.146	≤8.3	≤500	≤138	2.292	4.583	0.058

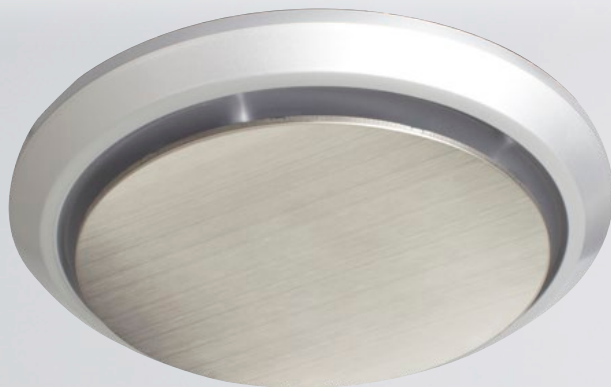
2LT:	18271/..
05 WHITE	
11 SILVER	
4LT:	18273/..
05 WHITE	
11 SILVER	





TALON

ROUND EXHAUST FAN



EASY INSTALLATION CLAMP



240V	DIY EASY INSTALLATION	25W max		28W max			
		270		325			

Round design exhaust fan with removable cover with a long life whisper quiet 25W or 28W ball bearing motor. Features easy installation clamps to secure fan into place, a 150mm side exhaust duct to prevent ceiling objects falling through and side damper.

Requires a switched surface socket for DIY installation. Available with a white or stainless steel face plate. 12 Month Replacement Warranty.

Duct kits available in 1.5m or 3m.

Model	EXHAUST					
	Fan Size (mm)	Current Rating (A)	Noise (dB)	m ³ /min	m ³ /hr	L/sec
Talon-270	124	0.113	≤45	≤4.5	≤270	≤75
Talon-325	140	0.146	≤45	≤5.3	≤320	≤89

Code:	18255/..	18190/..
Type:	TALON-270	TALON-320
05 WHITE		
16 STAINLESS STEEL		





TARANTO

SQUARE EXHAUST FAN WITH LIGHT



240V	20W max	22W max	T5	4200K COOL WHITE	16W 1000lm	SMD LED	4500K COOL WHITE	245 x 245mm	Min 220mm
	MOTOR		FLUORESCENT			LED			

Modern square design exhaust fan with a dedicated energy efficient 22W T5 circular fluorescent tube or 16W 1000 Lumen LED Array.

Features a removable cover and diffuser along with a super efficient and quiet 20W motor with 129mm fan and a 100mm side exhaust duct to prevent ceiling objects falling through. 3-Year Replacement Warranty.

Duct kits available in 1.5m or 3m.

Model	EXHAUST						LIGHT
	Fan Size (mm)	Current Rating (A)	Noise (dB)	m ³ /min	m ³ /hr	L/sec	Current Rating (A)
Fluorescent	129	0.083	≤45	≤2.5	≤150	≤42	0.092
LED	129	0.083	≤45	≤2.5	≤150	≤42	0.067

Code:	100007/..	17915/..
Type:	FLUORESCENT	LED
05 WHITE		





TERCEL

SQUARE EXHAUST FAN WITH LED LIGHT



240V	25W max	13W 1000lm	Cool White 4200°K	SMD LED	270 x 270mm		Min 220mm	
MOTOR		LIGHT						

Modern square design exhaust fan with a dedicated energy efficient 13W 1000 Lumen SMD LED Panel in Cool White 4200°K.

Features a removable cover and diffuser along with a super efficient and quiet 25W motor with 134mm fan and a 100mm side exhaust duct to prevent ceiling objects falling through.

3-Year Replacement Warranty.

Duct kits available in 1.5m or 3m.

EXHAUST						LIGHT
Fan Size (mm)	Current Rating (A)	Noise (dB)	m ³ /min	m ³ /hr	L/sec	Current Rating (A)
134	0.104	≤50	≤5.3	≤320	≤89	0.033



Code:	18192/..
05 WHITE	9 312641 181927 >



VELOCITY

3-IN-1 BATHROOM MATES



240V	11W max		Colour Temp 5000°K	15W max		Colour Temp 5000°K	7-10W max	2 or 4 275W max									
		VELOCITY2 LIGHT			VELOCITY4 LIGHT		EXHAUST	HEAT			2 LIGHT	4 LIGHT					INCLUDES

2 Light 3-in-1 Bathroom Mates designed to suit small to medium bathrooms with a maximum ceiling height of 2.4m.

4 Light 3-in-1 Bathroom Mate designed to suit medium to large bathrooms with a maximum ceiling height of 2.7m.

Both feature an energy saver reflector compact fluorescent globe, 2 or 4 275W infra-red heat globes and an exhaust fan.

This unit is fitted with a thermostat switch that will automatically turn on if the internal temperature exceeds 80°C.

3 Year Replacement Warranty.

Includes 3 or 4 gang wall switch, 1.5m ducting and exterior vent.

	EXHAUST					HEAT		LIGHT
Model	Fan Size (mm)	Current Rating (A)	m ³ /min	m ³ /hr	L/sec	2 x Current Rating (A)	4 x Current Rating (A)	Current Rating (A)
Velocity2	100	0.029	≤4.0	≤240	≤67	2.292	#NA	0.046
Velocity4	100	0.042	≤4.0	≤240	≤67	2.292	4.583	0.063

2LT:	99955/..
05 WHITE	
4LT:	99956/..
05 WHITE	





VENETO

3-IN-1 BATHROOM MATE



240V	60W max			7W max	2 x 275W max					
		LIGHT		EXHAUST	HEAT				1.5m	Exterior Vent
										INCLUDES

2 Light 3-in-1 Bathroom Mate designed to suit small to medium bathrooms with a maximum ceiling height of 2.4m. Features a R63 reflector globe but is also compatible with energy saver compact fluorescent globes, 2 x 275W infra-red heat globes and an exhaust fan. This unit is fitted with a thermostat switch that will automatically turn on if the internal temperature exceeds 80°C. 3 Year Replacement Warranty.

Includes 3 gang wall switch, 1.5m ducting and exterior vent.

EXHAUST					HEAT	LIGHT
Fan Size (mm)	Current Rating (A)	m ³ /min	m ³ /hr	L/sec	Current Rating (A)	Current Rating (A)
100	0.029	≤2.0	≤120	≤33	2.292	0.250

Code:	99980/..
05 WHITE	
13 BRUSHED CHROME	





WHISPER

ROUND EXHAUST FAN



240V	DIY EASY INSTALLATION	27W max		35W max				
		240	235mm	300	285mm			

Round design high velocity exhaust fan with removable cover along with a whisper quiet 27 or 35W ball bearing motor. Features easy installation clamps to secure fan into place, and draft stopper to prevent unwanted airflow coming back through the exhaust fan. Requires a switched surface socket for DIY installation. 3-Year Replacement Warranty.

Duct adaptors available in small (18207) or large (18208).



Model	EXHAUST					
	Fan Size (mm)	Current Rating (A)	Noise (dB)	m ³ /min	m ³ /hr	L/sec
Whisper240	200	0.113	≤50	≤8.3	≤500	≤139
Whisper300	255	0.146	≤52	≤12.5	≤750	≤208



Code:	18203/..	18204/..
Type:	WHISPER240	WHISPER300
05 WHITE		



BOREAL LED

EXHAUST FAN WITH LED LIGHT



240V	DIY EASY INSTALLATION	11W rated 14W w/driver	SMD LED	Warm White 3000°K	IP44	25W max	240mm	28W max	290mm		Min 220mm	
				LIGHT			270			325		

Round design exhaust fan with 800 lumen Umbra-II LED Downlight with a 100 degree beam angle as the centre light source with removable cover with a long life whisper quiet 25W or 28W ball bearing motor. Features easy installation clamps to secure fan into place, a 100mm side exhaust duct to prevent ceiling objects falling through and side damper.

Requires a switched surface socket for DIY installation.

Available with a white or stainless steel face plate.

3 Year Replacement Warranty.

Duct kits available in 1.5m or 3m.

Model	EXHAUST						LIGHT
	Fan Size (mm)	Current Rating (A)	Noise (dB)	m ³ /min	m ³ /hr	L/sec	Current Rating (A)
Boreal-270	124	0.104	≤45	≤4.5	≤270	≤75	0.058
Boreal-325	140	0.117	≤45	≤5.3	≤320	≤88	0.058

Code:	18247/..	18249/..
Type:	BOREAL-270	BOREAL-325
05 WHITE		
16 STAINLESS STEEL		





EXTERIOR & SECURITY



ASHBY

COACH LIGHT AND BOLLARD



240V	22W max			
		E27	E27 CFL	INCLUDED

Modern contemporary wall light and bollard made from durable powdercoated diecast aluminium with a tough UV resistant polycarbonate diffuser. IP23 Weatherproof rated. 12 Month Warranty.

Wall:	17615/..
06 BLACK	
Boll:	17614/..
06 BLACK	





ASTRAGAL

COACH WALL LIGHT



240V

60W max



E27



E27 CFL



IP44



INCLUDED

Traditional rounded coach lights made from durable diecast aluminium with a powdercoated finish. Features six bevelled and frosted glass panels. IP44 Weatherproof rated. 2 Year Warranty.



Code:	17937/..
06 BLACK	 9 312641 179382 >
09 BEIGE	 9 312641 179375 >



VILLA

COACH WALL LIGHT



240V

60W max



E27



E27 CFL



IP44



INCLUDED

Modern styled exterior coach wall light made from durable powdercoated diecast aluminium with six clear bevelled glass panels. IP44 Weatherproof Rated. 2 Year Warranty.



Code:	17911/..
06 BLACK	 9 312641 179115 >
09 BEIGE	 9 312641 179122 >



DENNIS

EXTERIOR WALL BRACKET WITH SENSOR



- 240V
- 40W max
- G9
- IP44
- Detection: 110° x 6m
- Lux Setting
- Time on: 10s to 6m
- Manual override
- INCLUDED

Dome-styled halogen wall bracket with glass diffuser in 304 stainless steel. IP44 weatherproof rated for superior protection against the elements. Adjustable Lux Setting with Dusk to Dawn Sensor. 12 Month Warranty.



Code:	100433/..
16 STAINLESS STEEL (304)	9 312641 433163 >



GORDON

EXTERIOR WALL BRACKET WITH SENSOR



- 240V
- 35W max
- GU10
- IP44
- Detection: 110° x 6m
- Lux Setting
- Time on: 10s to 6m
- Manual override
- INCLUDED

Elegantly styled halogen wall bracket in 304 stainless steel. IP44 weatherproof rated for superior protection against the elements. Adjustable Lux Setting with Dusk to Dawn Sensor. 12 Month Warranty.



Code:	100432/..
16 STAINLESS STEEL (304)	9 312641 432166 >



PATTERSON

EXTERIOR WALL BRACKET WITH SENSOR



- 240V
- 40W max
- G9
- IP44
- Detection: 110° x 6m
- Lux Setting
- Time on: 10s to 6m
- Manual override
- INCLUDED

Modern styled halogen wall bracket with glass diffuser in 304 stainless steel. IP44 weatherproof rated for superior protection against the elements. Adjustable Lux Setting with Dusk to Dawn Sensor. 12 Month Warranty.



Code:	100430/..
16 STAINLESS STEEL (304)	9 312641 430162 >



AVANTI

EXTERIOR WALL LIGHT



240V
150W max
R7s
IP65
INCLUDED

Modern architectural-styled exterior wall light with an adjustable head. An IP65 weatherproof rating gives superior protection against the elements.
12 Month Warranty.



Code:	99882/..
06 BLACK	9 312641 882060 >
11 SILVER	9 312641 882114 >



BEREA

EXTERIOR WALL LIGHT



240V
25W max
E27 CFL
INCLUDED

Modern styled wall light with diecast body and sealed poly-carbonate diffusers. Allows light to go in three directions, up, down and out through the front louvres.
12 Month Warranty.



Code:	99939/..
06 BLACK	9 312641 939061 >
11 SILVER	9 312641 939115 >



CAIRNS

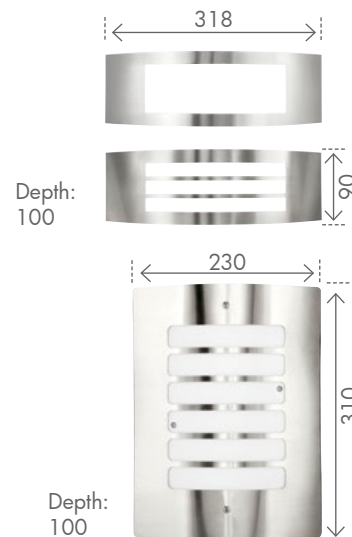
MODERN WALL LIGHTS



240V	22W max	42W max				
	Narrow	Rectangle				

Modern curved wall lights constructed from high grade 304 stainless steel.
 Available in narrow rectangular or large rectangular wall lights with either a plain or slotted designed face.
 IP44 Weatherproof rated.
 2 Year Warranty.

Narrow Plain:	18056/..
16 STAINLESS STEEL (304)	
Narrow Slotted:	18055/..
16 STAINLESS STEEL (304)	
Rect Slotted:	18053/..
16 STAINLESS STEEL (304)	





CHATRI

CURVED EXTERIOR WALL LIGHT



240V	24W max	E27	E27 CFL	IP54	INCLUDED
------	---------	-----	---------	------	----------

Contemporary curved wall light constructed from durable diecast aluminium with either an open or closed face and a tough polycarbonate lens. Allows light to go in two or three directions, up, down and out. IP54 Weatherproof rated. 2 Year Warranty.



Code:	17955/..	17956/..
Type:	Closed Face	Open Face
09 BEIGE	9 312641 179559 >	9 312641 179580 >
20 BRUSHED ALUMINIUM	9 312641 179566 >	9 312641 179597 >
51 CHARCOAL	9 312641 179573 >	9 312641 179603 >



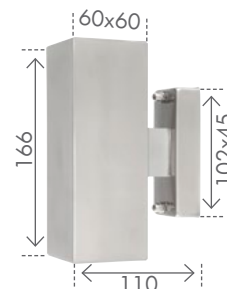
DALLAS

SQUARE EXTERIOR WALL LIGHTS



- 240V
- 50W max
- GU10
- LED GU10
- IP44
-
-
- INCLUDED

Modern square design exterior up/down wall light in marine grade 316 stainless steel with an IP44 weatherproof rating. Supplied with 35W halogen globes. 12 Month Warranty.



Code:	100227/..
16 STAINLESS STEEL (316)	9 312641 227168 >



DETROIT

EXTERIOR WALL & GARDEN LIGHTS

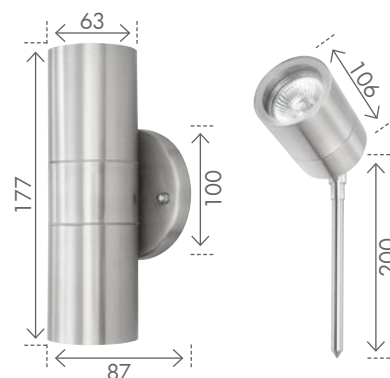


- 240V
- 35W max
- CFL GU10
- LED GU10
- 12V
- 35W max
- MR16
- LED MR16
- IP44

Wall Light

Garden Spike

Classic exterior range in architectural grade 304 stainless steel with an IP44 weatherproof rating. Garden spike requires a 12V transformer (not included). 12 Month Warranty.



Wall:	100231/..
16 STAINLESS STEEL (304)	9 312641 231615 >
Spike:	100233/..
16 STAINLESS STEEL (304)	9 312641 233169 >



DENVER II

LED EXTERIOR WALL LIGHTS & BOLLARD



240V	35W max							12V	35W max					
Wall Lights								Bollard						

Modern round exterior wall light and bollard range in black, architectural grade 304 stainless steel or copper stainless steel, with an IP44 weatherproof rating. Supplied with 4W LED globes. 3 Year Warranty.

U/D:	17529/..
06 BLACK	
16 STAINLESS STEEL (304)	
18 COPPER FINISH	
Adj:	17530/..
06 BLACK	
16 STAINLESS STEEL (304)	
18 COPPER FINISH	
Boll:	17533/..
16 STAINLESS STEEL (304)	





DENVER II

ADJUSTABLE WALL SPOTLIGHTS



Modern round interior/exterior adjustable wall spotlight range in architectural grade 304 stainless steel with an IP44 weatherproof rating. Supplied with 4W LED globes. 3 Year Warranty.



2LT:	17531/..
16 STAINLESS STEEL (304)	 9 312641 175315 >
3LT:	17532/..
16 STAINLESS STEEL (304)	 9 312641 175322 >



DORMON

EXTERIOR WALL LIGHT



240V
2x35W max
GU10
CFL GU10
LED GU10
IP44
INCLUDED

Modern curved exterior wall light either durable 304 stainless steel or powdercoated diecast aluminium.
IP44 Weatherproof rated.
2 Year Warranty.



Code:	17943/..
16 STAINLESS STEEL (304)	9 312641 179443 >
51 CHARCOAL	9 312641 179450 >



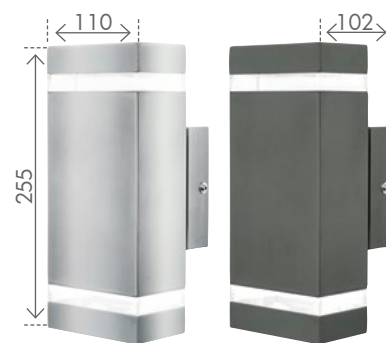
ENTASIS

EXTERIOR WALL LIGHT



240V
2x35W max
GU10
CFL GU10
LED GU10
IP44
INCLUDED

Modern rectangular block exterior wall light either durable 304 stainless steel or powdercoated diecast aluminium.
IP44 Weatherproof rated.
2 Year Warranty.



Code:	17942/..
16 STAINLESS STEEL (304)	9 312641 179429 >
51 CHARCOAL	9 312641 179436 >



LETO

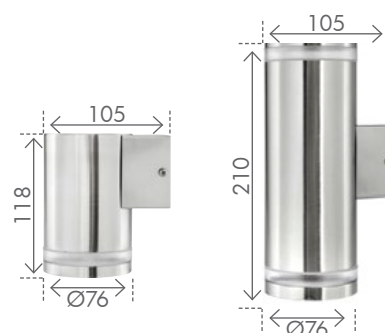
ENERGY SAVING WALL LIGHTS



240v	9W max				
		CFL GU10	LED GU10	IP44	INCLUDED

Modern energy saving exterior wall lights constructed from 304 stainless steel, in either downward or up/down configurations. IP44 weatherproof protection. 2 Year Warranty.

Wall:	18030/..
16 STAINLESS STEEL (304)	 9 312641 180302 >
U/D:	18031/..
16 STAINLESS STEEL (304)	 9 312641 180319 >





DUBOIS

COB LED UP/DOWN WALL LIGHT



240V

2x5W

3000K
WARM
WHITE

400
TOTAL
LUMENS



COB LED



IP54



INCLUDED

Modern curved exterior powdercoated diecast aluminium wall light with tempered glass lens'. Features two "Chip On Board" LED light sources that produce a total of 400 lumens. IP54 Weatherproof rated. 3 Year Warranty.



Code:	17852/..
51 CHARCOAL	9 312641 178521 >



VERNIER

COB LED UP/DOWN WALL LIGHT



240V

2x5W

3000K
WARM
WHITE

450
TOTAL
LUMENS



COB LED



IP54



INCLUDED

Modern rectangular exterior powdercoated diecast aluminium wall light with tempered glass lens'. Features two "Chip On Board" LED light sources that produce a total of 450 lumens. IP54 Weatherproof rated. 3 Year Warranty.



Code:	17853/..
51 CHARCOAL	9 312641 178538 >



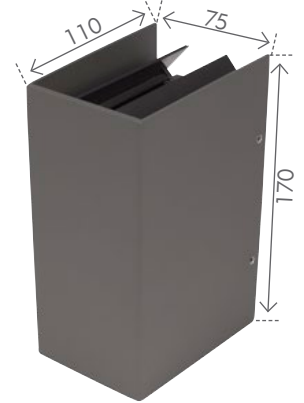
LUCIS

COB LED ADJUSTABLE UP/DOWN WALL LIGHT



240V
2x3W
3000K WARM WHITE
170 TOTAL LUMENS
COB LED
IP54
INCLUDED

Modern rectangular exterior powdercoated diecast aluminium wall light with adjustable louvres. Features two "Chip On Board" LED light sources that produce a total of 170 lumens each. IP54 Weatherproof rated. 3 Year Warranty.



Code:	17850/..
51 CHARCOAL	9 312641 178507 >



PRIMA

COB LED UP/DOWN WALL LIGHT



240V
2x3W
3000K WARM WHITE
55 TOTAL LUMENS
COB LED
IP54
INCLUDED

Modern prism exterior powdercoated diecast aluminium wall light with tempered glass lens'. Features two "Chip On Board" LED light sources that produce a total of 55 lumens. IP54 Weatherproof rated. 3 Year Warranty.



Code:	17851/..
51 CHARCOAL	9 312641 178514 >



EAVE

EXTERIOR WALL LIGHTS



240V

18W max



E27



E27 CFL

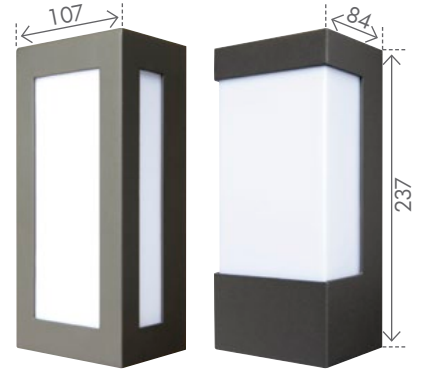




IP44



INCLUDED

Contemporary exterior wall light range constructed from diecast aluminium with a powdercoated finish and a tough polycarbonate lens. IP44 Weatherproof rated. 2 Year Warranty.



Lant:	18048/..
51 CHARCOAL	 9 312641 180487 >
Wall:	18049/..
51 CHARCOAL	 9 312641 180494 >



LANCET

EXTERIOR WALL LIGHTS



240V

18W max



E27



E27 CFL

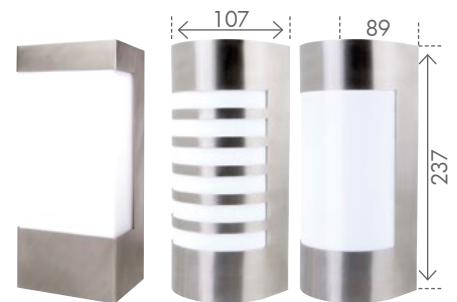





IP44



INCLUDED

Contemporary exterior wall light range constructed from durable 304 stainless steel with a tough polycarbonate lens. Available in 3 distinct designs. IP44 Weatherproof rated. 2 Year Warranty.



Rect:	18039/..
13 STAINLESS STEEL	 9 312641 180395 >
Grill:	18040/..
13 STAINLESS STEEL	 9 312641 180401 >
Curve:	18041/..
13 STAINLESS STEEL	 9 312641 180418 >



EUPHRATES

LED WALL LIGHT & BOLLARD



240V	2 x 1.12W TOTAL		6400K DAYLIGHT				
Wall							

12V	1.12W TOTAL		6400K DAYLIGHT				
Bollard							

Stylish stainless steel LED wall light and 12V bollard with clear round perspex stepped diffusers. IP44 weatherproof protection. Bollard requires 12V transformer for installation (not included) 12 Month Warranty.

Wall:	18047/..
16 STAINLESS STEEL	 9 312641 175193 >
Boll:	18046/..
16 STAINLESS STEEL	 9 312641 175100 >





FINIAL

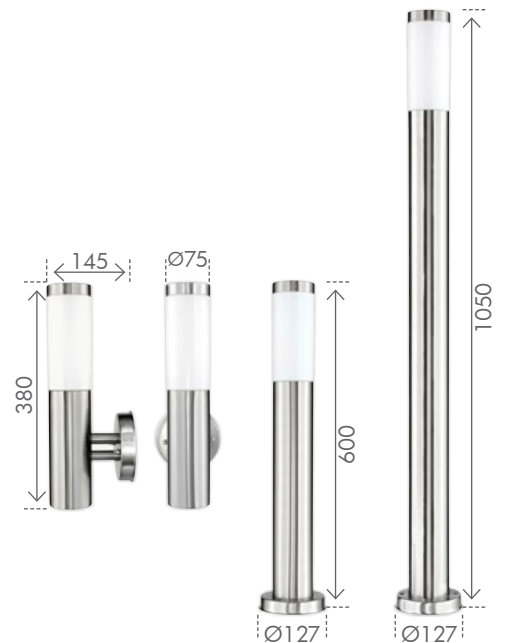
WALL LIGHT & BOLLARDS



240V	22W max	E27	E27 CFL	IP44	INCLUDED
------	---------	-----	---------	------	----------

Modern wall light and bollards constructed from durable 304 stainless steel with a tough opal polycarbonate diffuser.
 IP44 Weatherproof Rated.
 2 Year Warranty.

Wall:	18044/..
16 STAINLESS STEEL (304)	9 312641 180449 >
Bollard Small:	18043/..
16 STAINLESS STEEL (304)	9 312641 180432 >
Bollard Large:	18042/..
16 STAINLESS STEEL (304)	9 312641 334606 >





NEWEL

LED WALL LIGHT & BOLLARD

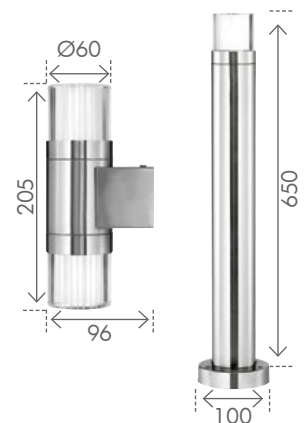


240V	2 x 1.05W TOTAL		6400K DAYLIGHT				
Wall							

12V	2.1W TOTAL		6400K DAYLIGHT				
Bollard							

Modern round LED wall light and bollard constructed from durable 304 stainless steel and clear crystal glass diffusers. IP44 Weatherproof protection. Bollard requires a 12V transformer (not included) 3 Year Warranty.

Wall:	17941/..
16 STAINLESS STEEL (304)	 9 312641 179412 >
Boll:	17940/..
16 STAINLESS STEEL (304)	 9 312641 179405 >





PENTICE

MODERN BLOCK WALL LIGHTS



240V

11W max



CFL GU10



LED GU10



IP54



INCLUDED

Modern block wall light constructed from architectural grade brushed aluminium. IP54 Weatherproof protection. 2 Year Warranty.



Code:	18036/..
20 BRUSHED ALUMINIUM	 9 312641 180364 >



PRAIRIE

EXTERIOR WALL LIGHT



240V

2x11W max



CFL GU10



LED GU10

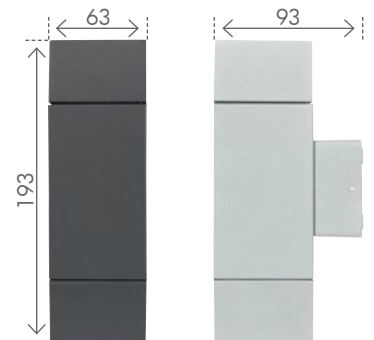



IP54



INCLUDED

Modern block style up/down wall light made from durable diecast aluminium. IP54 Weatherproof rated. 2 Year Warranty.



Code:	17952/..
11 SILVER	 9 312641 179528 >
51 CHARCOAL	 9 312641 179535 >



PORTICO

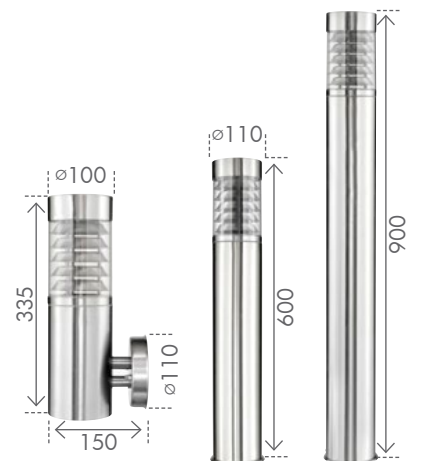
LOUVERED WALL LIGHT AND BOLLARDS



240V	22W max			
		E27 CFL	IP44	INCLUDED

Modern styled wall light and bollards made from durable 304 stainless steel. Features louvered design with a tough polycarbonate lens. IP44 Weatherproof protection. 2 Year Warranty.

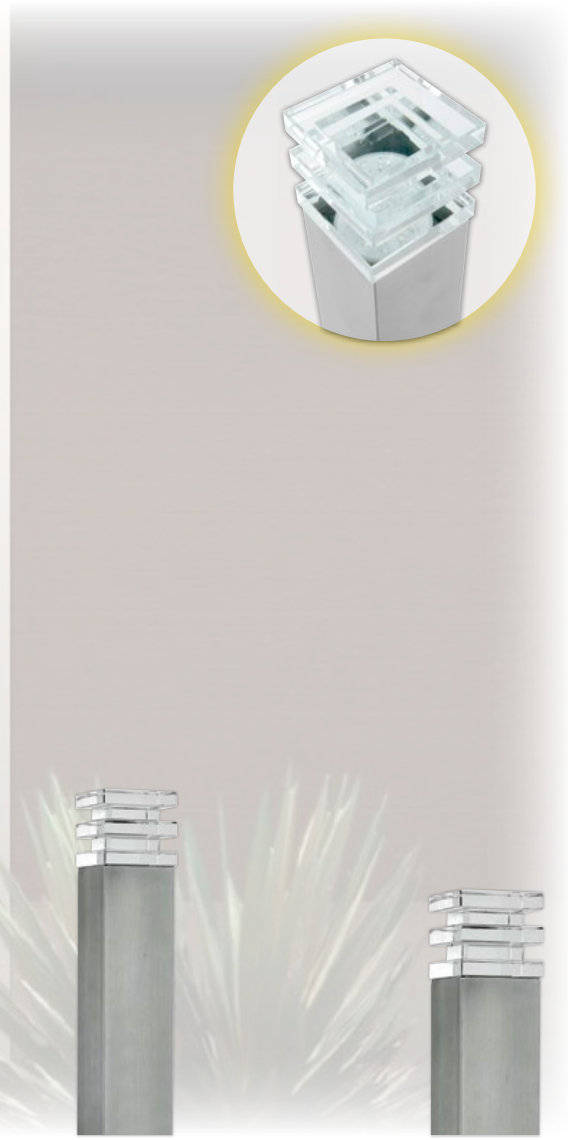
Wall:	18052/..
16 STAINLESS STEEL (304)	
600:	18050/..
16 STAINLESS STEEL (304)	
900:	18051/..
16 STAINLESS STEEL (304)	





TIGRIS

LED WALL LIGHTS & BOLLARD



240V	1 x 1.92W TOTAL	2 x 1.92W TOTAL		6400K DAYLIGHT				
Wall								

12V	1.12W TOTAL		6400K DAYLIGHT		
Bollard					

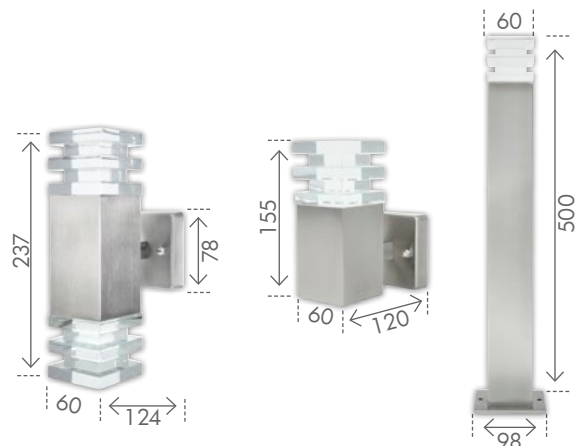
Stylish stainless steel LED wall lights and 12V bollard with clear square glass stepped diffusers.

P44 weatherproof protection.

Bollard requires 12V transformer for installation (not included)

12 Month Warranty.

U/D:	80945/..
16 STAINLESS STEEL	
Wall:	80974/..
16 STAINLESS STEEL	
Boll:	80975/..
16 STAINLESS STEEL	





VISION ECO

LED EXTERIOR WALL LIGHTS



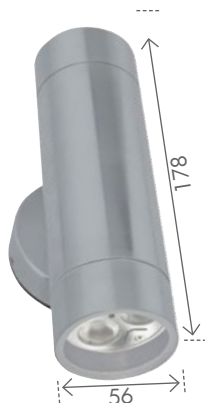
240W	35W max	LED GU10	IP65		Adjustable only	INCLUDED
------	---------	----------	------	--	-----------------	----------

Premium grade modern round wall lights constructed from durable diecast aluminium or stainless steel with a tempered glass lens.

Supplied with non-dimmable LED GU10 globes.

- Wattage: 4W
- Lumens: 260lm
- Colour Temp: 3000°K
- CRI: >65
- Beam Angle: 45 degrees

3 Year Warranty



Code:	17867/..	17871/..	17875/..
06 BLACK	9 312641 178675 >	9 312641 178712 >	9 312641 178750 >
11 SILVER	9 312641 178682 >	9 312641 178729 >	9 312641 178767 >
16 STAINLESS STEEL (316)	9 312641 178705 >	9 312641 178743 >	9 312641 178781 >
20 ANODISED ALUMINIUM	9 312641 178699 >	9 312641 178736 >	9 312641 178774 >



VISTA II

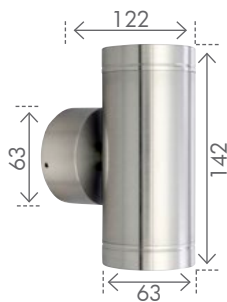
LOW VOLTAGE EXTERIOR LIGHTS



12V	35W max				
		IRC MR16	IP65	Adjustable only	INCLUDED

Premium grade low voltage exterior light range with an IP65 weatherproof rating. Features a fully sealed stainless steel mounting plate, screw type glass caps for easy globe replacement.

Requires a 12V VA transformer (not included)
12 Month Warranty.

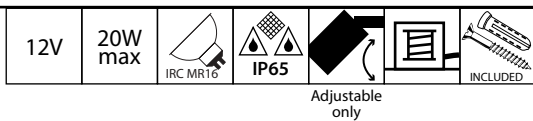


Code:	60102/..	60103/..	60104/..
06A BLACK			
16A STAINLESS STEEL (316)			
20A ANODISED ALUMINIUM			



VISTA II

LOW VOLTAGE EXTERIORS WITH REPLACEABLE TRANSFORMER



Premium grade low voltage exterior light range with an IP65 weatherproof rating. Features a fully sealed stainless steel mounting plate, screw type glass caps for easy globe replacement. Includes replaceable 12V 50VA transformer with thermal overload protection.
12 Month Warranty.



Code:	60108/..	60109/..	60110/..
06A BLACK	 9 312641 108061 >	 9 312641 109068 >	 9 312641 110606 >
16A STAINLESS STEEL (316)	 9 312641 108139 >	 9 312641 109136 >	 9 312641 311102 >
20A ANODISED ALUMINIUM	 9 312641 018209 >	 9 312641 009207 >	 9 312641 011026 >

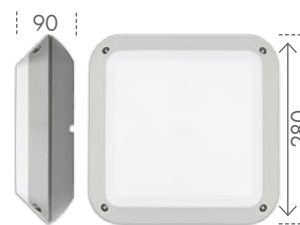











HARDY

POLYCARBONATE BUNKERS



Modern bunker range made from tough UV stabilised polycarbonate.
IP66 Weatherproof rated.
12 Month Warranty



Code:	17450/..	17451/..	17452/..
Type:	Round	Round with Eyelid	Square
05 WHITE	 9 312641 174516 >	 9 312641 174547 >	 9 312641 174578 >
06 BLACK	 9 312641 174509 >	 9 312641 174530 >	 9 312641 174561 >
08 GREY	 9 312641 174523 >	 9 312641 174554 >	 9 312641 174585 >



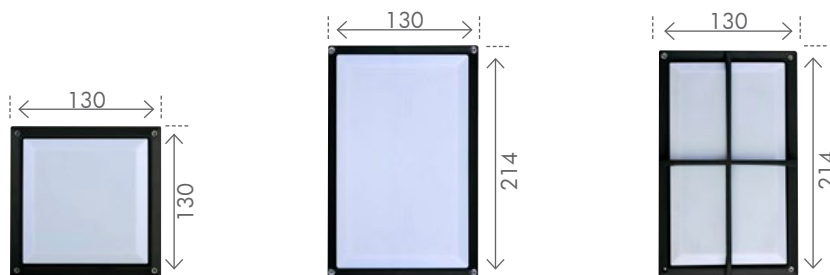
TRENT

EXTERIOR BUNKERS



240V	13W max	4200°K	GX53 CFL	IP54		ALLEN KEY INCLUDED	INCLUDED
------	---------	--------	----------	------	--	--------------------	----------

Modern clean lines with an IP54 weatherproof rating. Ideal for lighting entry ways, steps or entertaining areas. Available in 3 designs.
12 Month Warranty.



Code:	99933/..	99935/..	99936/..
06 CHARCOAL BLACK			
11 SILVER			



ARRIS

WEDGE STYLE WALL LIGHT



240V

22W max



E27



E27 CFL

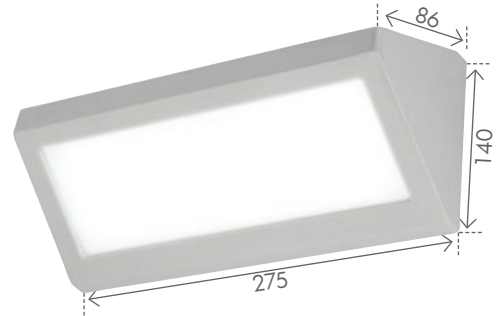


IP44



INCLUDED

Modern angular wedge style wall light constructed from durable diecast aluminium with a powdercoated finish. IP44 Weatherproof rated. 2 Year Warranty



Code:	18034/..
11 SILVER	 9 312641 180357 >
51 CHARCOAL	 9 312641 180340 >



CLARKE

HOODED WALL LIGHT



240V

35W max



GU10



CFL GU10



LED GU10

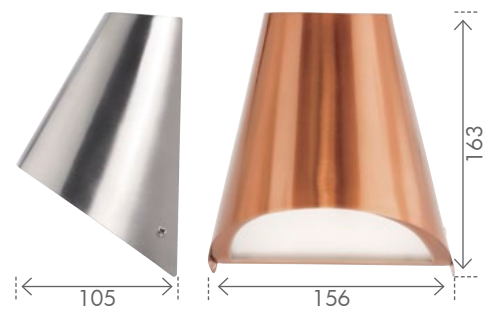


IP44



INCLUDED

Modern hooded wall light constructed from 304 stainless steel or 304 copper stainless steel. IP44 Weatherproof Rated. 2 Year Warranty.



Code:	17793/..
16 STAINLESS STEEL (304)	 9 312641 177937 >
18 COPPER (304)	 9 312641 177944 >



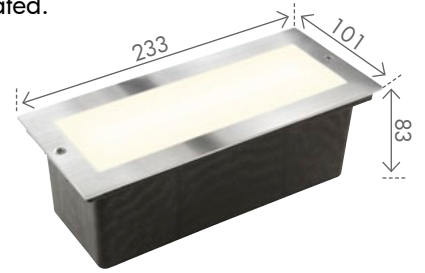
SCOTIA

RECESSED WALL LIGHT



240V
60W max
E27
E27 CFL
IP44
212 x 87mm

Flush recessed wall light made from durable polycarbonate, 304 stainless steel and shatter-resistant tempered glass.
IP44 Weatherproof Rated.



Code:	18033/..
16 STAINLESS STEEL (304)	9 312641 180333 >



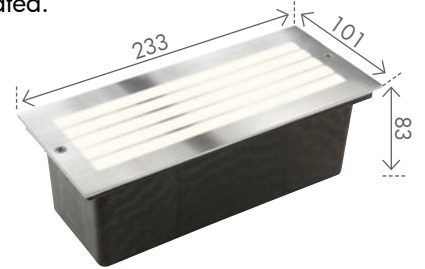
SCOTIA

RECESSED WALL LIGHT



240V
60W max
E27
E27 CFL
IP44
212 x 87mm

Flush recessed wall light with slotted design made from durable polycarbonate, 304 stainless steel and shatter-resistant tempered glass.
IP44 Weatherproof Rated.
2 Year Warranty.



Code:	18032/..
16 STAINLESS STEEL (304)	9 312641 180326 >

ARCOLUX

ARCHITECTURAL LED SECURITY LIGHT



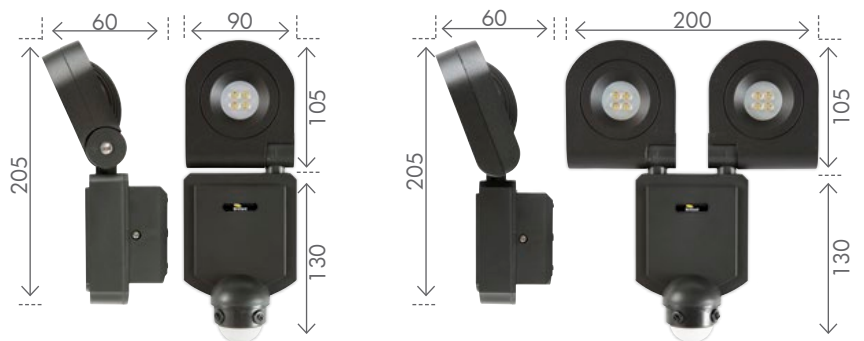
720 LUMENS

240V	4 x 2.5W	8 x 2.5W	SMD LED	4200K COOL WHITE	IP44		INCLUDED
	1 Light	2 Light					

90°	Lux Setting	Time on: 10s to 10m	Manual override
-----	-------------	---------------------	-----------------

Modern architectural security wall light range made from durable aluminium and poly carbonate. Arcolux features 4, 2.5W high-power Epistar SMD LED's per fully adjustable head. Available in single or twin options, with or without a sensor. 2 Year Warranty.

1LT:	18226/..
51 CHARCOAL	9 312641 182269
1LT + Sensor:	18228/..
51 CHARCOAL	9 312641 182283
2LT:	18227/..
51 CHARCOAL	9 312641 182276
2LT + Sensor:	18229/..
51 CHARCOAL	9 312641 182290





AVENGER

DIY LED FLOODLIGHT



240V	DIY EASY INSTALLATION	10W 700 lumens	20W 1700 lumens	30W 2800 lumens	50W 4200 lumens		4200K COOL WHITE		
		17898	17795	17796	17797				

10W:	17898/..
06 BLACK	
20W:	17795/..
06 BLACK	
30W:	17796/..
06 BLACK	
50W:	17797/..
06 BLACK	

Box style COB (Chip On Board) LED floodlight with black painted outer casing and clear tempered safety glass lens. Features a hinge to direct light and simple and easy Do-It-Yourself installation. Available in 10W, 20W, 30W or 50W. 3 Year Warranty.





CREST

LED FLOODLIGHT



240V	10W 850 lumens	20W 1400 lumens	SMD LED	6500K DAYLIGHT	IP44	INCLUDED
------	-------------------	--------------------	---------	-------------------	------	----------

120°	Lux Setting	Time on: 5s to 8m	Manual override
------	-------------	-------------------	-----------------

Box style LED array floodlight with black painted aluminium outer casing and clear tempered safety glass lens. Features a hinge to direct light and simple. Available in 10W or 20W, with or without sensor. 3 Year Warranty.

10W:	17774/..
06 BLACK	9 312641 177746 >
10W + Sensor:	17775/..
06 BLACK	9 312641 177753 >
20W:	17776/..
06 BLACK	9 312641 177760 >
20W + Sensor:	17777/..
06 BLACK	9 312641 177777 >





HUNTER

LED FLOODLIGHTS



240V	4 x 1.5W	8 x 1.5W	4700K COOL WHITE			
	1 Light	2 Light				

Detection: 150° x 10m	Lux Setting	Time on: 5s to 7m	Manual override

1LT:	17592/..
06 BLACK	
13 BRUSHED ALUMINIUM	
2LT:	17594/..
06 BLACK	
13 BRUSHED ALUMINIUM	
2LT W/ SENS:	17596/..
06 BLACK	
13 BRUSHED ALUMINIUM	

Modern LED floodlight series featuring 4 ultra bright and long-life LED's on each head. Made from durable diecast aluminium. IP44 Weatherproof rated. 3 Year Warranty.





HUNTER II

AC LED FLOODLIGHTS



240V	1 x 11W	2 x 11W	4200K COOL WHITE	COB LED	IP44	INCLUDED
	1 Light	2 Light				

150°	Lux Setting	Time on: 5s to 7m	Manual override
Detection: 150° x 10m			

Modern LED floodlight series featuring ultra bright and long-life COB LED's on each head. Made from durable diecast aluminium. AC LED technology allows for direct connection of the mains voltage to the LED Chip.

Nearly all LED products incorporate a separate LED driver that limits the lifetime and reliability to around 15,000 hrs. Under most standard operating conditions, AC LED provides the user with a true 30,000hr lifetime.

IP44 Weatherproof rated.
3 Year Warranty.

Code:	18066/..	18067/..	18068/..
Type:	Single	Twin	Twin with Sensor
06 BLACK			
13 SATIN CHROME			





NIGHTWATCHER

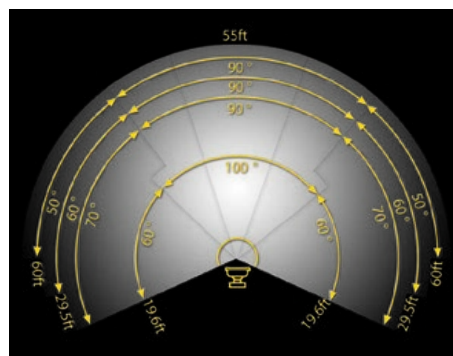
MOTION TRACKING LED SECURITY LIGHT



240V	8 x 1W	SMD LED	4200K COOL WHITE		IP55	INCLUDED
------	--------	---------	------------------	--	------	----------

210°	210°		3min
Detection: 210° x 10m	Tracking: 210° x 10m	LUX Setting	Time on: 3min

Energy efficient motorised security light. Features 8 super bright 1W Nichia LED's, Built-in microprocessor and a PIR tracking motion sensor. The Nightwatcher motorised swivel allows the light to follow the intruder/visitor through the detection area.
3-Year Warranty



Code:	17310/..
06 BLACK	9 312641 180760 >



SECURA LED FLOODLIGHTS



240V	4 x 1.0W	8 x 1.0W	6500K DAYLIGHT	LED		IP44	INCLUDED
	1 Light	2 Light					

150°	Lux Setting	Time on: 5s to 7m	Manual override
Detection: 150° x 10m			

1LT:	17778/..
06 BLACK	9 312641 177784 >
13 SATIN NICKEL	9 312641 177821 >
2LT:	17780/..
06 BLACK	9 312641 177807 >
13 SATIN NICKEL	9 312641 177845 >
2LT W/ SENS:	17781/..
06 BLACK	9 312641 177814 >
13 SATIN NICKEL	9 312641 177852 >

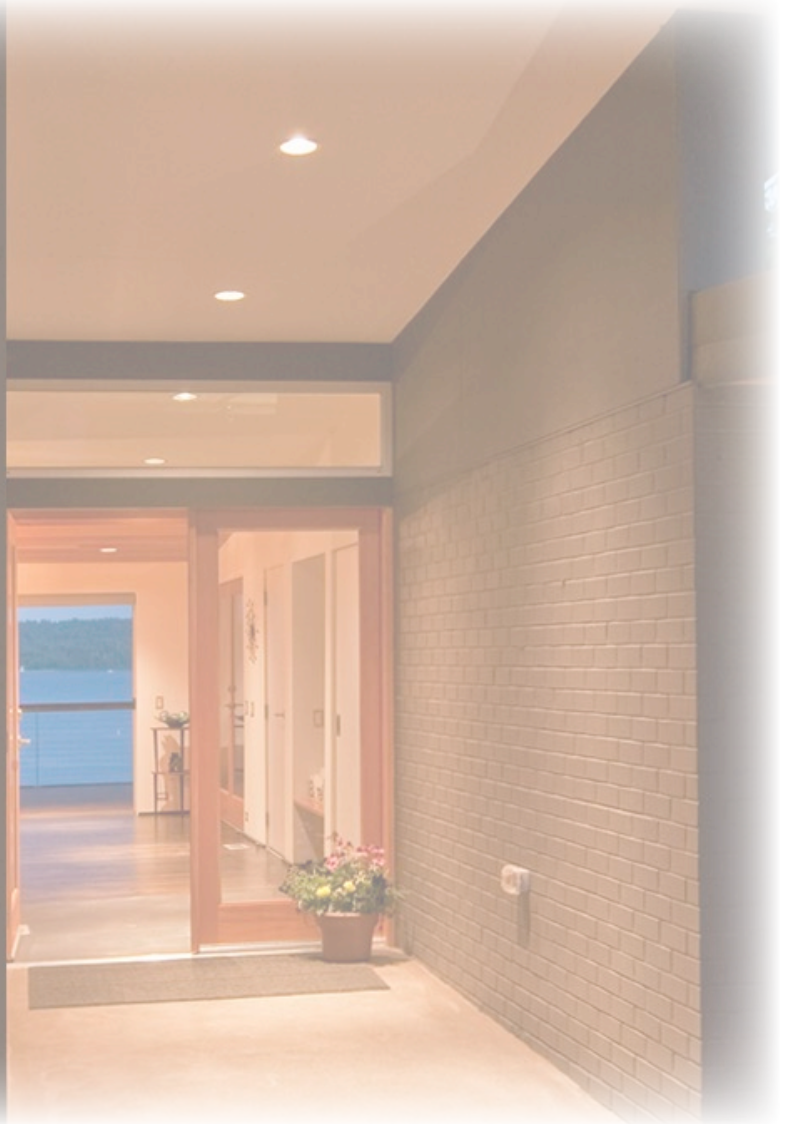
Modern LED floodlight series featuring 4 ultra bright and long-life LED's on each head. Made from durable diecast aluminium with fully adjustable heads. IP44 Weatherproof rated. 3 Year Warranty.





SLOANE

COB LED FLOODLIGHT



240V	12W 1100 lumens	3000K WARM WHITE	COB LED		IP54	INCLUDED	ALLEN KEY INCLUDED
------	--------------------	---------------------	---------	--	------	----------	--------------------

100° Detection: 100° x 8m	Lux Setting	Time on: 5s to 8m	Manual override
---------------------------------	----------------	----------------------	--------------------

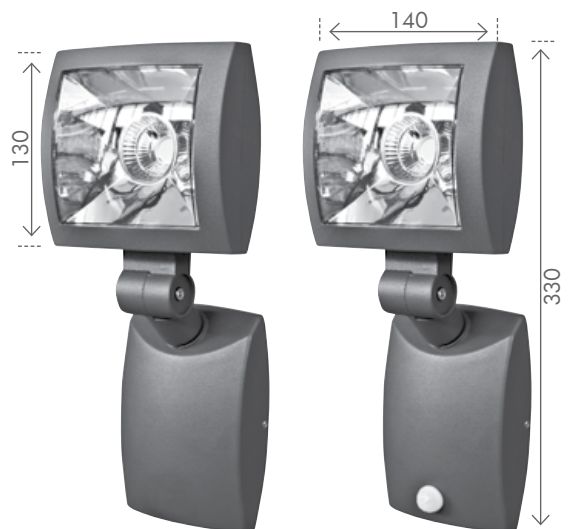
Modern and stylish floodlight series made from diecast aluminium with a powdercoated charcoal finish.

High power COB (Chip On Board) LED combined with a reflector designed for maximum light output and an adjustable head.

IP54 Weatherproof rated.

3 Year Warranty.

No Sen:	17848/..
51 CHARCOAL	9 312641 178484 >
Sensor:	17849/..
51 CHARCOAL	9 312641 178491 >





STRAND

MODERN LED FLOODLIGHTS



240V	1 x 10W	2 x 10W	4200K COOL WHITE				
	1 Light	2 Light					

Detection: 150° x 10m	Lux Setting	Time on: 5s to 7m	Manual override

1LT:	17786/..
06 BLACK	
26 BRUSHED ALUMINIUM	
2LT:	17787/..
06 BLACK	
26 BRUSHED ALUMINIUM	
2LT W/ SENS:	17788/..
06 BLACK	
26 BRUSHED ALUMINIUM	

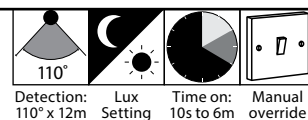
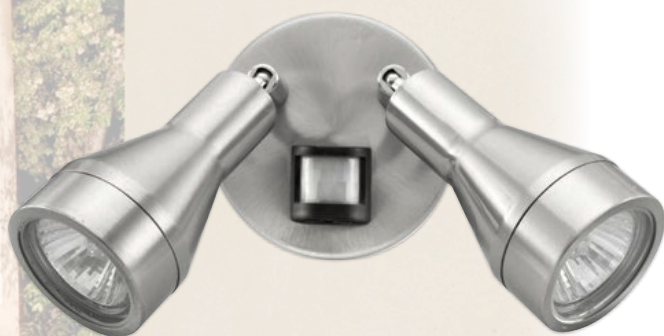
Modern and stylish floodlight series made from diecast aluminium. Features a high power Chip On Board LED combined with a reflector designed for maximum light output and an up and down adjustable head. Replaceable LED Module. IP44 Weatherproof rated. 3 Year Warranty.





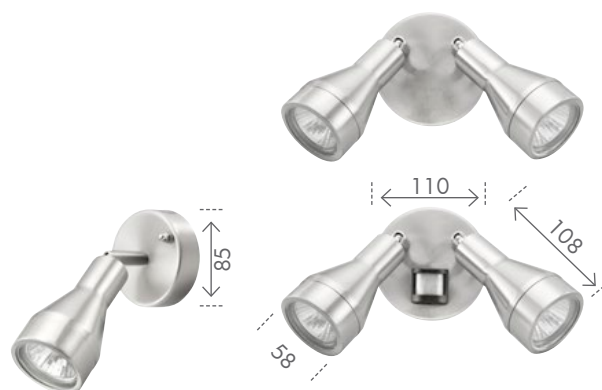
GUARDIAN

EXTERIOR HALOGEN SPOTLIGHT



Modern styled security light in an architectural grade 304 stainless steel finish. Features an IP44 weatherproof rating and fully adjustable heads. Includes globe/s
12 Month Warranty.

1LT:	100244/..
16 STAINLESS STEEL (304)	 9 312641 244318 >
2LT:	100245/..
16 STAINLESS STEEL (304)	 9 312641 312451 >
2LT+:	100246/..
16 STAINLESS STEEL (304)	 9 312641 312468 >





SECURA

100W HALOGEN FLOODLIGHT



High powered floodlights with an IP44 weatherproof rating. Available with or without PIR motion sensor and in a number of complementary colours. 12 Month Warranty.

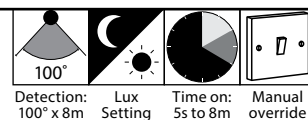


Code:	100216/..	100217/..	100218/..	100219/..
05 WHITE				
06 BLACK				
09 BEIGE				
13 SATIN CHROME				



TREK

PAR38 FLOODLIGHT



Modern styled Par38 floodlights in a stylish stainless steel finish. Available as a single or twin version with and without sensor.
12 Month Warranty.

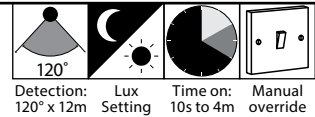
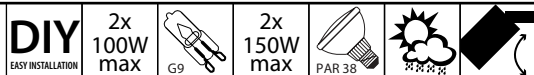
1LT:	75100/..
16 STAINLESS STEEL	
2LT:	75200/..
16 STAINLESS STEEL	
2LT-S:	75300/..
16 STAINLESS STEEL	





SECURA DIY

HALOGEN OR PAR38 FLOODLIGHTS



Do-It-Yourself installation on walls, ceilings or under eaves.
Simply plugs in to an existing batten holder.
Features fully adjustable lamp heads and sensor, for the model with sensor.
12 Month Warranty.

TYPE:	2 Light with Sensor	2 Light
HALO	100254/..	100255/..
06 BLACK		
11 SILVER		
PAR38	100256/..	100257/..
06 BLACK		





HUNTER DIY

LED FLOODLIGHT WITH SENSOR



**420
LUMENS**

DIY
EASY INSTALLATION

8 x
1.5W

4700K
COOL
WHITE



SMD LED



IP44



Detection:
150° x 10m

Lux
Setting

Time on:
5s to 7m

Manual
override

Do-It-Yourself installation on walls, ceilings or under eaves. Simply plugs in to an existing batten holder. Features fully adjustable lamp heads and sensor.
12 Month Warranty.



Code:	17792/..
06 BLACK	9 312641 177920 >



UNI-SCAN

180° PIR SECURITY SENSOR



240V
Detection Scan: 180°
Detection Range: 12m
Time on: 10s to 4m
Lux Setting
Max Load: 1000W



Passive Infra-red technology
 Multi-segemented lens for better detection
 3-Wire design for greater reliability
 IP44 Weatherproof Rated
 Max Load: 300W Incandescent
 100W Inductive
 Operating Temp: -5 to 45 degrees Celsius
 2-Year Warranty

Code:	18060/..
05 WHITE	
06 BLACK	



THREE-SIXTY

360° SURFACE MOUNT PIR SENSOR



240V
Detection Scan: 360°
Detection Range: 4.5m
Time on: 10s to 4m
Lux Setting
Max Load: 1600W

Passive Infra-red technology
 Surface mount for interior or exterior use
 Multi-segemented lens for better detection
 3-Wire design for greater reliability
 IP44 Weatherproof Rated
 Max Load: 1600W Incandescent
 500W Fluorescent
 300W Inductive
 Operating Temp: -5 to 45 degrees Celsius
 2-Year Warranty

Code:	18062/..
05 WHITE	



EYE 360°

RECESSED PIR SECURITY SENSOR



240V
Detection Scan: 360°
Detection Range: 4.5m
Time on: 10s to 4m
Lux Setting
Max Load: 2000W

Passive Infra-red technology
 Recessed/Flush mounting
 Multi-segemented lens for better detection
 3-Wire design for greater reliability
 IP44 Weatherproof Rated
 Max Load: 2000W Incandescent
 600W Fluorescent
 Operating Temp: -5 to 45 degrees Celsius
 2-Year Warranty

Code:	18063/..
05 WHITE	



VISTA

LV IN-GROUND BOLLARD



12V	DIY EASY INSTALLATION	35W max				
-----	---------------------------------	------------	--	--	--	--

Modern and sleek in-ground bollard made from highly durable 316 stainless steel or powdercoated diecast aluminium. Requires a 12V transformer. (not included) 12 Month Warranty.



Code:	60106/..
06 BLACK	
13 STAINLESS STEEL (304)	



STILETTO

LV GARDEN SPIKE



12V	DIY EASY INSTALLATION	50W max				
-----	---------------------------------	------------	--	--	--	--

Stylish low voltage garden spotlight. Constructed of cast aluminium with a noncorroding polycarbonate spike IP44 Weatherproof rated. Requires a 12V transformer. (not included) 12 month Warranty.



Code:	73120/..
06 BLACK	



MINI VISION

LV ADJUSTABLE GARDEN SPIKE



- 12V
DIY
INSTALLATION
- 20W
max
- MR11
- IP44



Modern adjustable garden spike that is made using high quality stainless steel. Requires a 12V VA transformer (not included). 12 Month Warranty.

Code:	60703/..
06 BLACK	9 312641 703068 >



VISION

LV ADJUSTABLE GARDEN SPIKE



- 12V
DIY
INSTALLATION
- 35W
max
- MR16
- LED MR16
- IP65



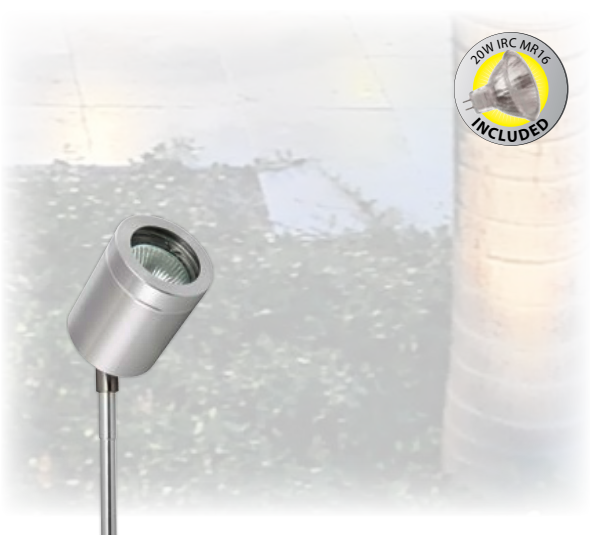
Modern adjustable garden spike, made from high quality 304 stainless steel. Requires a 12V VA transformer (not included). 12 Month Warranty.

Code:	60600/..
16 STAINLESS STEEL (304)	9 312641 166009 >



VISTA II

LV ADJUSTABLE GARDEN SPIKE



- 12V
DIY
INSTALLATION
- 35W
max
- MR16
- LED MR16
- IP65



Low voltage adjustable garden spike with an IP65 weatherproof rating. Requires a 12V VA transformer (not included). 12 Month Warranty.

Code:	60100/..
06A BLACK	9 312641 100065 >
16A STAINLESS STEEL (316)	9 312641 100188 >
20A ANODISED ALUMINIUM	9 312641 201007 >



CAVETTO

DIY LED DECK/EAVE LIGHT KIT



12V
DIY EASY INSTALLATION
6 x 0.2W per head
6 LIGHT KIT
LED
IP64
30mm
Plug-in transformer
Wiring diagram

Constructed from 304 Stainless Steel and with colour-changing RGB lights*. Each kit includes 6 x colour-changing LED lights with 30cm of cable and connector, 6m of cable, a 12V 6VA transformer with 2m of cable with a 2 pin flex plug and a remote. 12 Month Warranty.



Code:	18045/..
16 STAINLESS STEEL (304)	9 312641 180456 >

* Each head can only display the same colour at one time.



COSA

ROUND LED DECKLIGHT KIT



12V
10x 0.07W max
DIY EASY INSTALLATION
LED
IP44
2.4VA 200mA
Plug-in transformer
Wiring diagram
22mm

10 Piece deck light kit with 30mm round LED fittings with a 304 stainless steel finish. Easy to install on a DIY basis with 5m of cable and a plug-in transformer. 12 Month Warranty.



Code:	99976/..
03 BLUE	9 312641 993032 >



LORNE

LED DECK/EAVE LIGHT KIT



- 12V
- DIY
- 3 x 0.18W max
- 5 LIGHT KIT
- LED
- Deck Lights
- IP67
- Transformer
- IP64
- 38mm

Constructed from 304 Stainless Steel and available with either a white or blue light. Kit includes 5 x LED lights with 30cm of cable and connector, 15m of cable and a 12V 12VA transformer with 1.5m of cable with a 2 pin flex plug. 12 Month Warranty.



Code:	99973/..
03 BLUE	 9 312641 973034 >
16 WHITE	 9 312641 973164 >



PORTSEA

LED DECK/EAVE LIGHT KIT



- 12V
- DIY
- 3 x 0.18W max
- 5 LIGHT KIT
- LED
- Deck Lights
- IP67
- Transformer
- IP64
- 38mm

Constructed from 304 Stainless Steel and available with either a white or blue light. Kit includes 5 x LED lights with 30cm of cable and connector, 15m of cable and a 12V 12VA transformer with 1.5m of cable with a 2 pin flex plug. 12 Month Warranty.



Kit:	99970/..
03 BLUE LED	 9 312641 970033 >
16 WHITE LED	 9 312641 971306 >



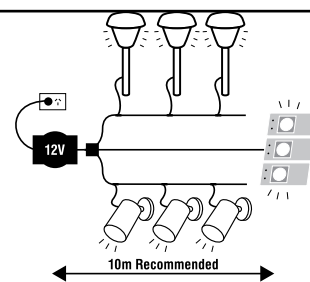
LED TRANSFORMER

EXTERIOR/GARDEN



12V/ 240V	30W max	60W max			
--------------	------------	------------	--	--	--

12V transformer with IP65 Weatherproof Rating. 240V 2.0m lead with plug. Ideal for use with low-power LED garden lighting. Suitable for indoor and outdoor use, for all types of garden, pond and entertainment areas. No electrician needed. Self resetting thermal overload protection. 3 Year Warranty.



Code	Volt/Amps	APN
17913	30	
17914	60	





TRANSFORMER

EXTERIOR/GARDEN



12V/240V	105W max	150W max	200W max	300W max	400W max	500W max			
----------	----------	----------	----------	----------	----------	----------	--	--	--

12V transformer with IP66 Weatherproof Rating. 240V 2.0m lead with plug. Suitable for indoor use, all types of garden, pond and entertainment areas. No electrician needed. Self resetting thermal overload protection. 5 Year Warranty.

Code	Volt/Amps	Dimensions	APN
60500	105		 9 312641 605003 >
60501	150		 9 312641 605010 >
60503	200		 9 312641 600534 >
60505	300		 9 312641 605508 >
60507	400		 9 312641 605072 >
60509	500		 9 312641 605096 >





GLOBES & LAMPS



LED SINGLE COB

GU10 & MR16



240v		7W	390 lumen	7W	420 lumen	7W	500 lumen	7W	530 lumen	9W	570 lumen	9W	650 lumen	Lifespan: Up to 25,000 hours
		17890, 17892		17891, 17893	18064	18065	17894, 17896	17895, 17897						

Energy efficient "Chip On Board" LED technology.

60 degree beam angle.

Up to 25,000hr lifetime.

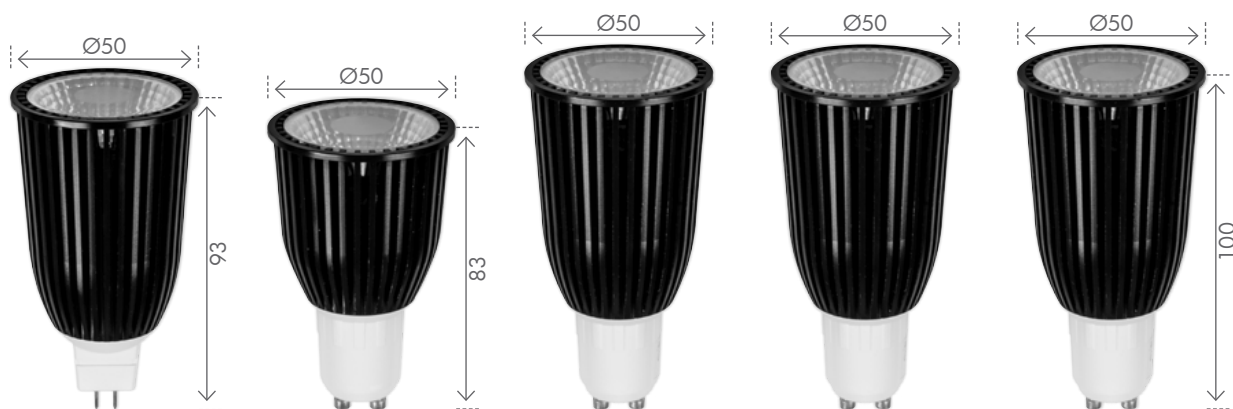
Colour Rendering Index (CRI) ≥75.

Available in either a warm white to create a cosy and warm effect or cool white that gives a crisp daylight effect.

Supplied in either Dimmable or NON-Dimmable formats.

7W is equivalent to a 35W halogen globe.

9W is equivalent to 50W halogen globe.





Type:	MR16 (non-dimmable)	GU10 (non-dimmable)	GU10 (dimmable)	GU10 (non-dimmable)	GU10 (dimmable)
Code:	18064	17890	17892	17894	17896
3000K WARM WHITE					
Code:	18065	17891	17893	17895	17897
4200K COOL WHITE					



LED SMD ARRAY

MR16



240v	 SMD LED	8W	500 lumen	
------	--	----	-----------	---

Lifespan: Up to 25,000 hours



Energy efficient SMD LED technology.

45 degree beam angle.

Up to 25,000hr lifetime.

Available in either a warm white to create a cosy and warm effect or cool white that gives a crisp daylight effect.

8W is equivalent to 50W halogen globe.

Type:	MR16 (non-dimmable)
Code:	17695
3000K WARM WHITE	 9 312641 179245 >
Code:	17696
4200K COOL WHITE	 9 312641 179290 >





VINTAGE FILAMENT

ANTIQUÉ STYLE BULBS



240v

25W
max



Lifespan: Up to 1000 hours

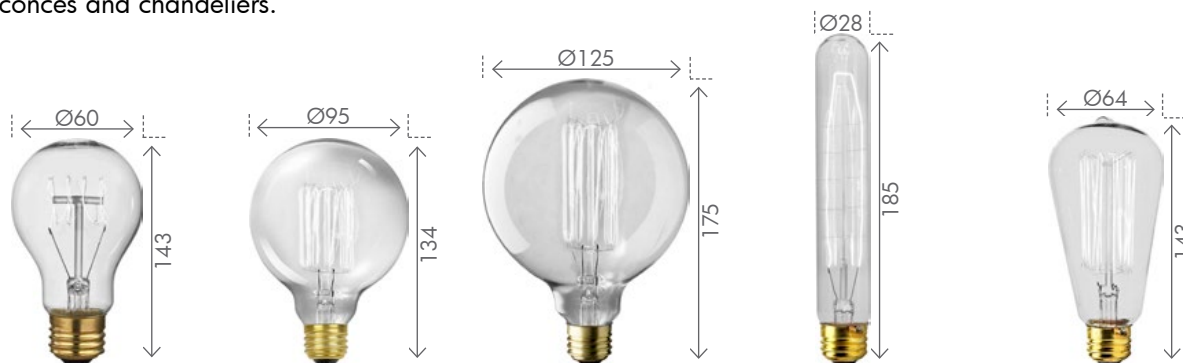
Preserve the look of early 20th-century lighting by incorporating one of Brilliant's vintage filament bulbs to your light fixture. Our antique-style bulbs add a bright warm glow to any vintage or contemporary decor.

A60: An intricate quad loop tungsten filament design bulb.

G94/G125: These Edison inspired bulbs are a favorite with their glowing cage-shaped filament surrounding a central glass support.

T9: A long single tungsten filament loop suspended along a central glass support in a long tubular shape gives this bulb a distinctive look.

ST18: The circa 1912 design is a favorite with its glowing cage-shaped tungsten filament surrounding a central glass support, which burns three times brighter than its carbon filament precursors. A popular choice for exposed socket pendants, sconces and chandeliers.



Type:	A60	G95	G125	T9	ST18
Code:	17924	17926	17927	17929	17925
B22 BASE					
Code:	17929	17931	17932	17933	17930
E27 BASE					



DECORATIVE ECO-HALOGEN

INDUSTRIAL STYLE BULBS



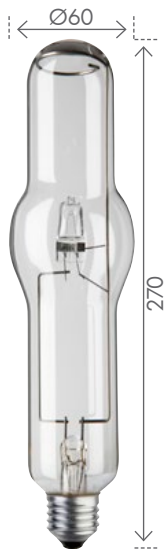
240v




25W
max



Lifespan: Up to 3000 hours

Industrial style eco-halogen bulbs in three popular designs. Eco-halogen bulbs provide a warm light that is 30% more efficient than traditional incandescent gobes. Ideal for use in any transparent, caged or industrial style light fixtures.



Type:	CIGAR T46	BUBBLE T046	PEAR ED76
Code:	18077	18078	18079
E27 BASE	 9 312641 180777 >	 9 312641 180784 >	 9 312641 180791 >

Address: 956 Stud Road (off Kingsley Close), ROWVILLE, 3178
Postal: PO Box 2529

SALES HOTLINE

Phone: 1800 817 754
Phone (Vic): 03 9765 2555
Facsimile: 03 9763 0277
Email: sales@brilliant-lighting.com.au
Web: www.brilliantlighting.com.au



Brilliant



ECOBrilliant