



UTTERMOST

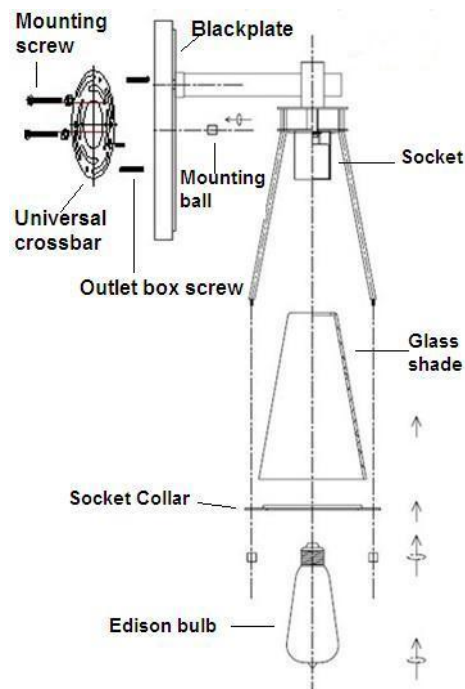
ASSEMBLY INSTRUCTIONS

ITEM # : 22863

IMPORTANT: TURN OFF THE POWER AT THE MAIN FUSE OR CIRCUIT BREAKER BOX BEFORE STARTING INSTALLATION.

Carefully unpack and identify all parts before assembly.

1. Be sure the power to the installation point is off.
2. Pull the power supply wires out from the outlet box, and mount the **Universal Crossbar** to the outlet box with **Outlet Box Screw**.
3. Attach the power supply wires to the fixture lead wires by connecting black to black, and white to white. Attach the power supply ground wire from the outlet box and the fixture ground wire from the fixture to the green ground screw on the mounting bracket or connect both wires together using the correct size of wire connectors.
4. Align the Holes in the **Blackplate** with the **Mounting Screw** attached to the **Universal Crossbar**.
5. Pass the fixture over the **Mounting Screw** and secure against by threading **Mounting Balls** onto end of Screw. Tighten until snug.
6. Position the **Socket** through the hole on the bottom of the **Glass Shade** and thread the **Socket Collar** onto the **Socket** to secure them. Hand tighten until snug.
7. Install correct bulb (included). See relamping label located at socket area for type and maximum allowed wattage.



22863