



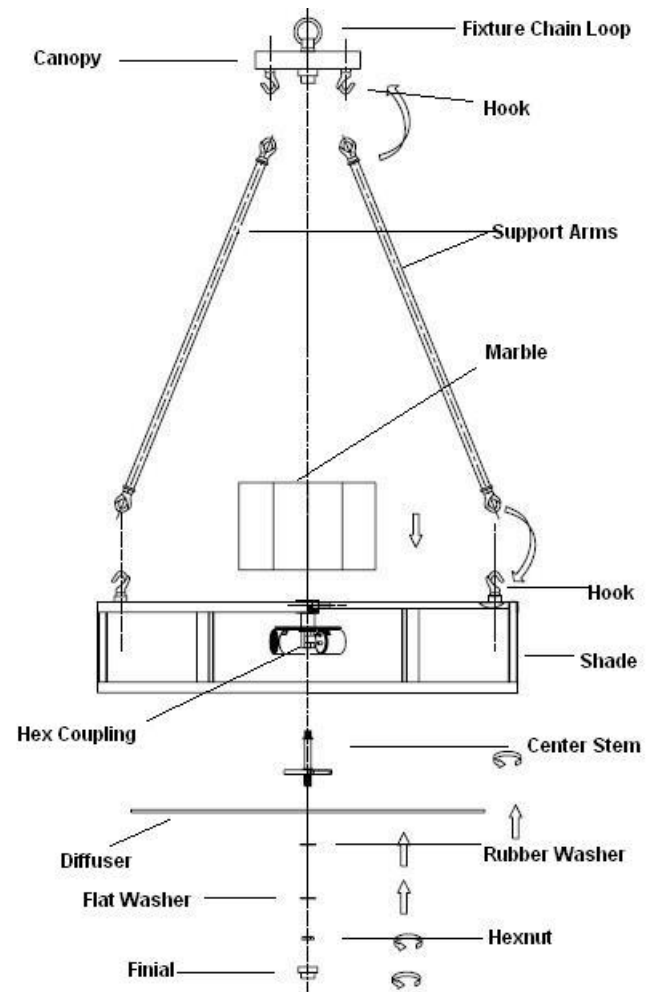
UTTERMOST

# ASSEMBLY INSTRUCTIONS

STYLE# **21236**

*Careful unpack all lamp parts from the carton.*

1. Carefully remove all parts from the carton.
2. Be sure the power to the installation point is OFF.
3. Fasten the **Crossbar** to the outlet box . Locate the **Nipple** and thread into the center of the **Crossbar**.
4. Locate the **Fixture Chain**、 **Ceiling Canopy**、 **Canopy Chain Loop**、 and **Canopy Lock ring**. Pass the Fixture Supply Wire and Ground Wires through in the following order: 1)Alternate **Fixture Loops** in the **Fixture Chain**; 2)**Canopy Lock ring**; 3)**Canopy Chain Loop**; 4)**Ceiling Canopy**. Finally, proceed to pass the wires through the **Nipple** attached to the **Crossbar**,
5. Thread **Center Stem** into the **Hex Coupling** underside of the **Socket Cluster**, Hand tighten until snug.
6. Located the following components over the end of the **Center Stem** in turn **Diffuser**, **Rubber Washer**, **Flat Washer**. Thread the **Hexnut** onto the end of the **Center Stem** and tighten until snug to secure the above parts.
7. Threaded **Finial** onto the end of the **Center Stem** and hand tighten until snug.
8. Put the **Marble** into the Shade.
9. Lift the **Shade** upward and attached to the end of **Support Arms**. Locate the end of **Support Arm** onto the **Hooks** inside of the Marble Shade.
10. Install correct bulbs(not included) referring to fixture markings and /or labels for maximum wattage.



21236

Your installation is completed now. Restore electricity.

Retain this sheet for future reference !