

Clinical Equipoise™ Lamps

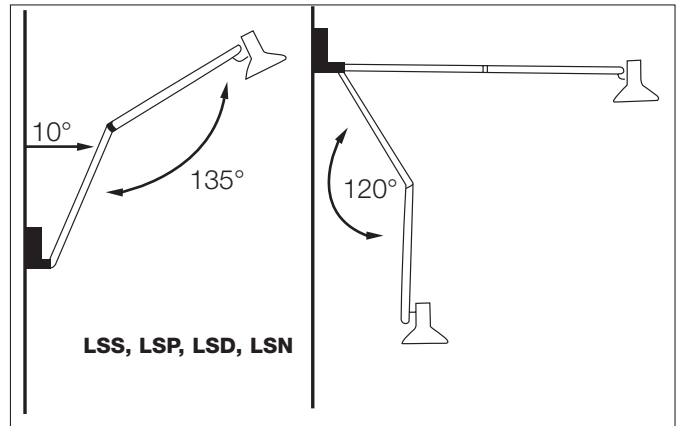


230V-240V



Made in NZ

- Products on this page supplied in white paint finish
- All models are constructed with clinical frames, which allow maximum downward movement when mounted on wall or ceiling brackets
- For safety reasons do not install lamps in a position where they come in contact with a flammable material



MAX. 100W

B22

LSD

- Equipoise shade 188mmØ
- Base options: LSM-2, 3H, 4, 11, 15, 16

MAX. 150W

PAR 38

MAX. 100W

GLS

E27

LSP

- Suits PAR 38 lamps.
- Shade 135mmØ
- 1065mm reach
- Base options: LSM-2, 3H, 4, 11, 12, 14, 15, 16

0.5m²

Lamp Included

GU 10

MAX. 50W

LSS

Halogen Inspection Lamp

- 50w 240 volts, dichroic bulb.
- Shade 108mmØ
- Base options: LSM-2, 3H, 4, 11, 14, 15, 16

