



Reflector Optimised Downlight

FLUORESCENT
SBFSP-14EWW
Included

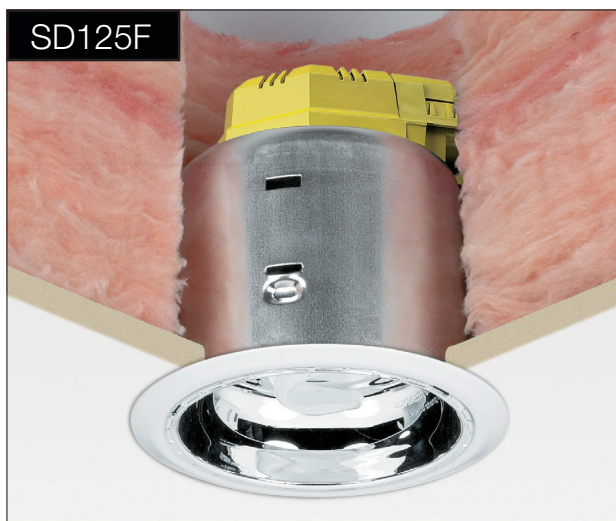


- 60 lm/W • 840 total lm
- 14Watts • 2,700K • CRI>80

LED
GLSD-6EWW



- 75 lm/W • 450 total lm • Dimmable
- 6Watts • 3,000K • CRI>81 • 270° Beam



THE ENERGY EFFICIENT DOWNLIGHT
 ESPECIALLY DESIGNED FOR
 SELF BALLASTED FLUORESCENT LAMPS
 15 WATTS EFFICIENCY TAKEN TO AN
 EXTREME 100WATTS ILLUMINANCE



DEDICATED LAMP - GLS lamps will not fit into the SD125F.

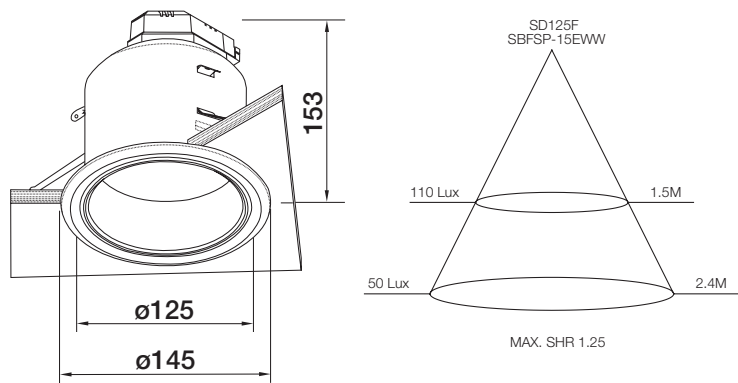
DEDICATED REFLECTOR - is designed to optimise self ballasted lamp characteristics.

DEDICATED COMPLETE SOLUTION - eliminates heat transfer inefficiencies in your home.



SD125F

- 14Watt self ballasted lamp included
- Lamp can be safely replaced, just twist out reflector allowing easy and safe access to grasp the back of the lamp .
- Lamp not exposed in ceiling cavity.
- Thermal cut-off and auto reset function for protection against misuse and overloading.



MODEL	CLASS	AIR / MOISTURE TRANSFER	INSULATION	F	Lamp	CAVITY DEPTH	SIDE CLEARANCE
SD125F	CA80	Closed	Side Abutted	Yes	125mm*	180mm	25mm
*SD125LFL		Optional Flange			130mm -175mm		