

Reflector & Baffled Downlights



LED
GLSD-6EWW

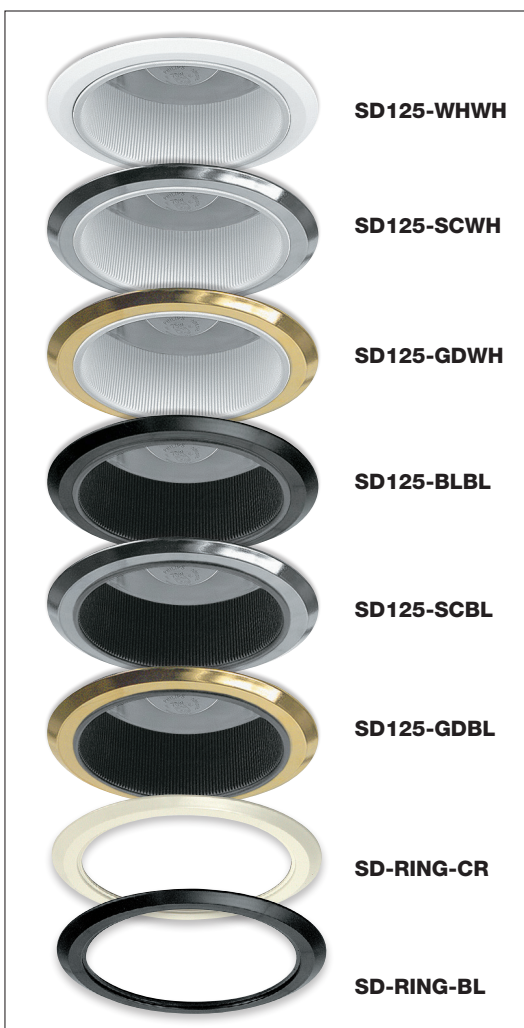
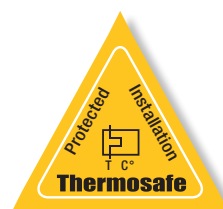


- 75 lm/W • 450 total lm • Dimmable
- 6Watts • 3,000K • CRI>81 • 270° Beam

HALOGEN
HDE100-E27



- 15 lm/W • 1500 total lm • Dimmable
- 100Watts • 3,000K • CRI>100

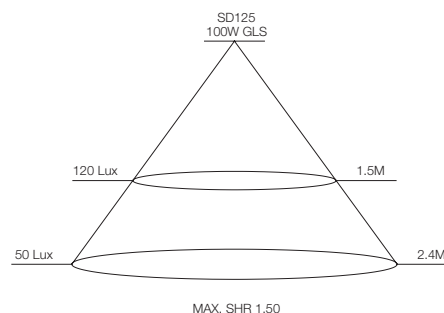
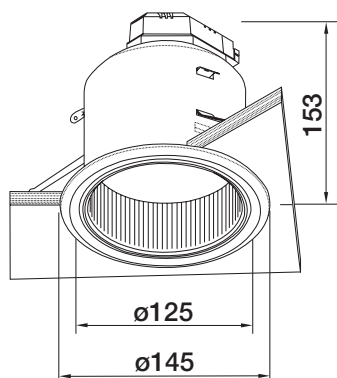


ESPECIALLY DESIGNED FOR YOUR SAFETY AND PEACE OF MIND
LOW GLARE BAFFLED DOWNLIGHT



SD125

- (RW) STC Sound Transmission Ratings
- Lamp not exposed in ceiling cavity
- Thermal cut-off and auto reset function for protection against misuse and overloading.
- Attractive low profile ceiling trim for improved aesthetic appeal.
- 3 mounting clips to ensure optimum snug fit to ceiling.



MODEL	CLASS	AIR / MOISTURE TRANSFER	INSULATION	F	Light Bulb	CAVITY DEPTH	SIDE CLEARANCE
SD125	CA135	Closed	Side Abutted	Yes	125mm*	180mm	25mm
*SD125-LFL		Optional Flange			130mm-175mm		