



UNITREK SRC9017 - 9W

Unitrek, architectural cylindrical recessed mount profile

Application

Designed for decorative retail or residential applications

Design Specifications

- Aluminium cylindrical body profile
- High efficiency COB LED chip
- Changeable multi-faceted reflector system, standard beam distribution 60 degree, optional 25 or 40 degree
- Polycarbonate optical lens
- Remote constant current trailing edge dimmable LED driver

Performance

Dimmable - **YES**

Dimmer Type - **Trailing edge**



Technical Specification

Model No.	Input Voltage (V/AC)	Power (W)	Lumens (lm)	CCT (K)	Beam Angle (°)	Dimmable
SRC9017WW/WH	240	9	700	3000	60	YES
SRC9017CW/WH	240	9	800	4000	60	YES
SRC9017DL/WH	240	9	800	6000	60	YES
SRC9017WW/BK	240	9	700	3000	60	YES
SRC9017CW/BK	240	9	800	4000	60	YES
SRC9017DL/BK	240	9	800	6000	60	YES

Technical Specification

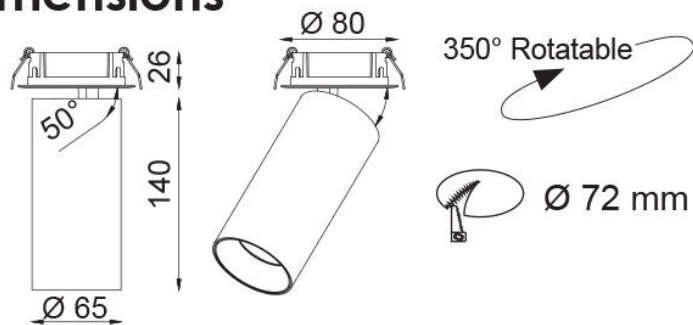
Model No.	CRI	Body Colour	Diameter (mm)	Dim (mm)
SRC9017WW/WH	80	WHITE	65	140(L)
SRC9017CW/WH	80	WHITE	65	140(L)
SRC9017DL/WH	80	WHITE	65	140(L)
SRC9017WW/BK	80	BLACK	65	140(L)
SRC9017CW/BK	80	BLACK	65	140(L)
SRC9017DL/BK	80	BLACK	65	140(L)

Due to continued product and technology enhancements, data sourced from sal.net.au shall not form part of any contract and or technical performance guarantee unless expressly confirmed in writing by SAL at the time of order. Products are sold in accordance with [SAL Terms and Conditions of sale](#) and all images shown are for illustration purposes only and may vary from the actual colour or finish. Unless specifically stated, all IP ratings nominated for Interior products are from "below the ceiling".

Dimensions



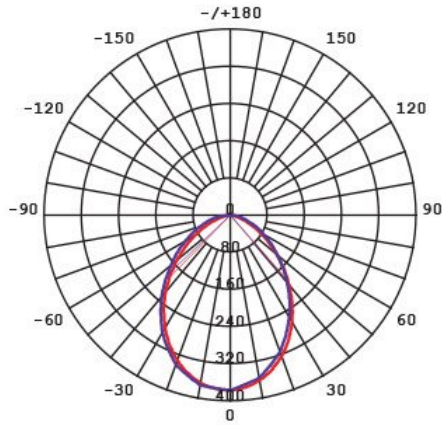
Dimensions



Photometric Data

Unit: cd C0/C180 _____ C90/C270 _____

SRC9017WW at 3000K



Product Images

