



UNIFIT S9053TCP - 10W

Dimmable 10 watt LED module, with selectable colour temperature

Application

Ideal for any residential or commercial interior space

Design Specifications

- Efficient die-cast aluminium heat sink
- High output COB LED chip
- Changeable multi-faceted reflector system, 60° standard beam, optional 25° and 40°.
- Polycarbonate optical lens
- Remote constant current trailing edge dimmable LED driver, fitted with flex and plug for plug and play
- Warm white single colour CCT option available (S9053 WP)

Performance

Dimmable - **YES**

Dimmer Type - **Trailing edge, optional 1-10V, DALI / DSI**



-
-
-
-
-
-
-
-
-
-
-
-

Technical Specification

Model No.	Input Voltage (V/AC)	Power (W)	Lumens (lm)	CCT (K)	Beam Angle (°)	Dimmable
S9053TCP	240	10	750/900/850	3000/4000/6000	60	YES

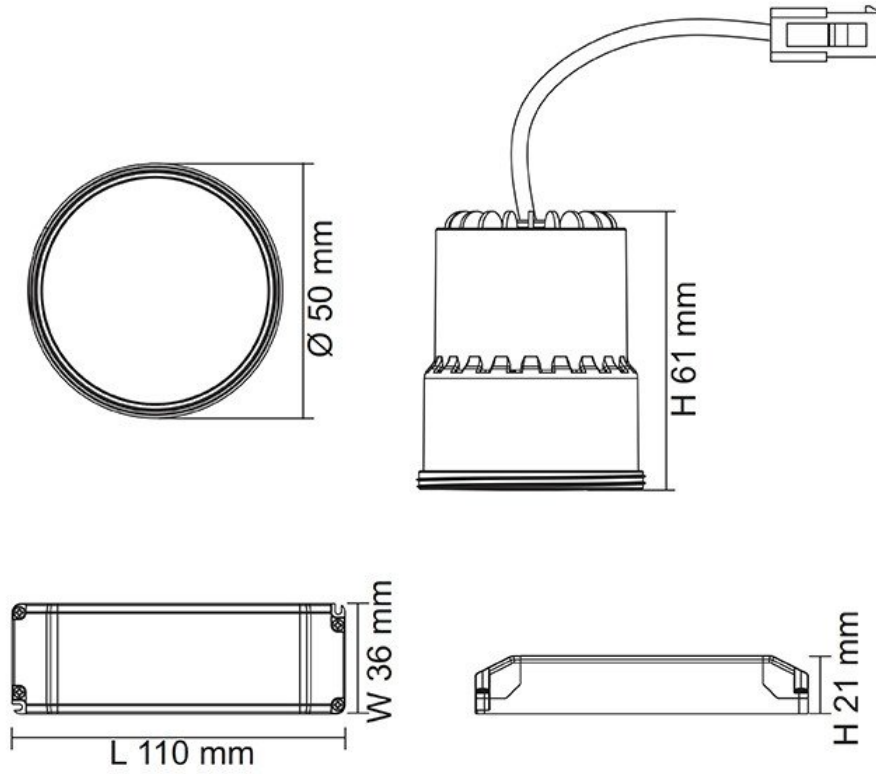
Technical Specification

Model No.	CRI	Diameter (mm)	Dim (mm)
S9053TCP	80	50	60(H)

Due to continued product and technology enhancements, data sourced from sal.net.au shall not form part of any contract and or technical performance guarantee unless expressly confirmed in writing by SAL at the time of order. Products are sold in accordance with [SAL Terms and Conditions of sale](#) and all images shown are for illustration purposes only and may vary from the actual colour or finish. Unless specifically stated, all IP ratings nominated for Interior products are from "below the ceiling".

Dimensions

s9053



Product Images

