



UNIFIT S9053 - 9W

Dimmable 9 watt LED Module

Application

Ideal for any residential or commercial interior space

Design Specifications

- Efficient die-cast aluminium heat sink
- High output COB LED chip
- Changeable multi-reflector system, standard beam distribution 60 degree, optional 25 and 40 degree
- Polycarbonate optical lens
- Remote constant current trailing edge dimmable LED driver, fitted with flex and plug for plug and play
- ACCESSORIES - S9053HC/P Honey comb, S9053DF/P Centre frost diffuser, S9053BF/P Buffer

Performance

Dimmable - **YES**

Dimmer Type - **Trailing edge, optional 1-10V, DALI / DSI**



-
-
-
-
-
-
-
-
-
-
-
-
-
-

Technical Specification

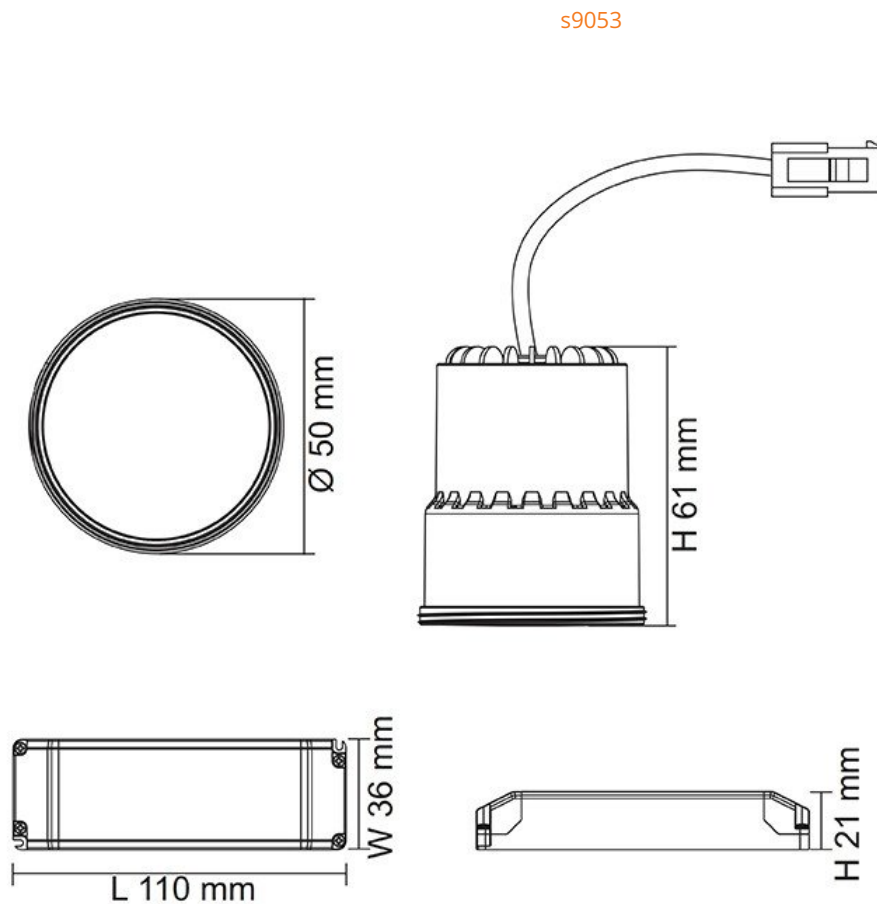
Model No.	Input Voltage (V/AC)	Power (W)	Lumens (lm)	CCT (K)	Beam Angle (°)	Dimmable
S9053 WP	240	9	700	3000	60	YES
S9053 CP	240	9	800	4000	60	YES
S9053 DP	240	9	800	6000	60	YES

Technical Specification

Model No.	CRI	Diameter (mm)	Dim (mm)	IPART	REES	VEET
S9053 WP	80	50	61(H)	YES	YES	YES
S9053 CP	80	50	61(H)			
S9053 DP	80	50	61(H)	YES	YES	YES

Due to continued product and technology enhancements, data sourced from sal.net.au shall not form part of any contract and or technical performance guarantee unless expressly confirmed in writing by SAL at the time of order. Products are sold in accordance with [SAL Terms and Conditions of sale](#) and all images shown are for illustration purposes only and may vary from the actual colour or finish. Unless specifically stated, all IP ratings nominated for Interior products are from "below the ceiling".

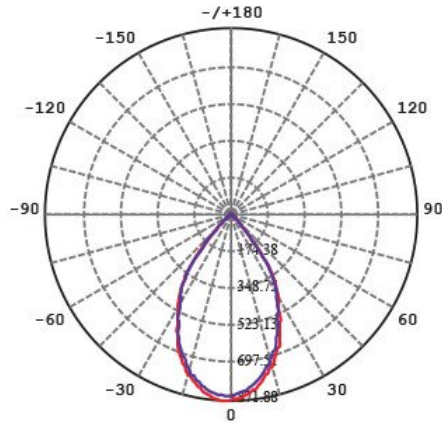
Dimensions



Photometric Data

Unit: cd C0/C180 _____ C90/C270 _____

S9053 WP at 3000K



Product Images

