



## UNIFIT S9009 - 9W

Centre tilt 30 degree dimmable 9 watt LED downlight

### Application

Ideal for any residential or commercial interior space

### Design Specifications

- Die cast aluminium body profile
- Stylish white powder coat finish
- High output COB LED chip
- Changeable multi-reflector system, 60 degree standard beam distribution, optional 25 and 40 degree.
- Polycarbonate optical lens
- Remote constant current trailing edge dimmable LED driver

### Performance

Dimmable - **YES**

Dimmer Type - **Trailing edge, optional 1-10V, DALI / DSI**



### Technical Specification

Model No.	Input Voltage (V/AC)	Power (W)	Lumens (lm)	CCT (K)	Beam Angle (°)	Dimmable
S9009WW	240	9	700	3000	60	YES
S9009CW	240	9	800	4000	60	YES
S9009DL	240	9	800	6000	60	YES
S9009HC/WW	240	8	620	3000	60	YES

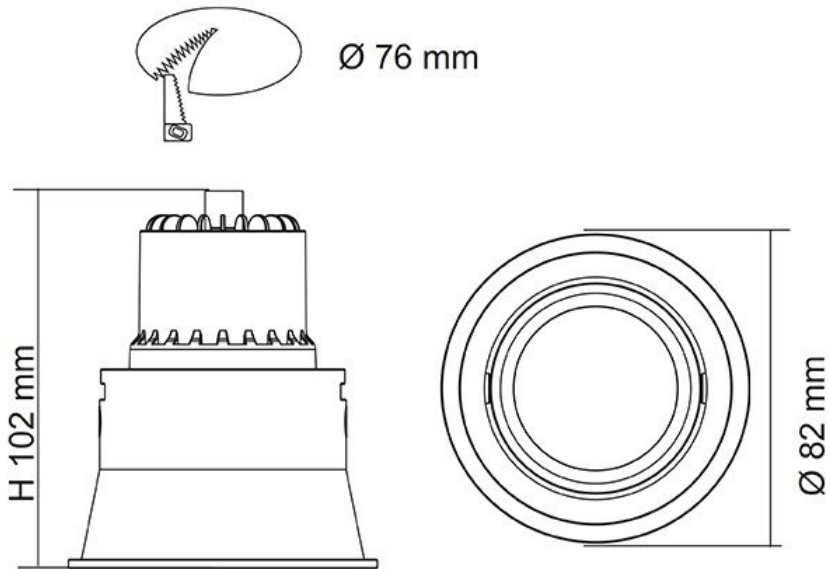
### Technical Specification

Model No.	CRI	Body Colour	Cut Out (mm)	Diameter (mm)	Dim (mm)
S9009WW	80	matt white	76	82	102(H)
S9009CW	80	matt white	76	82	102(H)
S9009DL	80	matt white	76	82	102(H)
S9009HC/WW	90	matt white	76	82	102(H)

Due to continued product and technology enhancements, data sourced from sal.net.au shall not form part of any contract and or technical performance guarantee unless expressly confirmed in writing by SAL at the time of order. Products are sold in accordance with [SAL Terms and Conditions of sale](#) and all images shown are for illustration purposes only and may vary from the actual colour or finish. Unless specifically stated, all IP ratings nominated for Interior products are from "below the ceiling".



## Dimensions





## Photometric Data

Unit: cd C0/C180 \_\_\_\_\_ C90/C270 \_\_\_\_\_

### S9009WW at 3000K

