



UNI LED S9656 SQ - 25W

Square profile IP54 LED downlights

Application

Ideal for commercial interior spaces such as foyers and office areas

Design Specifications

- Durable die-cast aluminium body profile with a square trim profile
- Stylish white or black powder coat finish
- High output COB LED chip
- Multi-faceted reflector system
- Remote constant current LED driver for easy installation, with flex and plug
- Optional dropped glass accessory



Performance

Dimmable - **OPTIONAL**

Dimmer Type - **Trailing edge, 1-10V, DALI / DSI**

Technical Specification

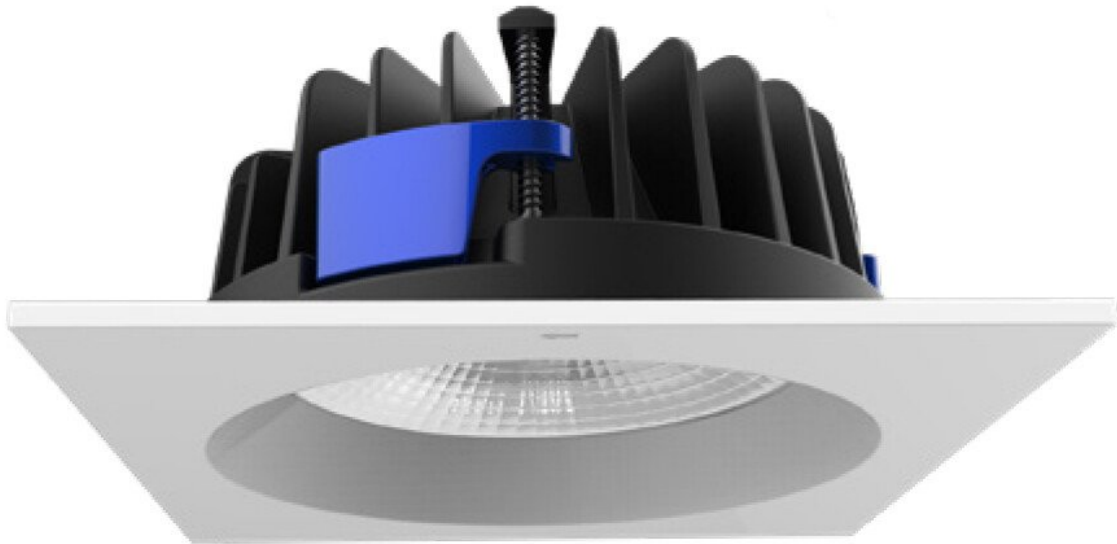
Model No.	Description	Input Voltage (V/AC)	Power (W)	Lumens (lm)	CCT (K)	Beam Angle (°)
S9656WW WH SQ	LED D/LIGHT SQUARE 25W 3K WH	240	25	2200	3000	90
S9656WW BK SQ	LED D/LIGHT SQUARE 25W 3K BK	240	25	2200	3000	90
S9656WW WH SQG	LED D/L SQ. D/GLASS 25W 3K WH	240	25	2200	3000	90
S9656CW WH SQ	LED D/LIGHT SQUARE 25W 4K WH	240	25	2300	4000	90
S9656CW BK SQ	LED D/LIGHT SQUARE 25W 4K BK	240	25	2300	3000	90
S9656CW WH SQG	LED D/LIGHT SQ D/GLASS 25W 4K WH	240	25	2300	3000	90

Technical Specification

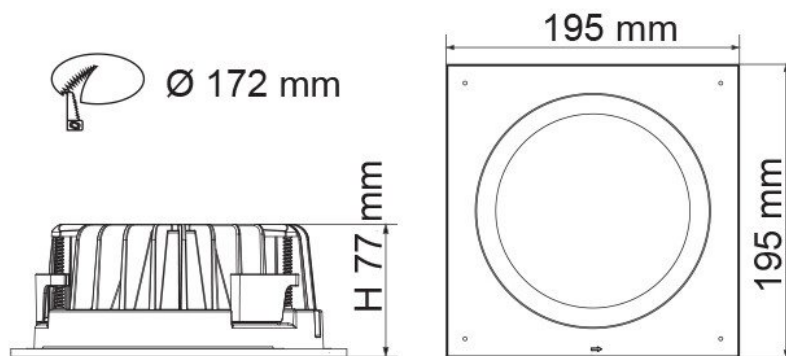
Model No.	Dimmable	CRI	Body Colour	Dim (mm)
S9656WW WH SQ	OPTIONAL	80	WHITE	195(L) x 195(W) x 77(H)
S9656WW BK SQ	OPTIONAL	80	BLACK	195(L) x 195(W) x 77(H)
S9656WW WH SQG	OPTIONAL	80	WHITE	195(L) x 195(W) x 77(H)
S9656CW WH SQ	OPTIONAL	80	WHITE	195(L) x 195(W) x 77(H)
S9656CW BK SQ	OPTIONAL	80	BLACK	195(L) x 195(W) x 77(H)
S9656CW WH SQG	OPTIONAL	80	WHITE	195(L) x 195(W) x 77(H)

Due to continued product and technology enhancements, data sourced from sal.net.au shall not form part of any contract and or technical performance guarantee unless expressly confirmed in writing by SAL at the time of order. Products are sold in accordance with [SAL Terms and Conditions of sale](#) and all images shown are for illustration purposes only and may vary from the actual colour or finish. Unless specifically stated, all IP ratings nominated for Interior products are from "below the ceiling".

Dimensions



Dimensions

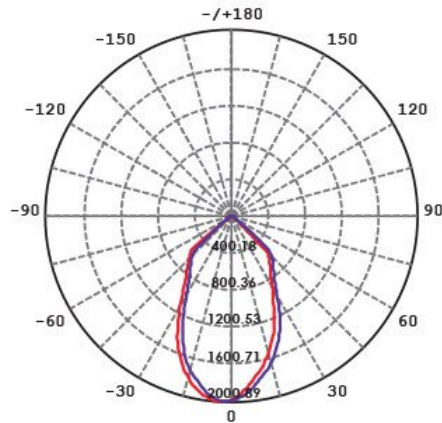




Photometric Data

Unit: cd C0/C180 _____ C90/C270 _____

S9656WW SQ at 3000K



Product Images

