



TITAN S9776 - 40/80W

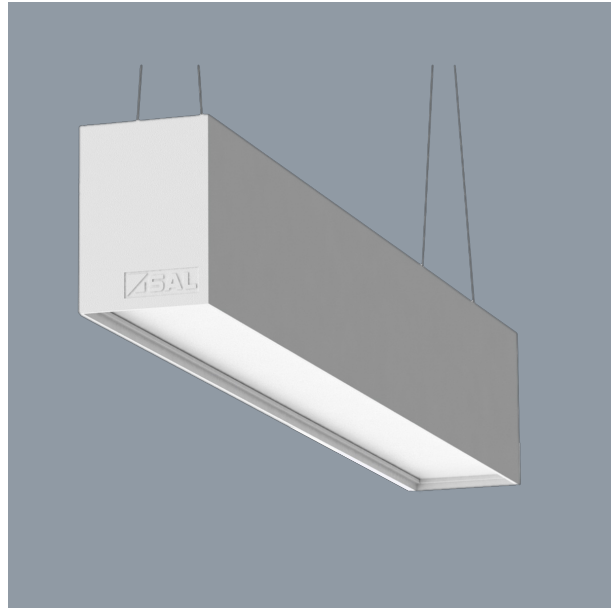
40 or 80 watt LED connectable profile

Application

Decorative commercial applications, meeting rooms or amenity areas

Design Specifications

- Extruded aluminium profile colour white, with opal polycarbonate diffuser
- High efficiency SMD LED chips, CRI > 80, beam distribution 90 degree, CCT 4000K, optional 3000K/6000K.
- Integral constant current non-dimmable LED driver 40 or 80 watt
- Adjustable suspension kit fitted (2 x SSY1512), Accessory option - straight link (S9776IP)
- Surface mounted (allow min. 70 mm clearance at both ends) Loop in loop out cable duct



Performance

Dimmable - **OPTIONAL**

Dimmer Type - **Trailing edge, DALI / DSI**

Technical Specification

Model No.	Description	Input Voltage (V/AC)	Power (W)	Lumens (lm)	CCT (K)	CRI
S9776/40CW	LED LINKABLE 40W	240	40	3000	4000	80
S9776/80CW	LED LINKABLE 80W	240	80	6000	4000	80
S9776/40CW/BK	LED LINKABLE 40W	240	40	3000	4000	80
S9776/80CW/BK	LED LINKABLE 80W	240	80	6000	4000	80

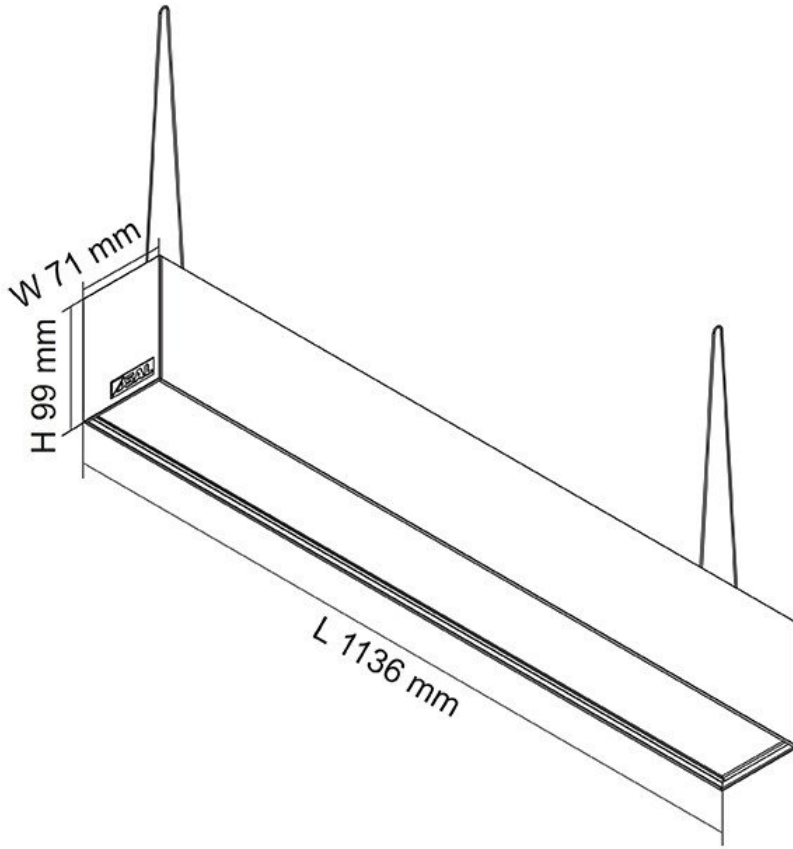
Technical Specification

Model No.	Beam Angle (°)	Dimmable	Dim (mm)	Body Colour
S9776/40CW	90	OPTIONAL	1138(L) x 71(W) x 99(H)	WHITE
S9776/80CW	90	OPTIONAL	2256(L) x 71(W) x 99(H)	WHITE
S9776/40CW/BK	90	OPTIONAL	1138(L) x 71(W) x 99(H)	BLACK
S9776/80CW/BK	90	OPTIONAL	2256(L) x 71(W) x 99(H)	BLACK

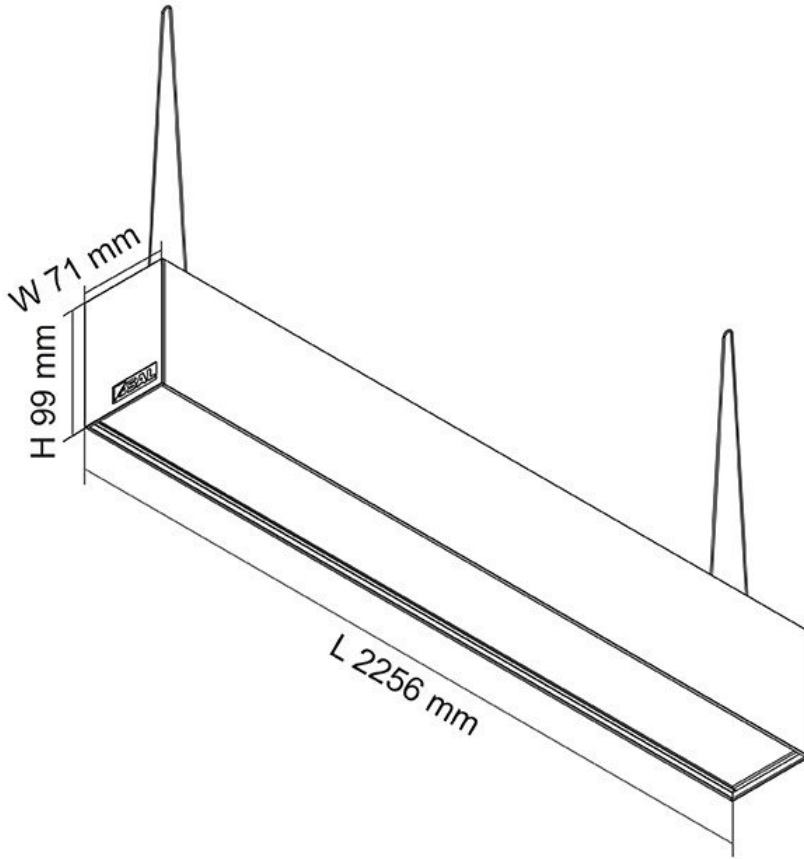
Due to continued product and technology enhancements, data sourced from sal.net.au shall not form part of any contract and or technical performance guarantee unless expressly confirmed in writing by SAL at the time of order. Products are sold in accordance with [SAL Terms and Conditions of sale](#) and all images shown are for illustration purposes only and may vary from the actual colour or finish. Unless specifically stated, all IP ratings nominated for Interior products are from "below the ceiling".

Dimensions

S9776 40



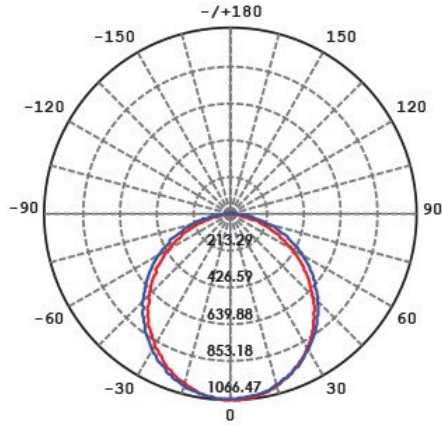
S9776 80



Photometric Data

Unit: cd C0/C180 _____ C90/C270 _____

S9776/40CW at 4000K



Product Images

