



SURFACE SPOT SMT9017 - 9W

Unitrek, architectural surface mount profile

Application

Retail or residential interior spaces

Design Specifications

- Aluminium body profile, colour white or optional black
- High performance COB LED, CRI > 80
- Changeable multi-faceted reflector system, standard beam distribution 60 degree, optional 25 or 40 degree
- Polycarbonate optical lens
- Integral constant current trailing edge dimmable LED driver

Performance

Dimmable - **YES**

Dimmer Type - **Trailing edge**



Technical Specification

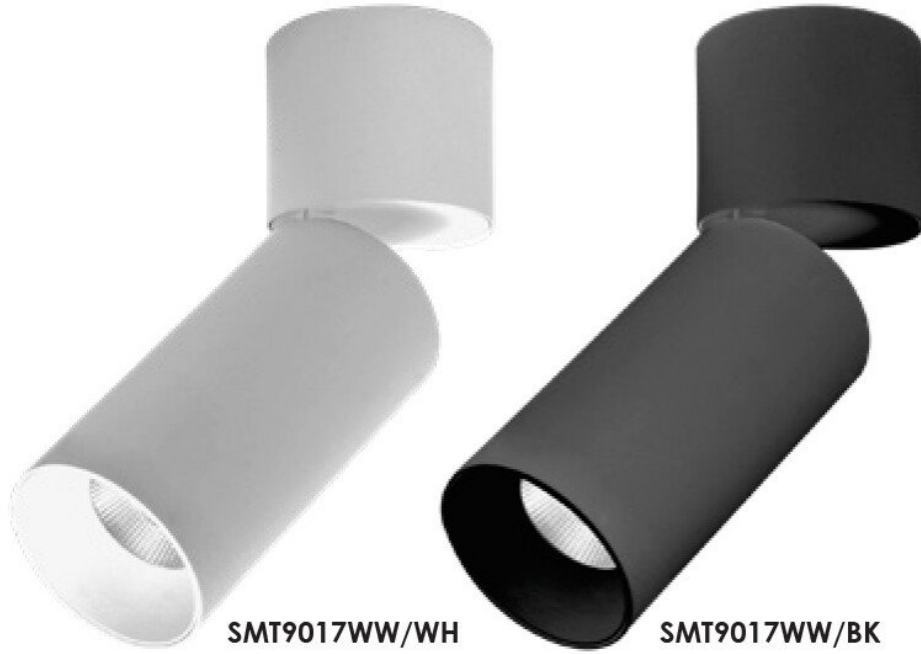
Model No.	Input Voltage (V/AC)	Power (W)	Lumens (lm)	CCT (K)	Beam Angle (°)	Dimmable
SMT9017WW/WH	240	9	700	3000	60	YES
SMT9017CW/WH	240	9	800	4000	60	YES
SMT9017DL/WH	240	9	800	6000	60	YES
SMT9017WW/BK	240	9	700	3000	60	YES
SMT9017CW/BK	240	9	800	4000	60	YES
SMT9017DL/BK	240	9	800	6000	60	YES

Technical Specification

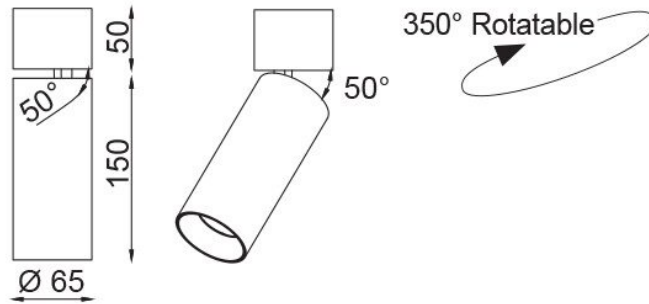
Model No.	CRI	Body Colour	Dim (mm)
SMT9017WW/WH	80	WHITE	65(W) x 150(H)
SMT9017CW/WH	80	WHITE	65(W) x 150(H)
SMT9017DL/WH	80	WHITE	65(W) x 150(H)
SMT9017WW/BK	80	BLACK	65(W) x 150(H)
SMT9017CW/BK	80	BLACK	65(W) x 150(H)
SMT9017DL/BK	80	BLACK	65(W) x 150(H)

Due to continued product and technology enhancements, data sourced from sal.net.au shall not form part of any contract and or technical performance guarantee unless expressly confirmed in writing by SAL at the time of order. Products are sold in accordance with [SAL Terms and Conditions of sale](#) and all images shown are for illustration purposes only and may vary from the actual colour or finish. Unless specifically stated, all IP ratings nominated for Interior products are from "below the ceiling".

Dimensions



Dimensions

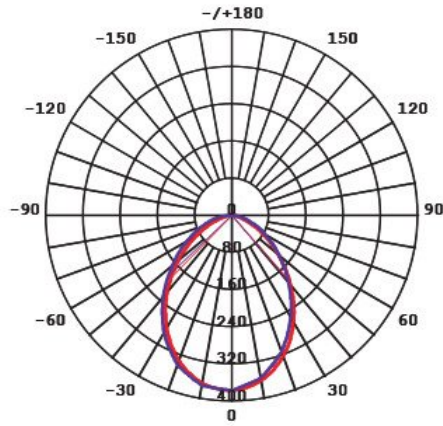




Photometric Data

Unit: cd C0/C180 _____ C90/C270 _____

SMT9017WW at 3000K



Product Images

