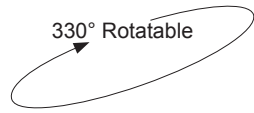


THREE CIRCUIT LED TRACK LIGHT

STR4881 UNIVERSAL I



CONSTRUCTION

- Die-cast aluminium body
- Powder coated finish
- Clear tempered glass cover
- High output COB LED chip
- High performance multi-reflector system
- Built-in constant current non-dimmable LED driver

IP RATING

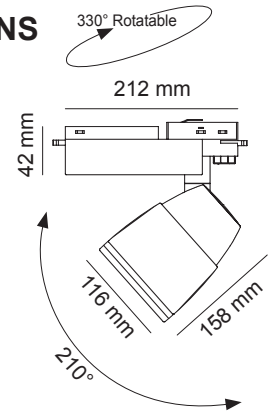
- IP20 suitable for interior use only

BEAM ANGLE

- 24° (standard)
- 14°, 18°, 36° (option)

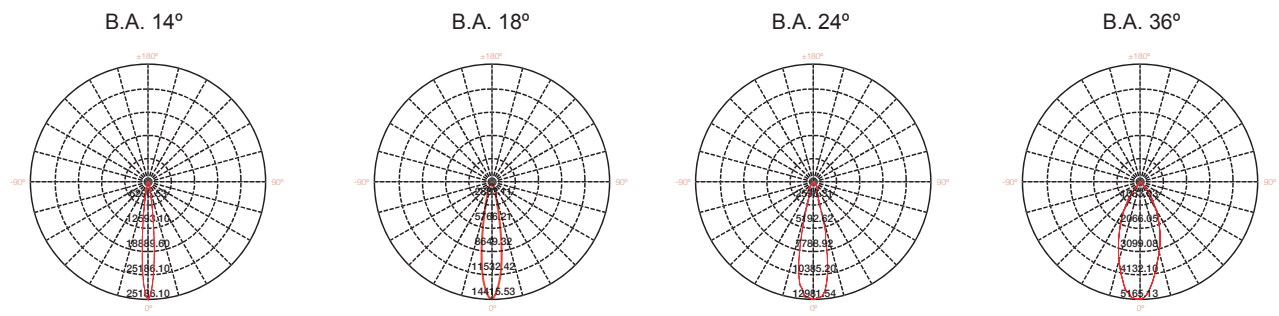


DIMENSIONS



Model No.	Input	Power	Lumen	CCT	Beam Angle	CRI	Fitting Colour
STR4881/30BK WW 24 DG	240V	30W	2600lm	3000K	24°	>80	Black
STR4881/30BK CW 24 DG	240V	30W	2600lm	4000K	24°	>80	Black
STR4881/30WH WW 24 DG	240V	30W	2600lm	3000K	24°	>80	White
STR4881/30WH CW 24 DG	240V	30W	2600lm	4000K	24°	>80	White
STR4881/50BK WW 24 DG	240V	50W	4200lm	3000K	24°	>80	Black
STR4881/50BK CW 24 DG	240V	50W	4200lm	4000K	24°	>80	Black
STR4881/50WH WW 24 DG	240V	50W	4200lm	3000K	24°	>80	White
STR4881/50WH CW 24 DG	240V	50W	4200lm	4000K	24°	>80	White

PHOTOMETRIC DATA Unit: cd STR4881/50 WW 3000K C0/C180



Specifications above are for reference only and may vary without prior notice