

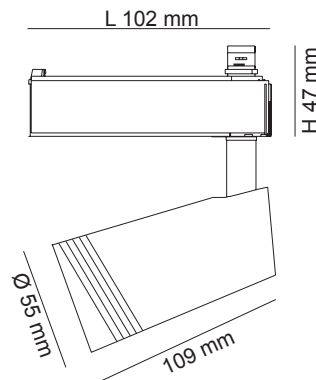
# SINGLE CIRCUIT LED TRACK LIGHT

## STR4861 SPOTTY I



STR4861 WH

### DIMENSIONS



### CONSTRUCTION

- Die-cast aluminium body
- Powder coated finish
- High output COB LED chip
- Specially designed optical lens
- Built-in constant current non-dimmable LED driver

### IP RATING

- IP20 suitable for interior use only

### BEAM ANGLE

- 24° (standard)
- 36° (option)

Model No.	Input	Power	Lumen	CCT	Beam Angle	CRI	Fitting Colour
STR4861WW/WH	240V	6W	500lm	3000K	24°	>80	White
STR4861WW/BK	240V	6W	500lm	3000K	24°	>80	Black

### PHOTOMETRIC DATA

Unit: cd, B.A. 24° STR4861WW C0/C180 ——— C90/C270 ———

