

DIMMABLE LED PENDANT LIGHT

SPL3000 HALO



CONSTRUCTION

- Slim disc like appearance
- Polycarbonate body
- Opal acrylic diffuser
- High efficiency SMD LED chips
- Built-in constant current trailing edge dimmable LED driver
- Suspension kits provided (standard length 1.5 m and adjustable)

IP RATING

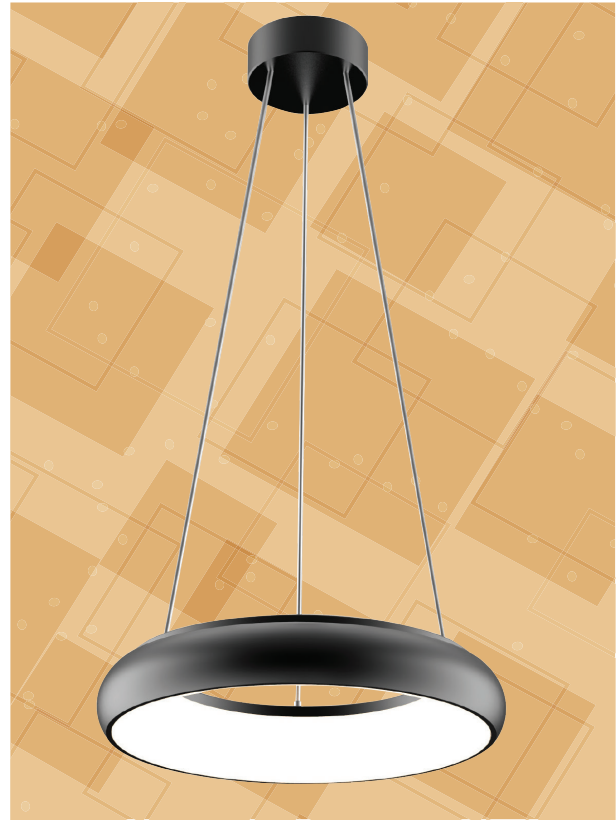
- IP20 suitable for interior use only

TRIM COLOUR

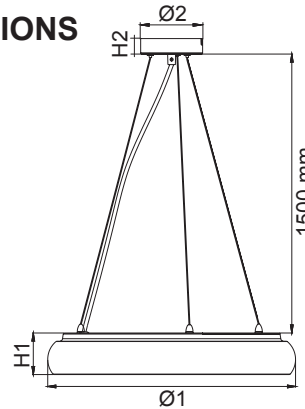
- Black (standard)
- Silver (option)

COLOUR TEMPERATURE

- 4000K Cool White (standard)
- 3000K Warm White (option)
- 5700K Daylight (option)



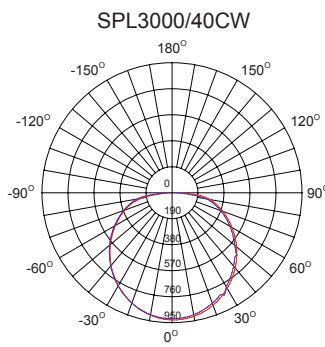
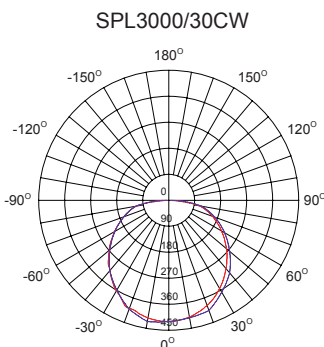
DIMENSIONS



Model No.	Input	Power	Lumen	CCT	CRI	Fitting Colour	Dimensions Ø1 x H1, Ø2 x H2
SPL3000/30CW	240V	18W	1450lm	4000K	>80	Black	300 x 51, 100 x 25 mm
SPL3000/40CW	240V	35W	3300lm	4000K	>80	Black	400 x 68, 130 x 35 mm

PHOTOMETRIC DATA

UNIT: cd C0/C180 — C90/270



Specifications above are for reference only and may vary without prior notice



Dimmer/Switch Compatible



www.sal.net.au