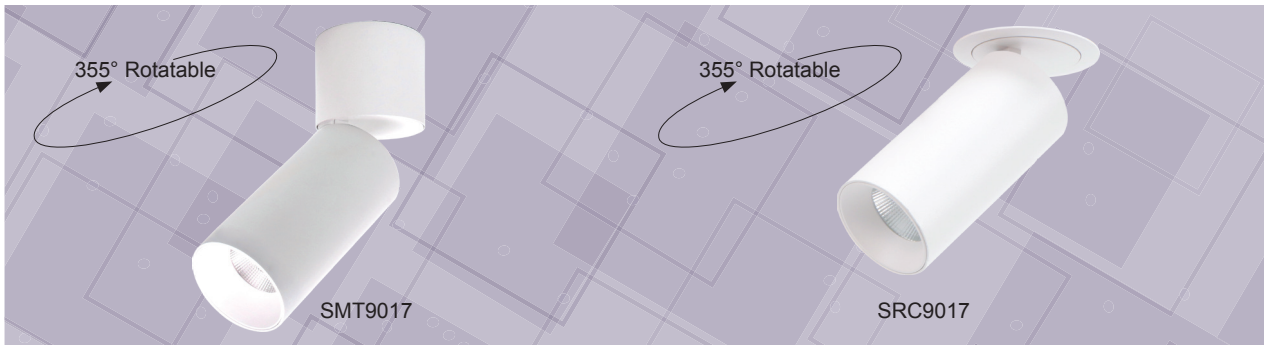


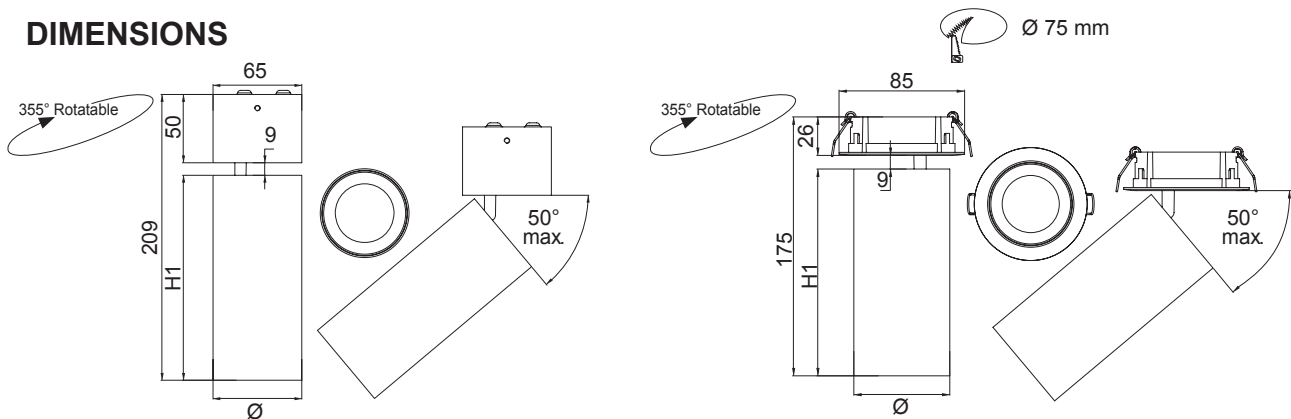
LED SPOT LIGHT

SURFACE MOUNTED **SMT9017 UNITREK**

RECESSED **SRC9017 UNITREK**



DIMENSIONS



CONSTRUCTION

- Architectural cylindrical profile
- Die-cast aluminium body
- High efficiency COB LED chip
- Changeable multi-reflector system
- Polycarbonate optical lens
- Built-in constant current trailing edge dimmable LED driver

IP RATING

- IP20 suitable for interior use only

FITTING COLOUR

- Matt white (standard), Black (option)

BEAM ANGLE

- 60° (standard)
- 25° optical reflector (option)
- 40° optical reflector (option)

Model No.	Input	Power	Lumen	CCT	Beam Angle	CRI	Fitting Colour	Cut out Ø	Dimension Ø x H1
SMT9017WW/WH	240V	9W	700lm	3000K	60°	>80	White	—	65 x 150 mm
SMT9017CW/WH	240V	9W	800lm	4000K	60°	>80	White	—	65 x 150 mm
SMT9017DL/WH	240V	9W	800lm	6000K	60°	>80	White	—	65 x 150 mm
SRC9017WW/WH	240V	9W	700lm	3000K	60°	>80	White	75 mm	65 x 140 mm
SRC9017CW/WH	240V	9W	800lm	4000K	60°	>80	White	75 mm	65 x 140 mm
SRC9017DL/WH	240V	9W	800lm	6000K	60°	>80	White	75 mm	65 x 140 mm

PHOTOMETRIC DATA

Unit: cd C0/C180 — C90/C270 — SMT9017WW, SRC9017WW

