

# INFRARED SENSORS – SURFACE MOUNTED

## SMS801WF SENSOR

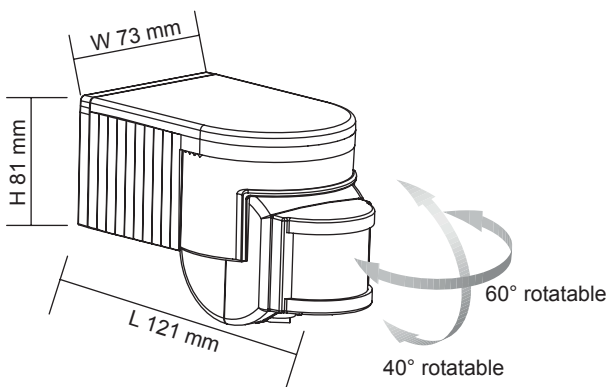


Operating voltage	240V
Switched power	1000W incandescent, 300W Fluorescent, 150W LED
Standby power	<1W
Detection distance	Max. 12 m
Detection angle	Approx. 180° horizontal, 60° vertical
Duration Time	10 sec to 4 mins adjustable
Lux threshold	Dawn to dusk adjustable
Sensor principle	Infrared sensor
Material	PC
Mounting Method	Wall mounted
Mounting height	Max. 6 m
Operating temperature	-10° ~ +40°C
IP rating	IP44

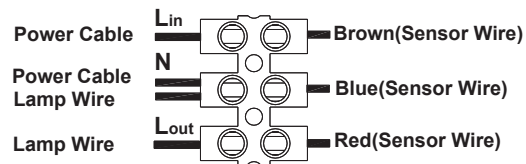
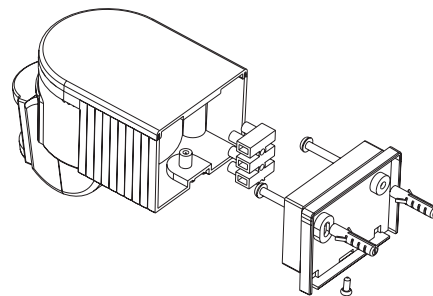


### DIMENSIONS

SMS801WF



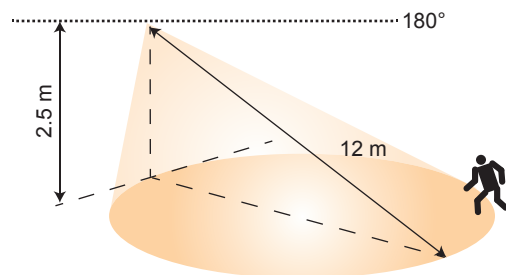
### WIRING DIAGRAM



### MANUAL OVERRIDE MODE

- When the lamp(s) is switched on, turn the lamp(s) off/on twice within 3 seconds, the sensor will go to an 8 hour override mode, during which the lamp(s) will stay on. The sensor will then return to normal detection mode
- During override mode, turn the lamp(s) on/off twice within 3 seconds or turn off the lamp(s) for over 10 seconds, the sensor will return to normal detection mode

### DETECTION RANGE



Model No.	Input	Power	Detection Range	IP Rating	Type	Mounting	Colour
SMS801WF	240V	150W	12 m max. at 2.5 m	IP44	Infrared	Wall mount	Black