


DIMMABLE LED SQUARE OYSTER LIGHT

SL3247 CUSHION



CONSTRUCTION

- 4 size options
- Soft square architectural design
- Polycarbonate housing
- Opal polycarbonate diffuser
- Double insulation 
- High efficiency SMD LED chips
- Built-in constant current trailing edge dimmable LED driver

IP RATING

- IP54 weatherproof

COLOUR TEMPERATURE

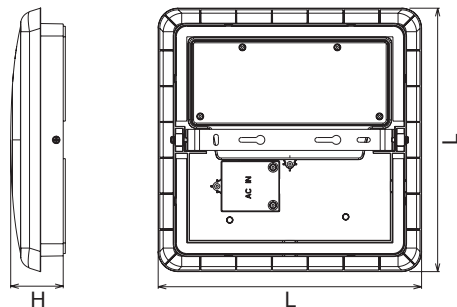
- 4000K Cool White (standard)
- 3000K Warm White (option)
- 5700K Daylight (option)

SENSOR OPTION

- Integrated microwave motion sensor (SL3247/25 only)



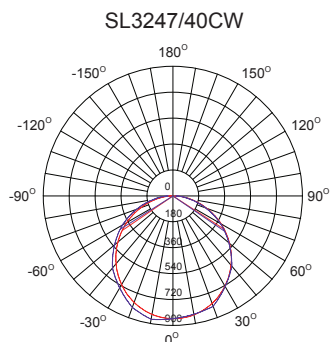
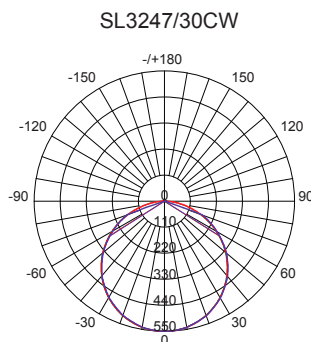
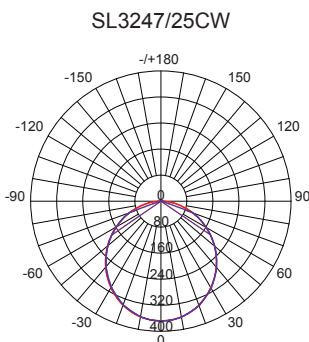
DIMENSIONS



Model No.	Input	Power	Lumen	CCT	CRI	Fitting Colour	Dimensions L x H
SL3247/25CW	240V	12W	1000lm	4000K	>80	White	250 x 50 mm
SL3247/30CW	240V	18W	1600lm	4000K	>80	White	300 x 40 mm
SL3247/35CW	240V	25W	2400lm	4000K	>80	White	350 x 40 mm
SL3247/40CW	240V	30W	2500lm	4000K	>80	White	400 x 50 mm

PHOTOMETRIC DATA

UNIT: cd C0/C180 _____ C90/C270 _____



Dimmer / Switch
Compatible



www.sal.net.au