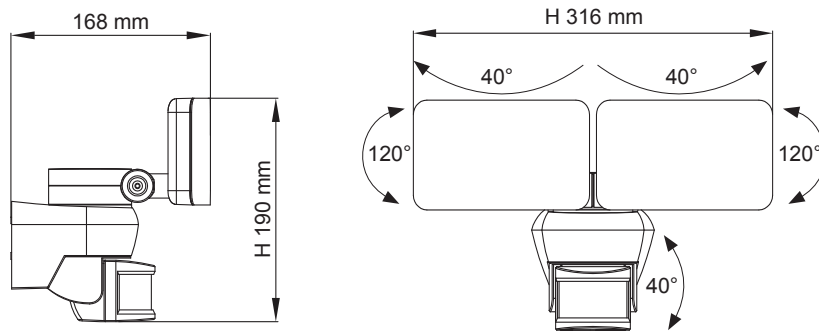


LED FLOOD LIGHT

SES7090/2 BATWING



DIMENSIONS



CONSTRUCTION

- Independently adjustable heads
- Polycarbonate mounting base
- Die-cast aluminium heat sink
- Powder coated finish
- UV stabilised opal polycarbonate diffuser
- High efficiency SMD LED chips

- Built-in constant current non-dimmable LED driver
- Built-in infrared motion sensor with override function
- Installation height: 1.5-3.5 m

IP RATING

- IP54 weatherproof

Model No.	Input	Power	Lumen	CCT	CRI	Fitting Colour
SES7090/2WW/BK	240V	2 x 20W	2 x 1600lm	3000K	>80	Black
SES7090/2DL/BK	240V	2 x 20W	2 x 1750lm	6000K	>80	Black

SENSOR SPECIFICATIONS

Power Source	Detection Range	Detection Angle	Working Temperature	Time Setting	Lux Threshold	Power	Detection Motion Speed
240V	18 m @ 2.5 m height	180°	-20°C~+40°C	10sec-8min	5-2000lux	0.45W (Static 0.1W)	0.6-1.5 m/s