

# LED DECK LIGHT KITS

## SE8001, SE8002, SE8003RGB HAMPTONS



### FEATURES

- IP67 deck lights with IP65 driver
- 10VA 12V DC driver with 2 m rubber flex & 2 pin plug
- High efficiency SMD LED
- Quick connect system
- Ideal for DIY
- Can be extended up to 10 deck lights

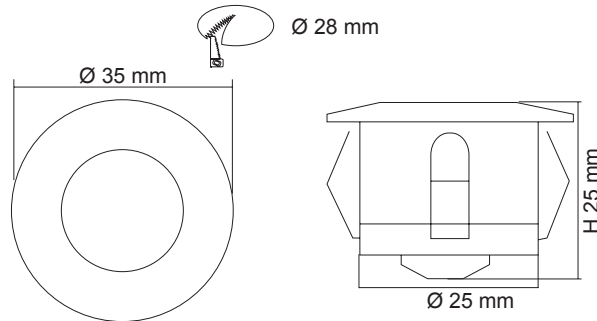
## SE8001 HAMPTONS



SE8001 LED deck light kit

SE8001P LED deck light extension kit

### DIMENSIONS



### CONSTRUCTION

- Durable 316L stainless steel face & body
- Clear tempered glass
- Ø35 mm x H25 mm round deck lights
- 6 x 0.6W deck light heads with 3.5 m PVC flex & 2 pin quick connect plug
- 6 m rubber flex with 6 x 2 pin quick connect sockets
- 1 x IP65 10VA driver

### SE8001P

### LED DECK LIGHT EXTENSION KIT

### CONTENTS

- 1 x Ø35 x H25 mm, 316 stainless steel face & body round deck light
- 1 x 3.5 m PVC flex with 2 pin quick connect plug
- 1 x 1.1 m extension cable

Model No.	Power	CCT	CRI	Dimmable
SE8001WW	6 x 0.6W	3000K	>80	No
SE8001NDL	6 x 0.6W	5000K	>80	No

Model No.	Power	CCT	CRI	Dimmable
SE8001P/WW	1 x 0.6W	3000K	>80	No
SE8001P/NDL	1 x 0.6W	5000K	>80	No



# LED DECK LIGHT KITS

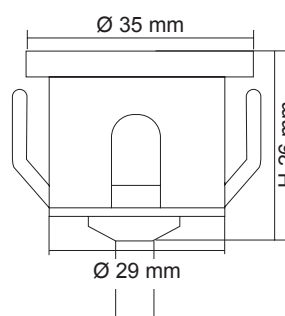
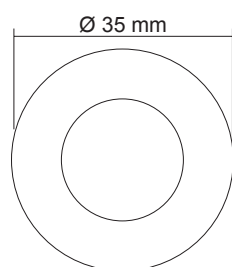
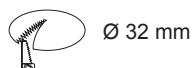
## SE8002 HAMPTONS



SE8002 LED deck light kit

SE8002P LED deck light extension kit

### DIMENSIONS



### CONSTRUCTION

- Durable 316 stainless steel face
- Aluminium body
- Frosted polycarbonate diffuser
- Ø35 mm x H26 mm round deck lights
- 6 x 0.6W deck light head with 3.5 m PVC flex & 2 pin quick connect plug
- 6 m rubber flex with 6 x 2 pin quick connect sockets
- 1 x IP65 10VA driver

### SE8002P

### LED DECK LIGHT EXTENSION KIT

### CONTENTS

- 1 x Ø35 x H26 mm, 316 stainless steel face round deck light
- 1 x 3.5 m PVC flex with 2 pin quick connect plug
- 1 x 1.1 m extension cable

Model No.	Power	CCT	CRI	Dimmable
SE8002WW	6 x 0.6W	3000K	>80	No
SE8002NDL	6 x 0.6W	5000K	>80	No

Model No.	Power	CCT	CRI	Dimmable
SE8002P/WW	1 x 0.6W	3000K	>80	No
SE8002P/NDL	1 x 0.6W	5000K	>80	No

# LED DECK LIGHT KITS

## SE8003RGB HAMPTONS

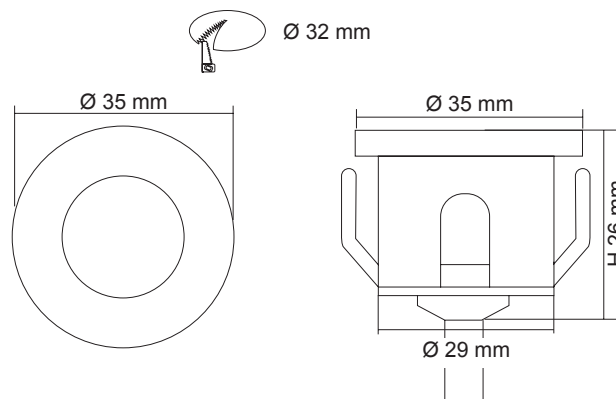
**IP67**



SE8003RGB LED deck light kit

SE8003RGB/P LED deck light extension kit

### DIMENSIONS



### CONSTRUCTION

- Durable 316 stainless steel face
- Aluminium body
- Frosted polycarbonate diffuser
- Ø35 mm x H26 mm round deck lights
- 6 x 0.2W deck light head with 0.5 m PVC flex & 4 pin quick connect plug
- 10 m rubber flex with 6 x 4 pin quick connect sockets
- 1 x IP65 10VA driver
- Multi-function remote controller included

### SE8003RGB/P LED DECK LIGHT EXTENSION KIT

#### CONTENTS

- 1 x Ø35 x H26 mm, 316 stainless steel face round deck light
- 1 x 0.5 m PVC flex with 4 pin quick connect plug
- 1 x 1.6 m extension cable

Model No.	Power	Dimmable	IP Rating
SE8003RGB	6 x 0.2W	Yes	IP67

Model No.	Power	Dimmable	IP Rating
SE8003RGB/P	1 x 0.2W	Yes	IP67