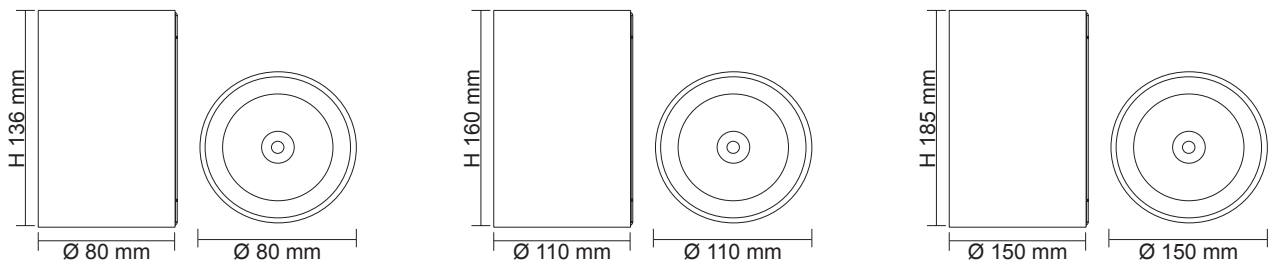


LED SURFACE LIGHT

SE7188 PILLAR



DIMENSIONS



CONSTRUCTION

- Surface mounted downlight with no-screw outside fitting provides a much cleaner design
- Clear tempered glass cover
- High output COB LED chip
- Changeable high performance multi-reflector system
- Built-in constant current non-dimmable LED driver

IP RATING

- IP65 weatherproof

BEAM ANGLE

- 30° (standard)
- S9603/80: 10°, 20°, 40°, 50° (option)
- S9603/110: 10°, 20°, 40°, 70° (option)
- S9603/150: 12°, 20°, 40°, 70° (option)

COLOUR TEMPERATURE

- 4000K Cool White (standard)
- 3000K Warm White (option)
- 5000K Neutral Daylight (option)

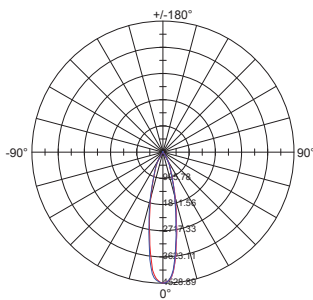


Model No.	Input	Power	Lumen	CCT	Beam Angle	CRI	Fitting Colour	Dimension Ø x H
SE7188/80/20CW	240V	20W	2000lm	4000K	30°	>80	Black	80 x 136 mm
SE7188/110/25CW	240V	20W	2500lm	4000K	30°	>80	Black	110 x 160 mm
SE7188/110/34CW	240V	28W	3400lm	4000K	30°	>80	Black	110 x 160 mm
SE7188/150/42CW	240V	34W	4200lm	4000K	30°	>80	Black	150 x 185 mm
SE7188/150/49CW	240V	38W	4900lm	4000K	30°	>80	Black	150 x 185 mm
SE7188/150/62CW	240V	62W	6200lm	4000K	30°	>80	Black	150 x 185 mm

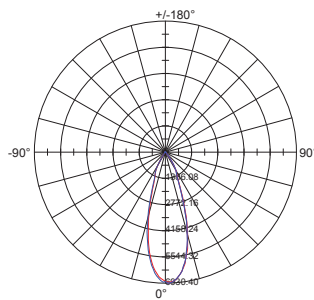
PHOTOMETRIC DATA

UNIT: cd C0/C180 _____ C60/240 _____ C90/270 _____

SE7188/80/20CW (20°)



SE7188/110/34CW (30°)



SE7188/150/62CW (70°)

