

LED SHOP LIGHT

S9656, S9658 UNI LED



CONSTRUCTION

- Die-cast aluminium body
- Powder coated finish
- High output COB LED chip
- Multi-reflector system
- Clear glass diffuser (Changeable)
- Constant current LED driver fitted
- 1.2 m flex & 2 pin plug fitted

IP RATING

- IP54 weatherproof front only

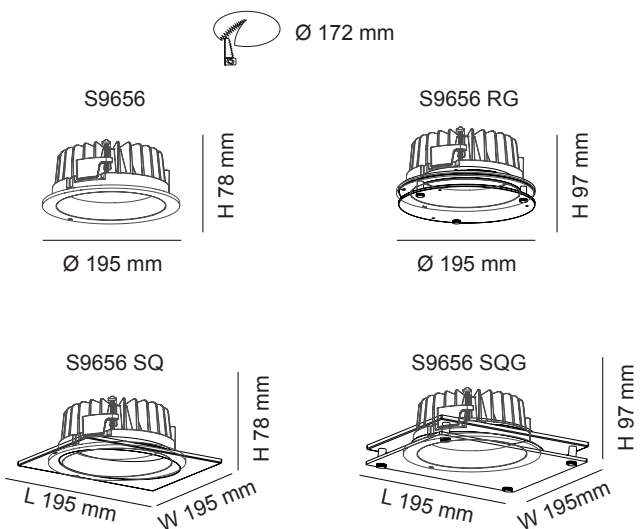
DIMMING OPTIONS

- Trailing edge (S9656 only)
- 1-10V analogue
- DALI / DSI, digital

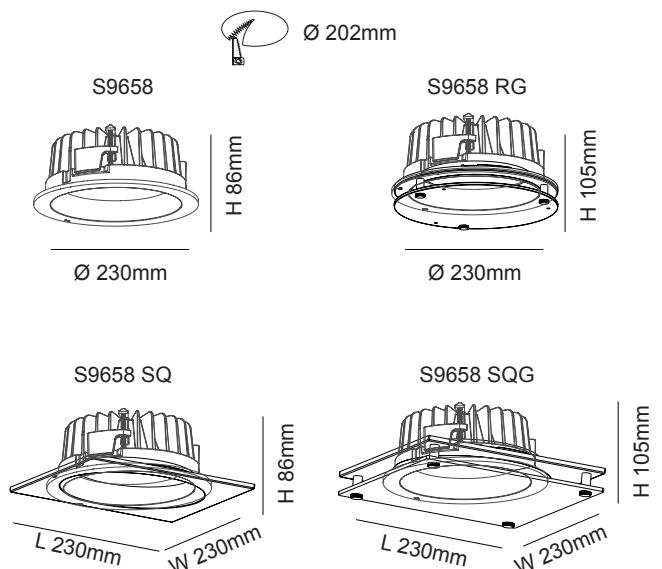
BEAM ANGLE

- 90°

DIMENSIONS (S9656)



DIMENSIONS (S9658)





Model No.	Input	Power	Lumen	CCT	Beam Angle	CRI	Dimmable	Fitting Colour
S9656WW WH	240V	25W	2200lm	3000K	90°	>80	No	White
S9656WW WH SQ	240V	25W	2200lm	3000K	90°	>80	No	White
S9656WW BK	240V	25W	2200lm	3000K	90°	>80	No	Black
S9656WW BK SQ	240V	25W	2200lm	3000K	90°	>80	No	Black
S9656WW WH RG	240V	25W	2200lm	3000K	90°	>80	No	White
S9656WW WH SQG	240V	25W	2200lm	3000K	90°	>80	No	White

Model No.	Input	Power	Lumen	CCT	Beam Angle	CRI	Dimmable	Fitting Colour
S9656CW WH	240V	25W	2300lm	4000K	90°	>80	No	White
S9656CW WH SQ	240V	25W	2300lm	4000K	90°	>80	No	White
S9656CW BK	240V	25W	2300lm	4000K	90°	>80	No	Black
S9656CW BK SQ	240V	25W	2300lm	4000K	90°	>80	No	Black
S9656CW WH RG	240V	25W	2300lm	4000K	90°	>80	No	White
S9656CW WH SQG	240V	25W	2300lm	4000K	90°	>80	No	White

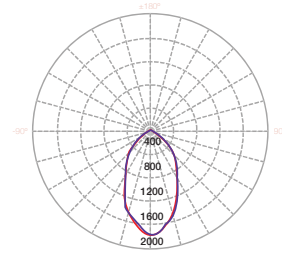
Model No.	Input	Power	Lumen	CCT	Beam Angle	CRI	Dimmable	Fitting Colour
S9658WW WH	240V	50W	4000lm	3000K	90°	>80	No	White
S9658WW WH SQ	240V	50W	4000lm	3000K	90°	>80	No	White
S9658WW BK	240V	50W	4000lm	3000K	90°	>80	No	Black
S9658WW BK SQ	240V	50W	4000lm	3000K	90°	>80	No	Black
S9658WW WH RG	240V	50W	4000lm	3000K	90°	>80	No	White
S9658WW WH SQG	240V	50W	4000lm	3000K	90°	>80	No	White

Model No.	Input	Power	Lumen	CCT	Beam Angle	CRI	Dimmable	Fitting Colour
S9658CW WH	240V	50W	4200lm	4000K	90°	>80	No	White
S9658CW WH SQ	240V	50W	4200lm	4000K	90°	>80	No	White
S9658CW BK	240V	50W	4200lm	4000K	90°	>80	No	Black
S9658CW BK SQ	240V	50W	4200lm	4000K	90°	>80	No	Black
S9658CW WH RG	240V	50W	4200lm	4000K	90°	>80	No	White
S9658CW WH SQG	240V	50W	4200lm	4000K	90°	>80	No	White

PHOTOMETRIC DATA

Unit: cd

S9656 WW C0/C180 ———
C90/C270 ———



S9658 WW C0/C180 ———
C90/C270 ———

