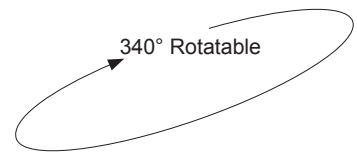
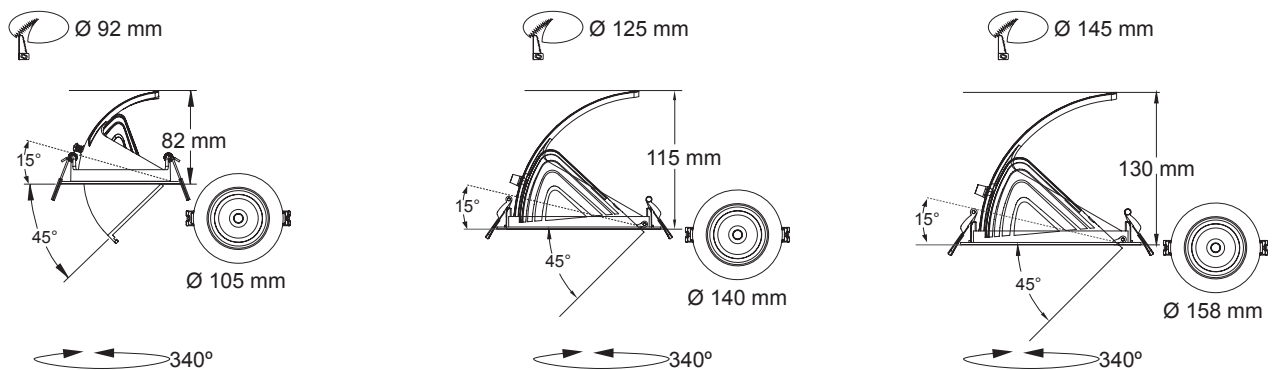


LED SHOP LIGHT

S9525 NEWMAN III



DIMENSIONS



CONSTRUCTION

- Die-cast aluminium body
- Powder coated finish
- A bracket mechanism ensures optimum tilting function 60° (-15° ~ +45°) and rotating 340°
- High output COB LED chip
- Specially designed optical lens
- Changeable multi-reflector system
- Constant current trailing edge dimmable LED driver fitted (S9525/92)
- Constant current non-dimmable LED driver fitted (S9525/125, S9525/145)
- 1.2 m flex & 2 pin plug fitted

IP RATING

- IP20 suitable for interior use only

DIMMING OPTIONS

- Trailing edge (excluding S9525/125)
- 1-10V analogue
- DALI / DSI, digital

BEAM ANGLE

- 40° (standard)
- 24° (option)

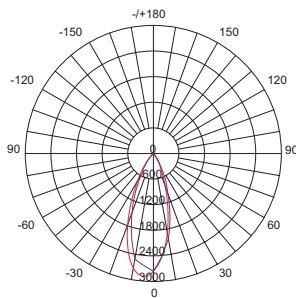


Model No.	Input	Power	Lumen	CCT	Beam Angle	CRI	Dimmable	Fitting Colour
S9525/92WW/WH	240V	15W	1300lm	3000K	40°	>80	Yes*	White
S9525/92CW/WH	240V	15W	1400lm	4000K	40°	>80	Yes*	White
S9525/92DL/WH	240V	15W	1500lm	5700K	40°	>80	Yes*	White
S9525/125WW/WH	240V	25W	1900lm	3000K	40°	>80	No	White
S9525/125CW/WH	240V	25W	2000lm	4000K	40°	>80	No	White
S9525/125DL/WH	240V	25W	2100lm	5700K	40°	>80	No	White
S9525/145WW/WH	240V	35W	2600lm	3000K	40°	>80	No	White
S9525/145CW/WH	240V	35W	2700lm	4000K	40°	>80	No	White
S9525/145DL/WH	240V	35W	2800lm	5700K	40°	>80	No	White

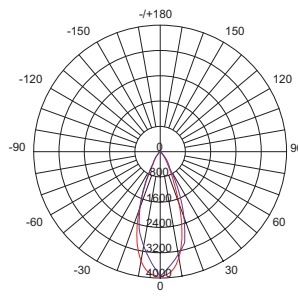
* Trailing edge dimming

PHOTOMETRIC DATA Unit: cd C0/C180 ——— C90/270

S9525/92WW/WH



S9525/125WW/WH



S9525/145WW/WH

