

LED INGROUND LIGHT

S9338 GROUND



CONSTRUCTION

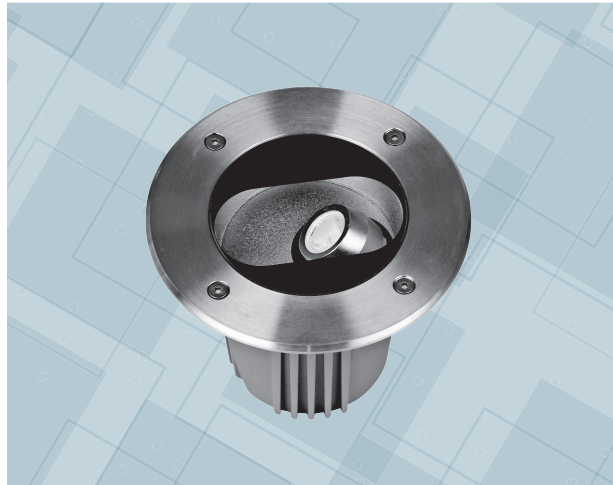
- Die-cast aluminium body
- Stainless steel face panel & screws
- Clear tempered glass diffuser
- High output LED chip
- 24V AC/DC driver required
- Beam angle 30°
- Lighting direction adjustable between 50°~60°
- PC installation canister included
- 600 mm 2 core rubber flex

IP RATING

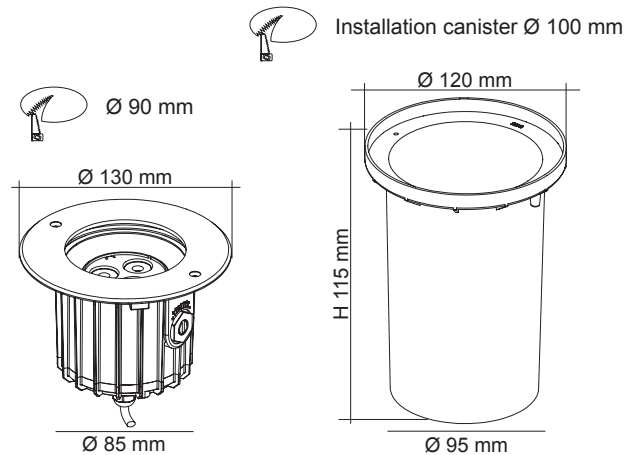
- IP67 weatherproof

SUITABLE LED DRIVERS

- PLUTO 30/24V
- PLUTO 100/24V
- PLUTO 200/24V



DIMENSIONS



Model No.	Input	Power	Lumen	CCT	Beam Angle	CRI	Fitting Colour
S9338/3W/30 WW	24V	3W	150lm	3000K	30°	>70	Stainless Steel
S9338/3W/30 DL	24V	3W	200lm	6000K	30°	>70	Stainless Steel

LIGHTING DIRECTION

