

DIMMABLE LED MODULE

S9053 UNIFIT



CONSTRUCTION

- Die-cast aluminium heat sink
- High output COB LED chip
- Changeable multi-reflector system
- Polycarbonate optical lens
- Constant current trailing edge dimmable LED driver fitted
- 1.2 m flex & 2 pin plug fitted

IP RATING

- IP20 suitable for interior use only

ACCESSORIES

- S9053HC/P Honey comb
- S9053DF/P Centre frost diffuser
- S9053BF/P Buffer

DIMMING OPTIONS

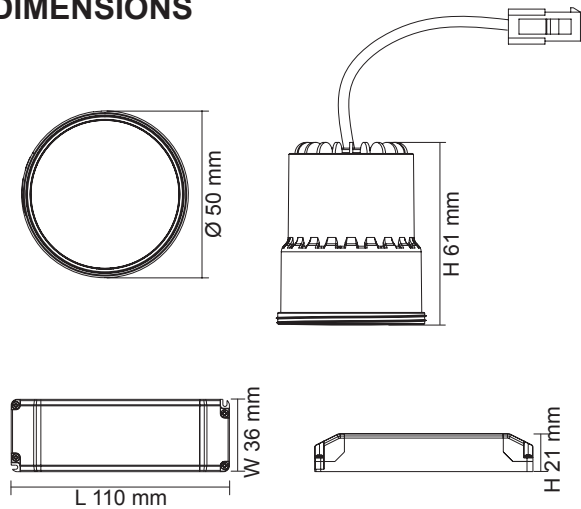
- 1-10V analogue
- DALI / DSI, digital

BEAM ANGLE

- 60° (standard)
- 25° reflector (option)
- 40° reflector (option)



DIMENSIONS

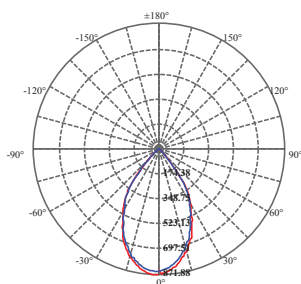


Model No.	Input	Power	Lumen	CCT	Beam Angle	CRI	Dimmable
S9053 WP	240V	9W	700lm	3000K	60°	>80	Yes*
S9053 CP	240V	9W	800lm	4000K	60°	>80	Yes*
S9053 DP	240V	9W	800lm	6000K	60°	>80	Yes*

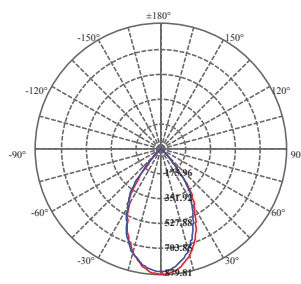
*Trailing edge dimming

PHOTOMETRIC DATA Unit: cd C0/C180 — C90/C270 —

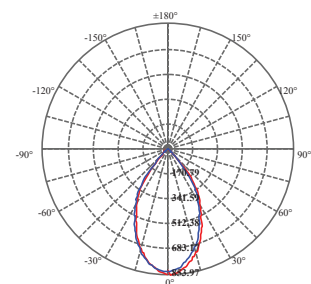
S9053 WP



S9053 CP



S9053 DP



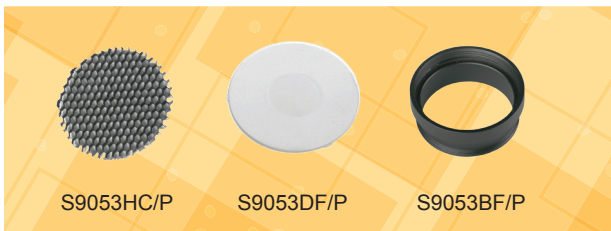
DEDICATED HEADS



SUITABLE STANDARD HEADS



ACCESSORIES



EXPLOSION VIEW

