



ROBO S9085TC - 9W

9 watt dimmable downlight with selectable colour temperature and multi-function termination

Application

Perfect for residential and commercial applications

Design Specifications

- 9 watt integral constant current dimmable driver, with selectable colour temperature
- A very versatile design supplied with flex and plug and the option to hard wire the unit via quick access 3.5mm terminal block
- CRI > 80, CCT selectable control 3000K, 4000K, 5700K, beam distribution 100 degree
- Trim colour white, optional satin deco ring S9065SN/RING, S9065BK/RING
- High efficiency SMD LED chips, polycarbonate diffuser and head assembly, metal trim
- IC - 4 rated, double insulation



Performance

Dimmable - **YES**

Dimmer Type - **Trailing edge**

Technical Specification

Model No.	Input Voltage (V/AC)	Power (W)	Lumens (lm)	CCT (K)	Beam Angle (°)	Dimmable
S9085TC/WH	240	9	750/900/850	3000/4000/5700	100	YES

Technical Specification

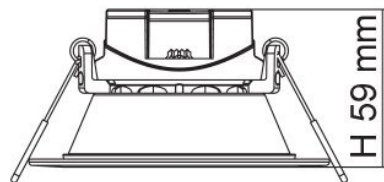
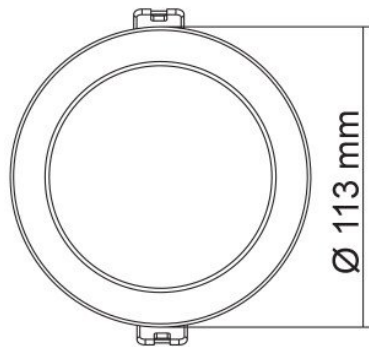
Model No.	Cut Out (mm)	Diameter (mm)	Dim (mm)
S9085TC/WH	92	113	59(H)

Due to continued product and technology enhancements, data sourced from sal.net.au shall not form part of any contract and or technical performance guarantee unless expressly confirmed in writing by SAL at the time of order. Products are sold in accordance with [SAL Terms and Conditions of sale](#) and all images shown are for illustration purposes only and may vary from the actual colour or finish. Unless specifically stated, all IP ratings nominated for Interior products are from "below the ceiling".

Dimensions



Dimensions

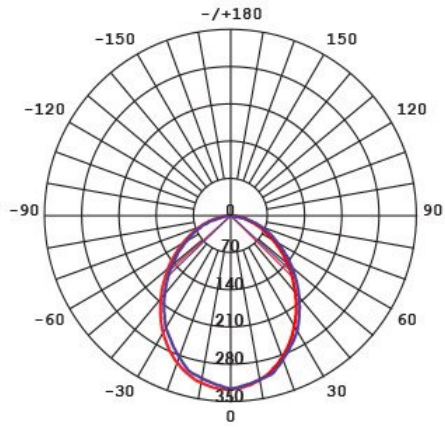




Photometric Data

Unit: cd C0/C180 _____ C90/C270 _____

S9085TC at 3000K



Product Images

