



## QUICK CONNECT KIT FLC10CS

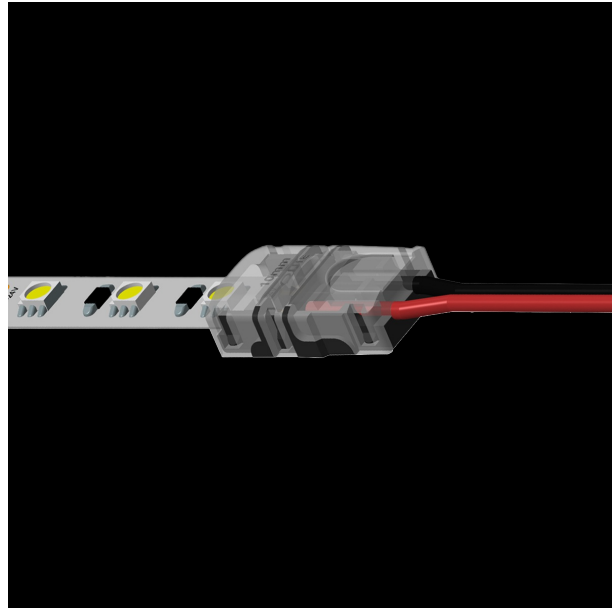
LED strip quick connect kit

### Application

An creative solution for residential and commercial interior spaces

### Design Specifications

- Twin 400 mm fly lead to connect 10 mm strip (pack of 10)
- Suits FL1206, FL1209/S, FL2406/SS10,FL2412/SS10, FLL2412/SS10R9, FLH24/20



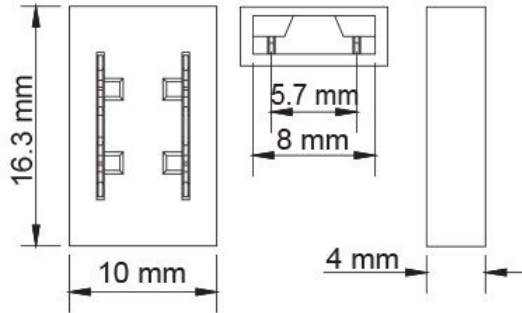
### Technical Specification

**Model No.**

**FLC10CS**

Due to continued product and technology enhancements, data sourced from sal.net.au shall not form part of any contract and or technical performance guarantee unless expressly confirmed in writing by SAL at the time of order. Products are sold in accordance with [SAL Terms and Conditions of sale](#) and all images shown are for illustration purposes only and may vary from the actual colour or finish. Unless specifically stated, all IP ratings nominated for Interior products are from "below the ceiling".

## Dimensions



**FLC08/2**