



PUNNET S9651 - 7/50W

IP44 LED square profile downlight

Application

Ideal for any residential or commercial interior space

Design Specifications

- Square bezel combined with round body to suit a round cut out
- Deep recessed angle fitting enables precise optical control
- Durable die-cast aluminium body profile, with a stylish matt white trim finish
- CCT 4000K standard, optional 3000K and 5000K
- High efficiency SMD LED chips and prismatic diffuser
- Constant current non-dimmable LED driver, with flex and plug



Technical Specification

Model No.	Input Voltage (V/AC)	Power (W)	Lumens (lm)	CCT (K)	Beam Angle (°)	Dimmable
S9651/70CW/WH7W	240	7	800	4000	80	YES
S9651/70CW/WH10W	240	10	1000	4000	80	YES
S9651/125CW/WH20W	240	20	2000	4000	80	OPTIONAL
S9651/125CW/WH30W	240	30	2800	4000	80	OPTIONAL
S9651/175CW/WH35W	240	35	3500	4000	80	OPTIONAL
S9651/175CW/WH50W	240	50	4800	4000	80	OPTIONAL

Technical Specification

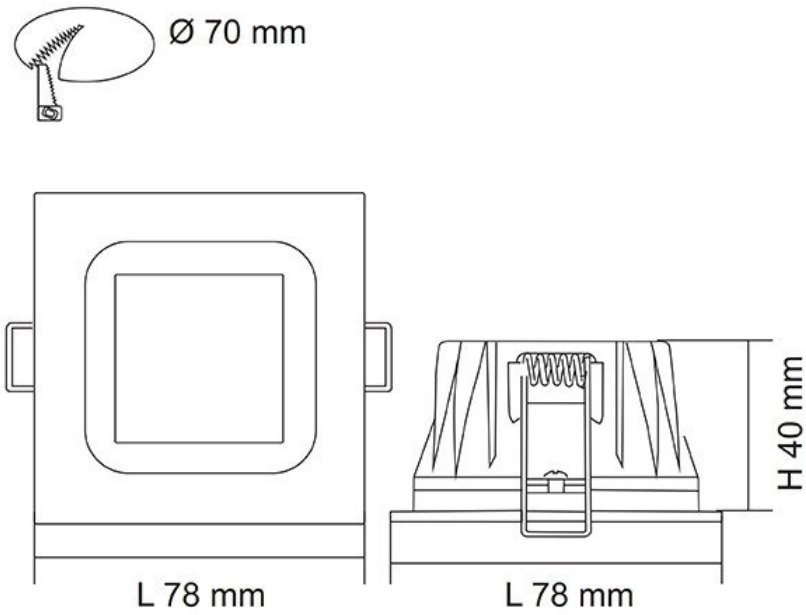
Model No.	CRI	Body Colour	Cut Out (mm)	Dim (mm)
S9651/70CW/WH7W	80	matt white	70	78(L) x 78(W) x 40(H)
S9651/70CW/WH10W	80	matt white	70	70(L) x 70(W) x 40(H)
S9651/125CW/WH20W	80	matt white	125	135(L) x 135(W) x 70(H)
S9651/125CW/WH30W	80	matt white	125	135(L) x 135(W) x 70(H)
S9651/175CW/WH35W	80	matt white	175	188(L) x 188(W) x 100(H)
S9651/175CW/WH50W	80	matt white	175	188(L) x 188(W) x 100(H)

Dimming options: 1-10V analogue, DALI, DSI, trailing edge excluding S9651/175W/WH50W

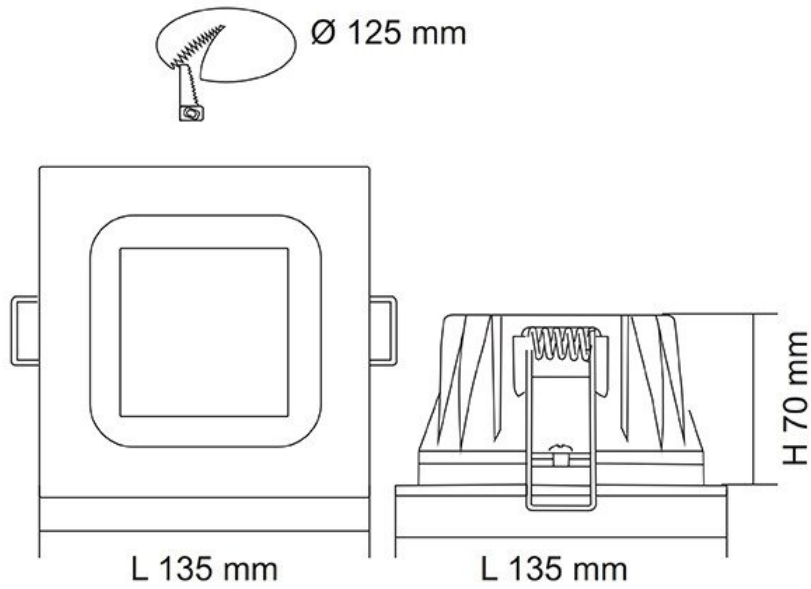
Due to continued product and technology enhancements, data sourced from sal.net.au shall not form part of any contract and or technical performance guarantee unless expressly confirmed in writing by SAL at the time of order. Products are sold in accordance with [SAL Terms and Conditions of sale](#) and all images shown are for illustration purposes only and may vary from the actual colour or finish. Unless specifically stated, all IP ratings nominated for Interior products are from "below the ceiling".

Dimensions

S9651 70



S9651 125



S9651 175

