



PREMIER S9076TC - 40W

IP64 40W LED downlight with selectable colour

Application

Ideal for any commercial interior space

Design Specifications

- Premium aluminium body profile
- Stylish white powder coat finish
- Quality opal acrylic diffuser
- High efficiency SMD LED chips
- Constant current non-dimmable LED driver
- Dimming options: unavailable



Technical Specification

Model No.	Description	Input Voltage (V/AC)	Power (W)	Lumens (lm)	CCT (K)	Beam Angle (°)
S9076TC WH	LED D/L 40W IP64 3/4/6K WH	240	40	3600/3900/3900	3000/4000/5700	90

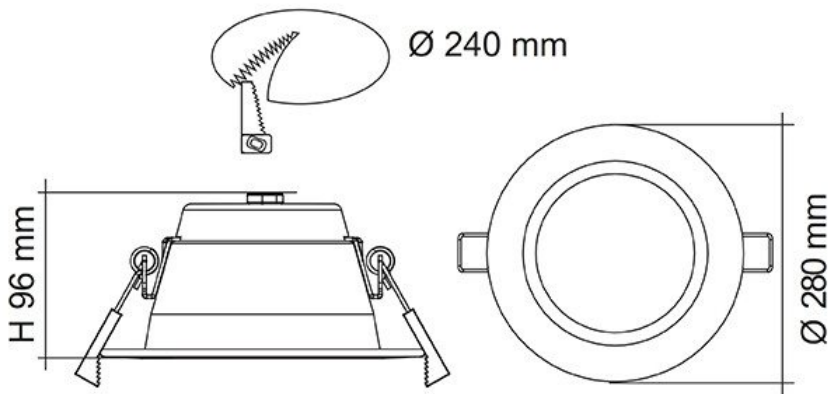
Technical Specification

Model No.	CRI	Body Colour	Dim (mm)
S9076TC WH	80	WHITE	96(H)

Due to continued product and technology enhancements, data sourced from sal.net.au shall not form part of any contract and or technical performance guarantee unless expressly confirmed in writing by SAL at the time of order. Products are sold in accordance with [SAL Terms and Conditions of sale](#) and all images shown are for illustration purposes only and may vary from the actual colour or finish. Unless specifically stated, all IP ratings nominated for Interior products are from "below the ceiling".

Dimensions

S9076TC





Photometric Data

Photometric Data

Unit: cd C0/C180 _____ C90/C270 _____

S9076TC at 4000K

