



## PREMIER S9076TC DP/HP - 40W

Non-dimmable IP64, 40W LED downlight with selectable colour temperature and power

### Application

Ideal for any commercial interior space

### Design Specifications

- Premium aluminium body profile, CA90 rated
- Stylish white powder coat finish
- Quality opal polycarbonate diffuser
- High efficiency SMD LED chips
- Constant current remote non-dimmable LED driver, with flex and plug

### Performance

Dimmable - **OPTIONAL**

Dimmer Type - **Dual power, 1-10V, DALI / DSI - Half power, trailing edge, 1-10V, DALI / DSI**



### Technical Specification

Model No.	Description	Input Voltage (V/AC)	Power (W)	Multiple Wattage	Lumens (lm)	CCT (K)
S9076TC/WH HP	LED D/L 18W IP64 3/4/5.7K WH HP	240	18		2100/2300/2200	3000/4000/5700
S9076TC/WH DP	LED D/L 30/40W IP64 3/4/6K WH DP	240		30/40	3500/4200/3800	3000/4000/5700

### Technical Specification

Model No.	Beam Angle (°)	Dimmable	CRI	Body Colour	Dim (mm)
S9076TC/WH HP	90	OPTIONAL	80	White	280(W) x 96(H)
S9076TC/WH DP	90	OPTIONAL	80	White	280(W) x 96(H)

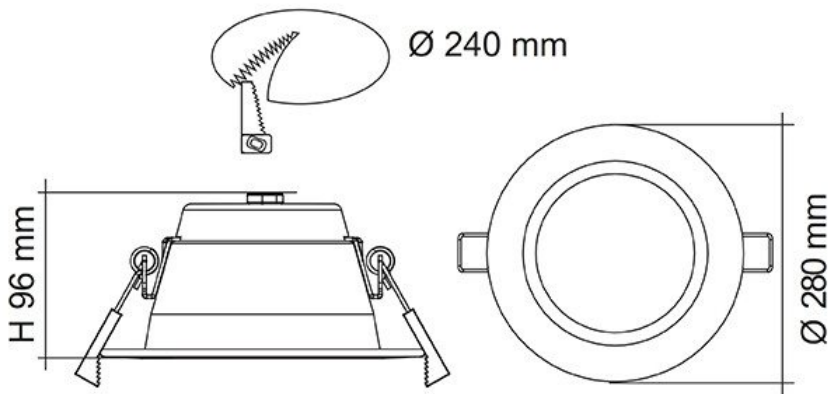
Note: Lumens (lm) shown are displayed at maximum power rating

Due to continued product and technology enhancements, data sourced from sal.net.au shall not form part of any contract and or technical performance guarantee unless expressly confirmed in writing by SAL at the time of order. Products are sold in accordance with [SAL Terms and Conditions of sale](#) and all images shown are for illustration purposes only and may vary from the actual colour or finish. Unless specifically stated, all IP ratings nominated for Interior products are from "below the ceiling".



## Dimensions

S9076TC





## Photometric Data

# Photometric Data

Unit: cd C0/C180 \_\_\_\_\_ C90/C270 \_\_\_\_\_

### S9076TC/WH/DP at 4000K

