



PREMIER S9075TC - 30W

IP64 30w LED downlight with selectable colour

Application

Ideal for any commercial interior space

Design Specifications

- Premium aluminium body profile
- Stylish white powder coat finish
- Quality opal acrylic diffuser
- High efficiency SMD LED chips
- Constant current non-dimmable LED driver, with flex and plug
- Dimming options: Trailing, 1-10V analogue, DALI, DSI



Technical Specification

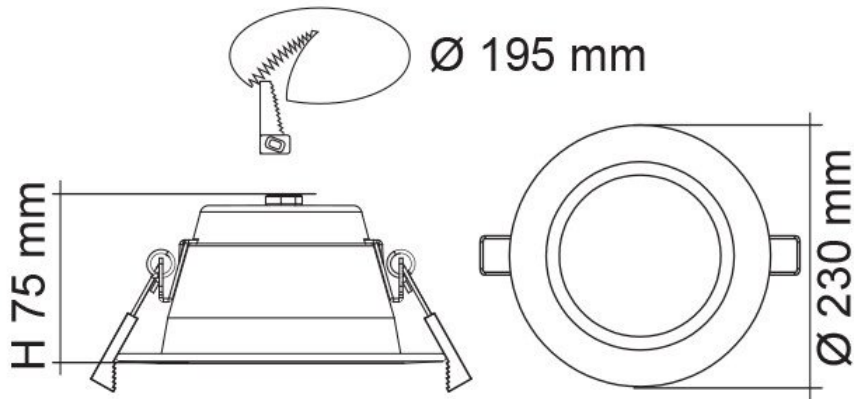
Model No.	Description	Input Voltage (V/AC)	Power (W)	Lumens (lm)	CCT (K)	Beam Angle (°)
S9075TC WH	LED D/L 30W IP64 3/4/6K WH	240	30	2600/2800/2800	3000/4000/5700	90

Technical Specification

Model No.	CRI	Body Colour	Dim (mm)
S9075TC WH	80	WHITE	75(H)

Due to continued product and technology enhancements, data sourced from sal.net.au shall not form part of any contract and or technical performance guarantee unless expressly confirmed in writing by SAL at the time of order. Products are sold in accordance with [SAL Terms and Conditions of sale](#) and all images shown are for illustration purposes only and may vary from the actual colour or finish. Unless specifically stated, all IP ratings nominated for Interior products are from "below the ceiling".

Dimensions



Photometric Data

Photometric Data

Unit: cd C0/C180 _____ C90/C270 _____

S9075TC 4000K

