



PLUTO DIM 700MA

Australian approved dimmable constant current LED driver

Application

The perfect choice for constant current electronic lighting circuits

Design Specifications

- SELV and EMC compliant
- Safe no load operation
- Overload and short circuit protection
- Dimmable with trailing edge dimmer, Dimming range 10%~100%
- Recommended SAL trailing edge dimmers SDD350UM, SDD400U, SDA450U, SDD350BT



Performance

Dimmable - **YES**

Dimmer Type - **TRAILING EDGE**

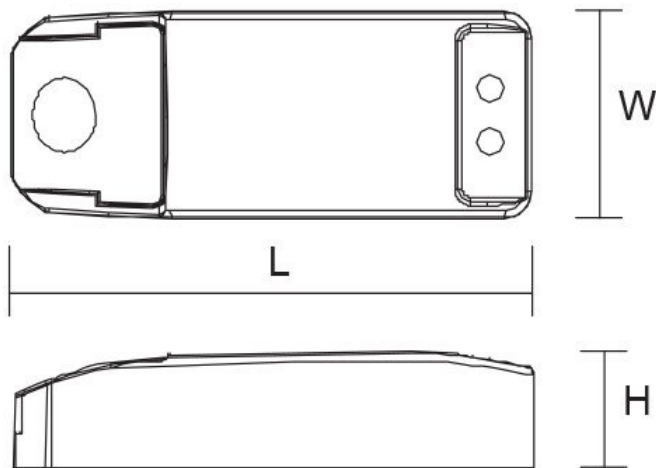
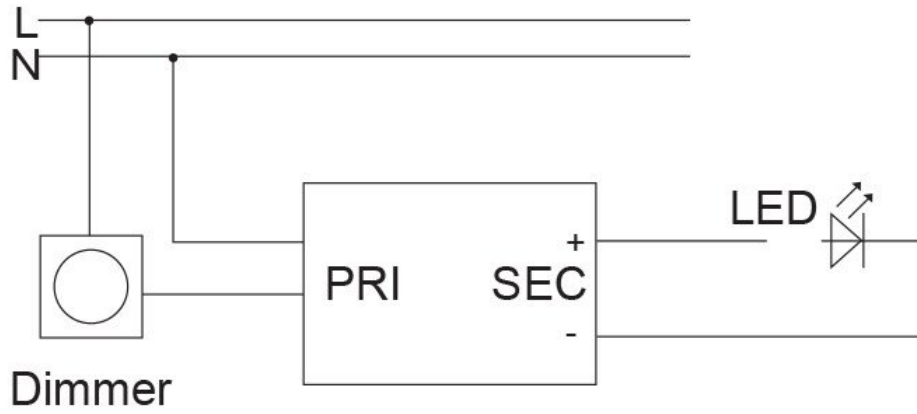
Technical Specification

Model No.	Input Voltage (V/AC)	Output Voltage (V/DC)	Power (W)	Output Current (mA)	Power Factor	Dim (mm)
DIM700mA/18W	240	15-29	18	700	0.9	121(L) x 45(W) x 20(H)
DIM700mA/30W	240	25.5-43	30	700	0.9	140(L) x 45(W) x 28(H)
DIM700mA/36W	240	30-55	36	700	0.9	150(L) x 40(W) x 30(H)

Due to continued product and technology enhancements, data sourced from sal.net.au shall not form part of any contract and or technical performance guarantee unless expressly confirmed in writing by SAL at the time of order. Products are sold in accordance with [SAL Terms and Conditions of sale](#) and all images shown are for illustration purposes only and may vary from the actual colour or finish. Unless specifically stated, all IP ratings nominated for Interior products are from "below the ceiling".

Dimensions

Wiring Diagram





Product Images

