



PIXIE PORTABLE SMART PLUG ESS105/BT

SMART HOME - Australian approved portable three pin 240V / 6A plug, USB port

Application

Portable surface plug, with PIXIE Bluetooth connectivity, ideal for the office or home

Design Specifications

- Australian approved three pin portable 240V, 6A plug, compliant to AS/NZS 3105:2014, AS/NZS 60950.1:2015
- Integral USB port, 5V DC, 1.5A
- Bluetooth mesh technology, control your device with full functions of PIXIE or PIXIE Plus
- Durable polycarbonate construction, colour white, compact low profile design
- Plug output and USB port can be controlled separately
- Programmable schedules for the plug output and USB port with PIXIE or PIXIE PLUS

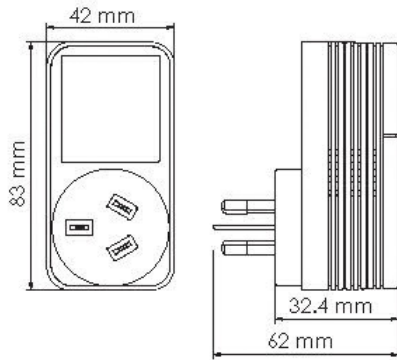


Technical Specification

Model No.	Description	Input (V)	Power (W)	Dimensions (mm)
ESS105/BT	PIXIE PORTABLE SMART PLUG 240V / USB PORT	240	1500	83(L) x 33(W) x 23(H)

Due to continued product and technology enhancements, data sourced from sal.net.au shall not form part of any contract and or technical performance guarantee unless expressly confirmed in writing by SAL at the time of order. Products are sold in accordance with SAL Terms and Conditions of sale and all images shown are for illustration purposes only and may vary from the actual colour or finish.

Dimensions



Product Images

PIXIE PLUS app control functions include: set a timer, no need for cumbersome portable wall mount devices, **schedule timer** allows you to dim or switch devices on or off with brightness control and memory, **group function** allows you to group dimmers or switches, **scene function** allows you to set a scene and create an exciting ambience, **sync** PIXIE RGB LED strip to your favourite music.

- Device**
Manage devices, individual control
- Group**
Simultaneous control a group of up to 32 x PIXIE devices
- Schedule**
Schedule your lights
- Scene**
Create preset lighting scenes
- Timer**
Countdown turn-off timer
- Sync**
PIXIE RGB LED strip to music

The PIXIE PLUS app is smart enough to control multiple HOME locations, work or play!

PIXIE PLUS is compatible with popular voice control devices.

works with the Google Assistant. **And Amazon Alexa**