

ELECTRONIC TRANSFORMER

MINI60

- Independent compact design
- Captured terminal screws
- High power factor
- Safe no load operation
- Overload protection
- Short circuit protection
- Overheating protection
- SELV and EMC compliant
- Dimmable with trailing edge dimmer
- Dimming range 10%~100%

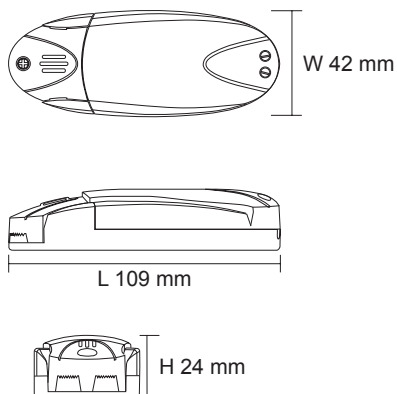
IP RATING

- IP20 suitable for interior use only

RECOMMENDED DIMMERS

- SDA450
- SDD350TCM and SDD350TCS
- SDD350BT

DIMENSIONS



Model No.	Input	Power	Output	Power Factor	1.2 m Flex & PlugFitted
MINI60	240V	20-60W	11.5V	0.99	No
MINI/P60	240V	20-60W	11.5V	0.99	Yes

**OVER
10 MILLION
SOLD**