



MANSFIELD S9530 - 12W/20W/35W

Square and Rectangular profile AR111 recessed downlights

Application

Ideal for any residential or commercial interior space

Design Specifications

- Precise pressed metal recessed mount profile
- Stylish powder coat finish
- LED AR111 lamp module(s) & driver(s) included, dimming options 1-10v and DALI/DSI available
- Flex and plug fitted, remote driver included
- Changeable multi-faceted reflector system
- Precision designed optics, standard beam distribution refer model no. Optional 20 and 60 degree available for AR111/3500, 3000K, CRI >80

Performance

Dimmer Type - **Trailing edge, 1-10V, DALI / DSI**
(excluding S9530/3500)



-
-
-
-
-
-
-
-

Technical Specification

Model No.	Input Voltage (V/AC)	Power (W)	Lumens (lm)	CCT (K)	Beam Angle (°)	Dimmable
S9530/700 WH	240	12	750	3000	24	YES
S9530/700 SL	240	12	750	3000	24	YES
S9530/1700 WH	240	20	1600	3000	24	YES
S9530/1700 SL	240	20	1600	3000	24	YES
S9530/3500WH	240	35	3300	3000	40	OPTIONAL
S9530/3500SL	240	35	3300	3000	40	OPTIONAL
S9530/2x700 WH	240	24	1500	3000	24	YES
S9530/2x700 SL	240	24	1500	3000	24	YES
S9530/2x1700 WH	240	40	3200	3000	24	YES
S9530/2x1700 SL	240	40	3200	3000	24	OPTIONAL
S9530/2x3500WH	240	70	6600	3000	40	OPTIONAL
S9530/2x3500SL	240	70	6600	3000	40	OPTIONAL



Technical Specification

Model No.	CRI	Body Colour
S9530/700 WH	80	White
S9530/700 SL	80	Silver
S9530/1700 WH	80	White
S9530/1700 SL	80	Silver
S9530/3500WH	80	White
S9530/3500SL	80	Silver
S9530/2x700 WH	80	White
S9530/2x700 SL	80	Silver
S9530/2x1700 WH	80	White
S9530/2x1700 SL	80	Silver
S9530/2x3500WH	80	White
S9530/2x3500SL	80	Silver

Note: Lumens (lm) and Power (watts) shown are TOTAL system performance

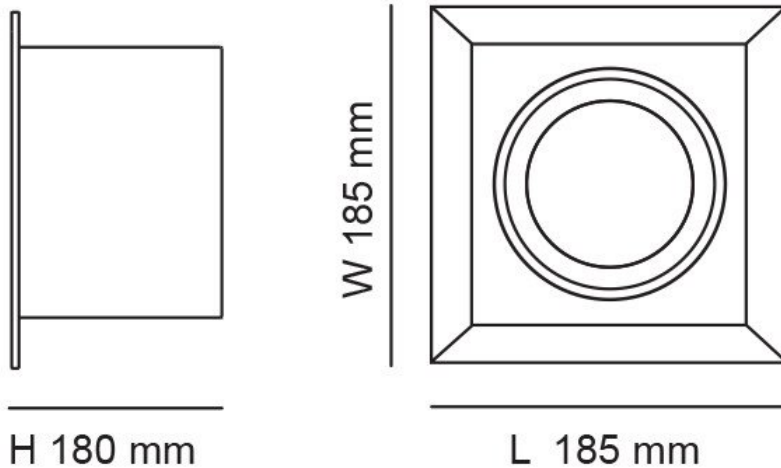
Due to continued product and technology enhancements, data sourced from sal.net.au shall not form part of any contract and or technical performance guarantee unless expressly confirmed in writing by SAL at the time of order. Products are sold in accordance with [SAL Terms and Conditions of sale](#) and all images shown are for illustration purposes only and may vary from the actual colour or finish. Unless specifically stated, all IP ratings nominated for Interior products are from "below the ceiling".

Dimensions



Dimensions

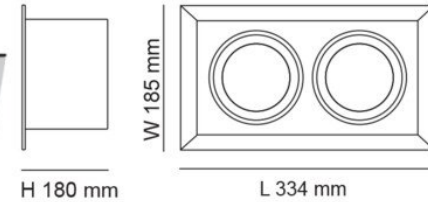
 L x W: 170 x 170 mm





Dimensions

L x W: 310 x 170 mm



AR111/700



AR111/1700

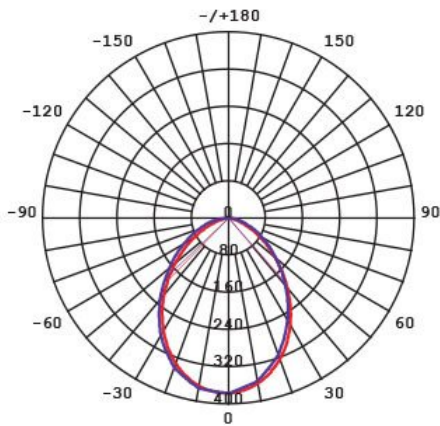


AR111/3500

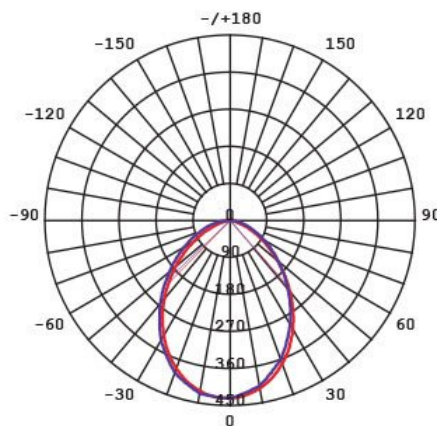
Photometric Data

Unit: cd C0/C180 _____ C90/C270 _____

S9530/700 at 3000K



S9530/3500 at 3000K





Product Images

