

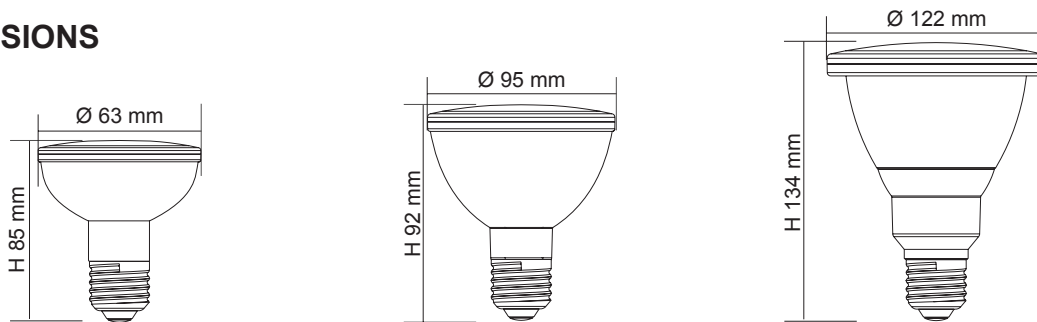
LED DIRECTIONAL PAR LAMP

LPAR20, LPAR30, LPAR38


IP65



DIMENSIONS



CONSTRUCTION

- Opal polycarbonate diffuser
- Poly covered aluminium body
- High efficiency SMD LED chips
- Built-in non-dimmable LED driver
- Double insulation 

FEATURES

- 1:1 size to traditional PAR lamp
- Suits most PAR lamp fittings

COLOUR TEMPERATURE




- 3000K Warm White
- 6000K Daylight

LAMP BASE

- E27

IP RATING

- IP65 weatherproof

Model No.	Input	Power	Lumen	CCT	Beam Angle	CRI	Dimmable	Lamp Base	Approximately equivalent to incandescent
LPAR20WW	240V	7W	600lm	3000K	100°	>80	No	E27	
LPAR20DL	240V	7W	600lm	6000K	100°	>80	No	E27	
LPAR30WW	240V	9W	800lm	3000K	100°	>80	No	E27	
LPAR30DL	240V	9W	800lm	6000K	100°	>80	No	E27	
LPAR38WW	240V	12W	1050lm	3000K	100°	>80	No	E27	
LPAR38DL	240V	12W	1050lm	6000K	100°	>80	No	E27	