



LED AR111 - 12W

AR111 LED directional lamp, dimmable

Application

Energy efficient LED lamp solutions

Design Specifications

- Die-cast aluminium body, G53 base
- High output COB LED chip, 3000K
- Specially designed optical lens
- 12V AC or DC dimmable driver required (SAL MINI60)
- Standard beam angle 24°, optional 40°
- Compatible with most electronic transformers, suits most halogen AR111 lamp fittings, double insulation.

Performance

Dimmable - **YES**

Dimmer Type - **Trailing edge**



Technical Specification

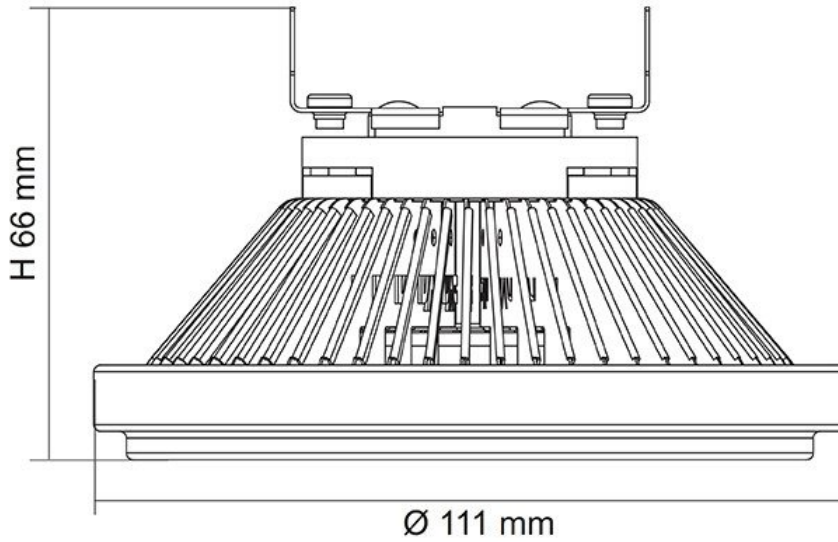
Model No.	Input Voltage (V/AC)	Input Voltage (V/DC)	Power (W)	Lumens (lm)	CCT (K)	CRI
AR111/700WW LED	12	12	12	750	3000	80

Technical Specification

Model No.	Beam Angle (°)	Dimmable	Diameter (mm)	Base Type
AR111/700WW LED	24	YES	111	G53

Due to continued product and technology enhancements, data sourced from sal.net.au shall not form part of any contract and or technical performance guarantee unless expressly confirmed in writing by SAL at the time of order. Products are sold in accordance with [SAL Terms and Conditions of sale](#) and all images shown are for illustration purposes only and may vary from the actual colour or finish. Unless specifically stated, all IP ratings nominated for Interior products are from "below the ceiling".

Dimensions





Photometric Data

Unit: cd C0/C180 — C30/C210 —
cd C60/C240 — C90/C270 —

AR111/700WW LED at 3000K

