



## ECOSTAR S9048 - 12W

Dimmable 12 watt LED downlight

### Application

Ideal for any residential or commercial interior space

### Design Specifications

- Durable die-cast aluminium body profile
- Stylish powder coat or plated finish
- High output COB LED chip
- Multi-faceted system, standard beam distribution 55 degree
- Constant current trailing edge dimmable LED driver with flex and plug
- IC - 4 classification

### Performance

Dimmable - **YES**

Dimmer Type - **Trailing edge, optional 1-10V, DALI / DSI**



### Technical Specification

Model No.	Input Voltage (V/AC)	Power (W)	Lumens (lm)	CCT (K)	Beam Angle (°)	Dimmable
S9048 WW WH	240	12	750	3000	55	YES
S9048 DL WH	240	12	800	5000	55	YES
S9048 WW SN	240	12	750	3000	55	YES
S9048 DL SN	240	12	800	5000	55	YES

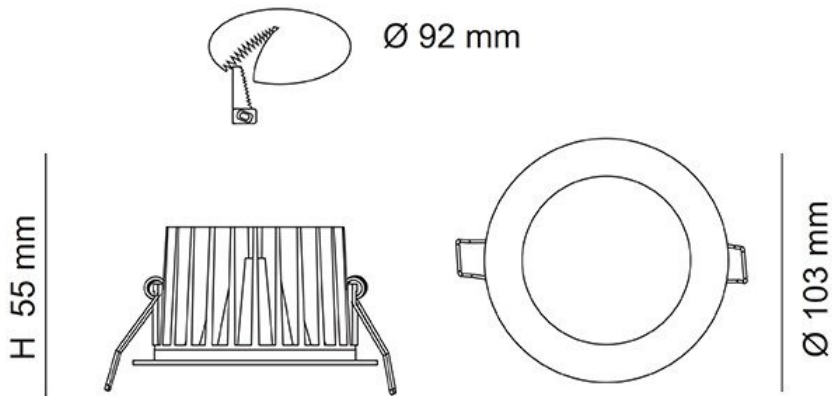
### Technical Specification

Model No.	CRI	Body Colour	Cut Out (mm)	Diameter (mm)	Dim (mm)
S9048 WW WH	80	WHITE	92	103	55(H)
S9048 DL WH	80	WHITE	92	103	55(H)
S9048 WW SN	80	SATIN NICKEL	92	103	55(H)
S9048 DL SN	80	SATIN NICKEL	92	103	55(H)

Due to continued product and technology enhancements, data sourced from sal.net.au shall not form part of any contract and or technical performance guarantee unless expressly confirmed in writing by SAL at the time of order. Products are sold in accordance with [SAL Terms and Conditions of sale](#) and all images shown are for illustration purposes only and may vary from the actual colour or finish. Unless specifically stated, all IP ratings nominated for Interior products are from "below the ceiling".

## Dimensions

S9048





## Photometric Data

Unit: cd C0/C180 \_\_\_\_\_ C90/C270 \_\_\_\_\_

### S9048 WW at 3000K

