



## ECOSTAR II FIXED S9145TC - 10W

Dimmable fixed 10 watt LED downlight, with selectable colour temperature

### Application

Ideal for any residential or commercial interior space

### Design Specifications

- Durable die-cast aluminium body profile
- Stylish white powder coat finish
- High output COB LED chip
- Changeable multi-faceted reflector system, 60 degree standard, optional 25 and 40 degree, optional CRI>90 warm white only, optional 15 watt warm white only
- Polycarbonate optical lens
- Remote constant current trailing edge dimmable LED driver, with flex and plug

### Performance

Dimmable - **YES**

Dimmer Type - **Trailing edge, optional 1-10V, DALI / DSI**



### Technical Specification

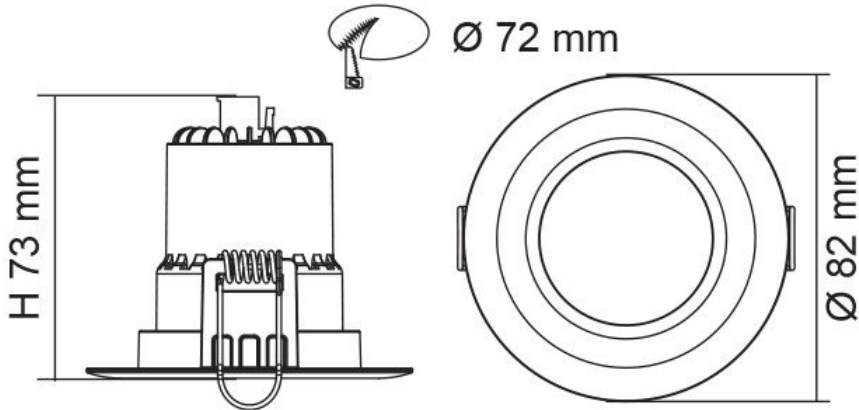
Model No.	Input Voltage (V/AC)	Power (W)	Lumens (lm)	CCT (K)	Beam Angle (°)	Dimmable
S9145TC	240	10	750/900/850	3000/4000/6000	60	YES

### Technical Specification

Model No.	CRI	Body Colour	Cut Out (mm)	Diameter (mm)	Dim (mm)
S9145TC	80	WHITE	72	82	73(H)

Due to continued product and technology enhancements, data sourced from sal.net.au shall not form part of any contract and or technical performance guarantee unless expressly confirmed in writing by SAL at the time of order. Products are sold in accordance with [SAL Terms and Conditions of sale](#) and all images shown are for illustration purposes only and may vary from the actual colour or finish. Unless specifically stated, all IP ratings nominated for Interior products are from "below the ceiling".

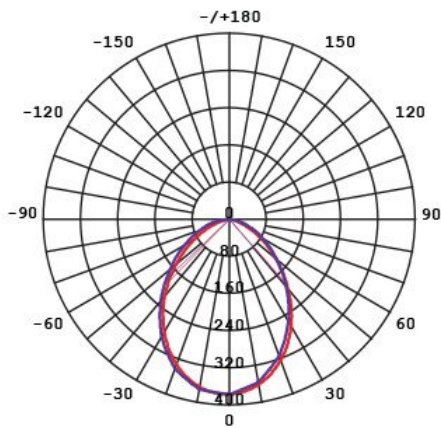
## Dimensions



## Photometric Data

Unit: cd C0/C180 \_\_\_\_\_ C90/C270 \_\_\_\_\_

**S9145TC at 3000K**



**S9145TC at 4000K**

