



ECOSTAR II FIXED S9145 - 9W

Dimmable fixed 9 watt LED downlight

Application

Ideal for any residential or commercial interior space

Design Specifications

- Durable die-cast aluminium body profile
- Stylish white powder coat finish
- High output COB LED chip
- Changeable multi-faceted reflector system, 60 degree standard, optional 25 and 40 degree
- Polycarbonate optical lens
- Remote constant current trailing edge dimmable LED driver, with flex and plug

Performance

Dimmable - **YES**

Dimmer Type - **Trailing edge, optional 1-10V, DALI / DSI**



Technical Specification

Model No.	Input Voltage (V/AC)	Power (W)	Lumens (lm)	CCT (K)	Beam Angle (°)	Dimmable
S9145WW/WH	240	9	700	3000	60	YES
S9145CW/WH	240	9	800	4000	60	YES
S9145DL/WH	240	9	800	6000	60	YES

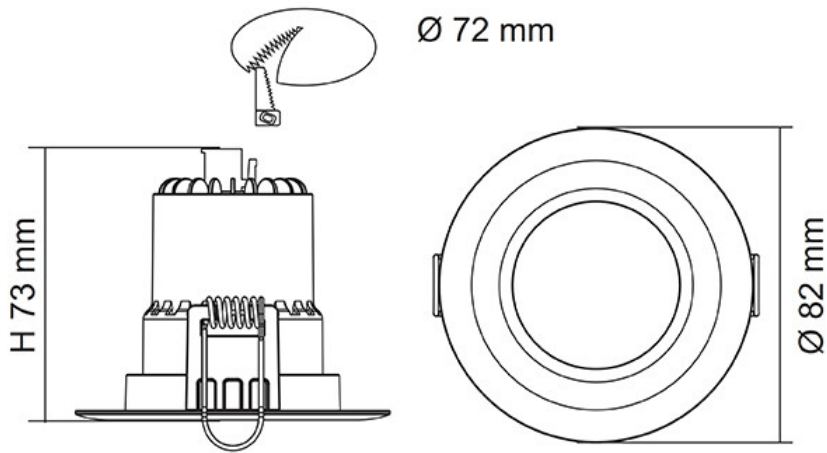
Technical Specification

Model No.	CRI	Body Colour	Cut Out (mm)	Diameter (mm)	Dim (mm)
S9145WW/WH	80	WHITE	72	82	73(H)
S9145CW/WH	80	WHITE	72	82	73(H)
S9145DL/WH	80	WHITE	72	82	73(H)

Due to continued product and technology enhancements, data sourced from sal.net.au shall not form part of any contract and or technical performance guarantee unless expressly confirmed in writing by SAL at the time of order. Products are sold in accordance with [SAL Terms and Conditions of sale](#) and all images shown are for illustration purposes only and may vary from the actual colour or finish. Unless specifically stated, all IP ratings nominated for Interior products are from "below the ceiling".

Dimensions

S9145

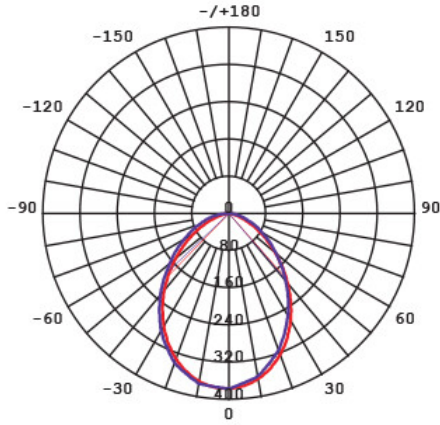




Photometric Data

Unit: cd C0/C180 _____ C90/C270 _____

S9145WW at 3000K



S9145CW at 4000K

