



DICE S9015 - 9/15W

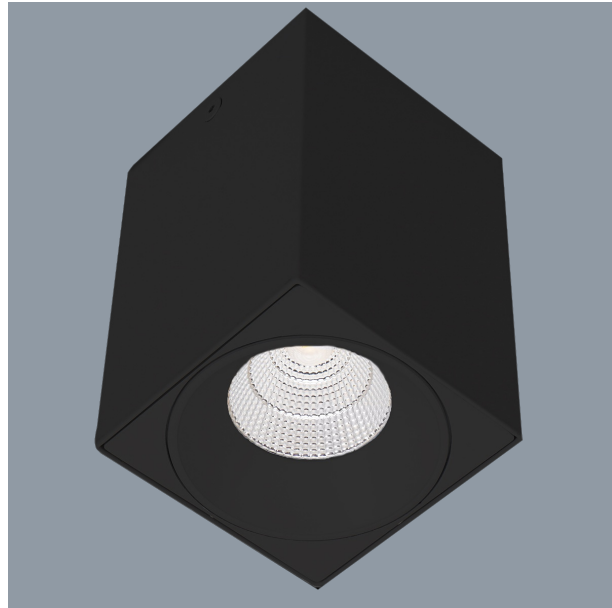
Surface mount square dimmable LED downlight

Application

Ideal for any residential or commercial interior spaces

Design Specifications

- Aluminium body profile, concealed mounting screws and matt Black powder coat finish, optional White to order
- Surface mounted architectural square profile downlight
- Durable die-cast aluminium body profile
- High output COB LED chip, integral constant current trailing edge dimmable LED driver (excluding S9015/80GU10)
- Changeable multi-faceted reflector system with polycarbonate lens



Performance

Dimmable - YES

Dimmer Type - Trailing edge

Technical Specification

Model No.	Input Voltage (V/AC)	Power (W)	Lumens (lm)	CCT (K)	Beam Angle (°)	CRI
S9015/80WW/BK	240	9	700	3000	60	80
S9015/80CW/BK	240	9	800	4000	60	80
S9015/80DL/BK	240	9	800	6000	60	80
S9015/80GU10/BK	240					
S9015/150WW/BK	240	15	1500	3000	60	80
S9015/150CW/BK	240	15	1500	4000	60	80
S9015/150DL/BK	240	15	1500	6000	60	80

Technical Specification

Model No.	Body Colour	Dim (mm)
S9015/80WW/BK	BLACK	80(L) x 122(H)
S9015/80CW/BK	BLACK	80(L) x 122(H)
S9015/80DL/BK	BLACK	80(L) x 122(H)
S9015/80GU10/BK	BLACK	80(L) x 122(H)
S9015/150WW/BK	BLACK	150(L) x 247(H)
S9015/150CW/BK	BLACK	150(L) x 247(H)
S9015/150DL/BK	BLACK	150(L) x 247(H)



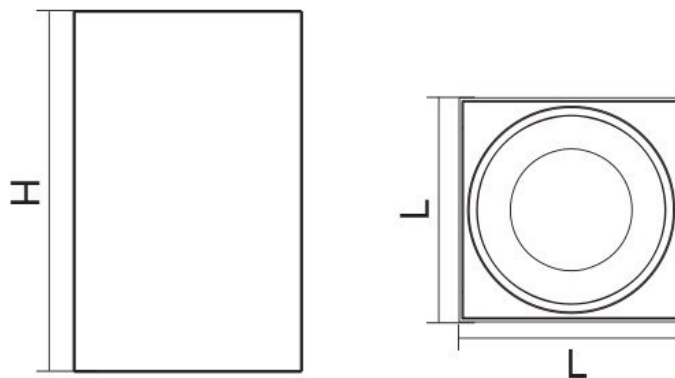
BEAM ANGLE - 60° optical reflector (standard) - 25° optical reflector (option) - 40° optical reflector (option) LAMP OPTIONS
(S9015/80GU10), -- GU10L350 (lamp not included)--GU10L550 (lamp not included)

Due to continued product and technology enhancements, data sourced from sal.net.au shall not form part of any contract and or technical performance guarantee unless expressly confirmed in writing by SAL at the time of order. Products are sold in accordance with [SAL Terms and Conditions of sale](#) and all images shown are for illustration purposes only and may vary from the actual colour or finish. Unless specifically stated, all IP ratings nominated for Interior products are from "below the ceiling".

Dimensions



Dimensions





Photometric Data

Unit: cd C0/C180 _____ C90/C270 _____

S9015/80WW/BK at 3000K

S9015/150WW/BK at 4000K

