



DICE II S9016 - 8W

Surface mount square, dimmable LED downlight, CRI>90

Application

Ideal for any residential foyers, features or commercial interior spaces

Design Specifications

- Surface mounted architectural square profile downlight
- Centre tilt at each head, 30°
- Durable die-cast aluminium body profile, black finish as standard (optional) white finish available
- High output (CRI>90) COB LED chip, polycarbonate optical lens, integral constant current trailing edge dimmable LED driver
- Changeable multi-faceted reflector system



-
-
-
-
-
-

Performance

Dimmable - **YES**
Dimmer Type - **Trailing edge**

Technical Specification

Model No.	Input Voltage (V/AC)	Power (W)	Lumens (lm)	CCT (K)	Beam Angle (°)	Dimmable
S9016WW/BK	240	8	620	3000	60	YES

Technical Specification

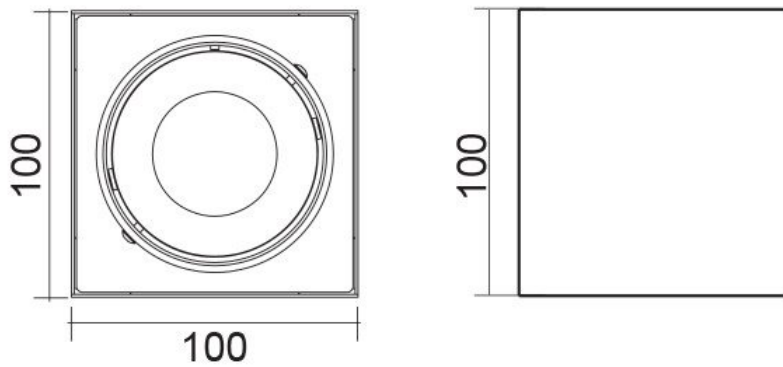
Model No.	CRI	Body Colour	Dim (mm)
S9016WW/BK	90	BLACK	100(L) x 100(W) x 100(H)

Due to continued product and technology enhancements, data sourced from sal.net.au shall not form part of any contract and or technical performance guarantee unless expressly confirmed in writing by SAL at the time of order. Products are sold in accordance with [SAL Terms and Conditions of sale](#) and all images shown are for illustration purposes only and may vary from the actual colour or finish. Unless specifically stated, all IP ratings nominated for Interior products are from "below the ceiling".

Dimensions



Dimensions





Photometric Data

Unit: cd C0/C180 _____ C90/C270 _____

S9016WW/BK at 3000K

