



## DECOFIT S9010TC - 10W

Fixed, dimmable 10 watt LED downlight, with selectable colour temperature

### Application

Ideal for any residential, or commercial interior space

### Design Specifications

- Die-cast aluminium body profile, in matt white finish
- High output COB LED optical system, polycarbonate lens
- Remote constant current trailing edge dimmable driver included, complete with flex and plug
- 60 degree standard beam distribution, optional 25 and 40 degree.
- Colour deco rings supplied as standard
- Optional CRI>90 warm white only (S9010HC/WW), optional 15 watt warm white only



### Performance

Dimmable - YES

Dimmer Type - Trailing edge, 1-10V, DALI / DSI

### Technical Specification

Model No.	Input Voltage (V/AC)	Power (W)	Lumens (lm)	CCT (K)	Beam Angle (°)	Dimmable
S9010TC	240	10	750/900/850	3000/4000/6000	60	YES

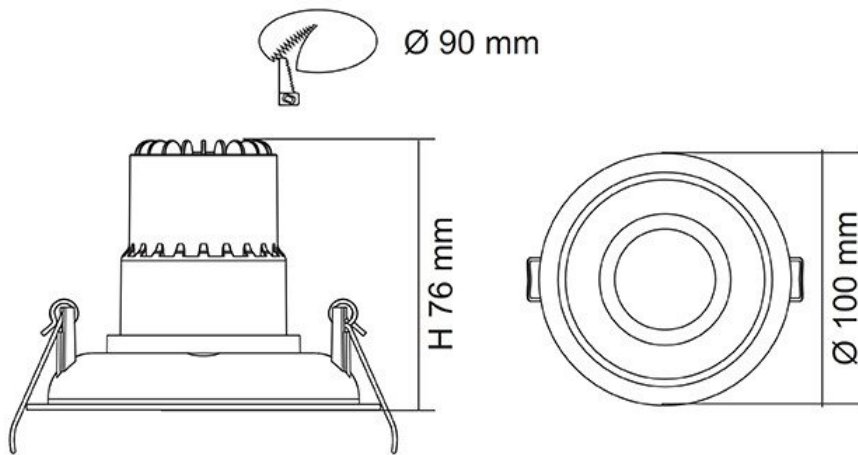
### Technical Specification

Model No.	CRI	Body Colour	Cut Out (mm)	Diameter (mm)	Dim (mm)
S9010TC	80	matt white	90	100	76(H)

Due to continued product and technology enhancements, data sourced from sal.net.au shall not form part of any contract and or technical performance guarantee unless expressly confirmed in writing by SAL at the time of order. Products are sold in accordance with SAL Terms and Conditions of sale and all images shown are for illustration purposes only and may vary from the actual colour or finish. Unless specifically stated, all IP ratings nominated for Interior products are from "below the ceiling".

## Dimensions

S9010

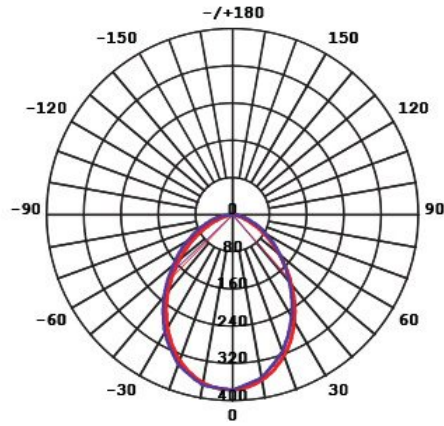




## Photometric Data

Unit: cd C0/C180 \_\_\_\_\_ C90/C270 \_\_\_\_\_

### S9010TC at 3000K



## Product Images

