



## COOPER SE7084L EM - 23W

Maintained or Non-Maintained vandal resistant 23 watt, IP65 LED commercial bunker luminaire, IK10 rated

### Application

A decorative architectural solution for commercial exteriors

### Design Specifications

- Robust die-cast aluminium body, UV stabilised opal polycarbonate diffuser
- Durable black or silver powder coated finish
- Stainless steel allen screws
- High efficiency SMD LED chips
- Integral constant current non-dimmable LED driver
- Compliant to AS/NZS 2293 Emergency Lighting & Exit Signs, guaranteed minimum 90 minutes emergency mode function with LiFePO4 battery technology. Emergency spacing classification D20@C0



### Performance

Dimmable - **OPTIONAL**

### Technical Specification

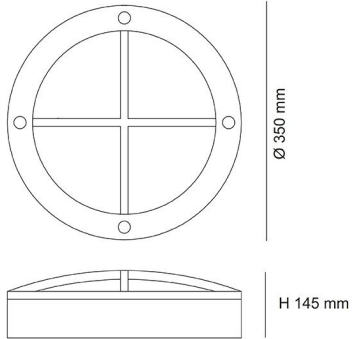
Model No.	Input Voltage (V/AC)	CCT (K)	Power (W)	Lumens (lm)
SE7084L/EM/WW/SL	240	3000	23	1400
SE7084L/EM/DL/SL	240	6000	23	1500
SE7084L/EM/WW/BK	240	3000	23	1400
SE7084L/EM/DL/BK	240	6000	23	1500

Important notes: (1) In the interest of transport and safety, emergency products are supplied with the battery disconnected. (2) In addition to specific emergency commissioning instructions, the battery **MUST** be connected at the time of installation. (3) Continual use in emergency mode greater than 240 hours without recharge, will result in battery failure and void battery warranty.

Due to continued product and technology enhancements, data sourced from sal.net.au shall not form part of any contract and or technical performance guarantee unless expressly confirmed in writing by SAL at the time of order. Products are sold in accordance with [SAL Terms and Conditions of sale](#) and all images shown are for illustration purposes only and may vary from the actual colour or finish. Unless specifically stated, all IP ratings nominated for Interior products are from "below the ceiling".

## Dimensions

SE7084L

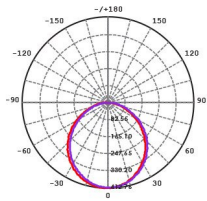


## Photometric Data

### Photometric Data (at maintained power)

Unit: cd C0/C180 — C90/C270 —

SE7084L/EM/WW at 3000K



At SAL we are always thinking about how we can enhance our customers lighting experience & strongly believe **OUR SUCCESS IS MEASURED BY OUR CUSTOMERS SUCCESS.**



For more  
information  
please  
scan me

