



COOPER SE7083L - 23W

23 watt, IP65 LED commercial bunker luminaire, IK10 rated

Application

A decorative architectural solution for commercial exteriors

Design Specifications

- Robust die-cast aluminium body, UV stabilised opal polycarbonate diffuser
- Durable black or silver powder coated finish
- Stainless steel allen screws
- High efficiency SMD LED chips
- Integral constant current non-dimmable LED driver
- Product selections compliant to AS/NZS2293
Emergency Lighting & Exit Signs are located in the exterior emergency section of this catalogue



Performance

Dimmable - **OPTIONAL**
In Built Sensor - **OPTIONAL**
Sensor Type - **MICROWAVE**

Technical Specification

Model No.	Input Voltage (V/AC)	Power (W)	Lumens (lm)	CCT (K)	CRI	Dim (mm)
SE7083L SL WW	240	23	1400	3000	80	350(W) x 130(H)
SE7083L SL DL	240	23	1500	6000	80	350(W) x 130(H)
SE7083L BK WW	240	23	1400	3000	80	350(W) x 130(H)
SE7083L BK DL	240	23	1500	6000	80	350(W) x 130(H)

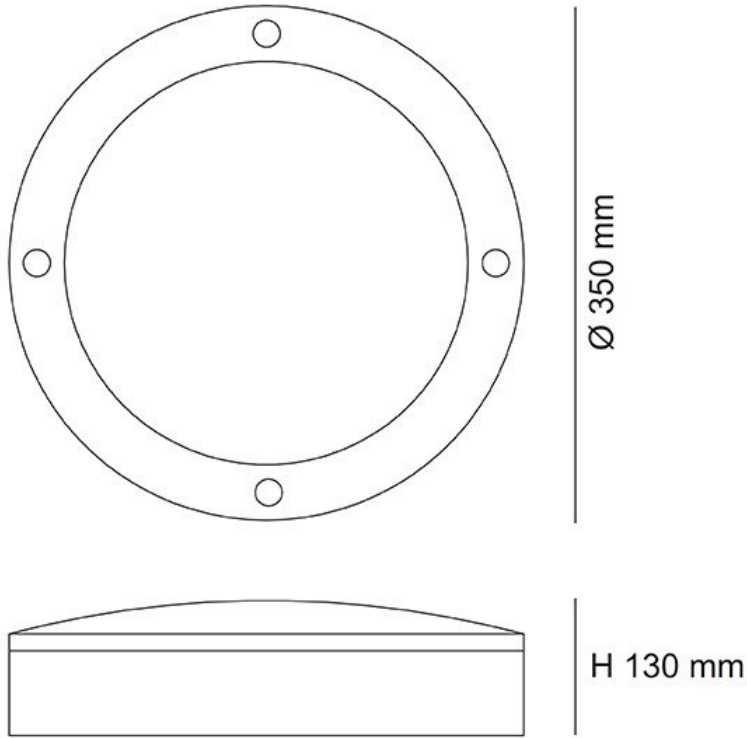
Technical Specification

Model No.	Body Colour
SE7083L SL WW	SILVER
SE7083L SL DL	SILVER
SE7083L BK WW	BLACK
SE7083L BK DL	BLACK

Due to continued product and technology enhancements, data sourced from sal.net.au shall not form part of any contract and or technical performance guarantee unless expressly confirmed in writing by SAL at the time of order. Products are sold in accordance with SAL Terms and Conditions of sale and all images shown are for illustration purposes only and may vary from the actual colour or finish. Unless specifically stated, all IP ratings nominated for Interior products are from "below the ceiling".

Dimensions

SE7083L





Photometric Data

Unit: cd C0/C180 _____ C90/C270 _____

SE7083L SL WW at 3000K

