



## COOPER SE7082L - 16W

IP65, 16 watt LED commercial bunker luminaire, IK10 rated

### Application

A decorative architectural solution for commercial exteriors

### Design Specifications

- Robust die-cast aluminium body, UV stabilised opal polycarbonate diffuser
- Durable powder coated finish
- Stainless steel allen screws
- High efficiency SMD LED chips
- Integral constant current non-dimmable LED driver
- Product selections compliant to AS/NZS2293  
Emergency Lighting & Exit Signs are located in the exterior emergency section of this catalogue



### Performance

In Built Sensor - **OPTIONAL**

Sensor Type - **MICROWAVE**

### Technical Specification

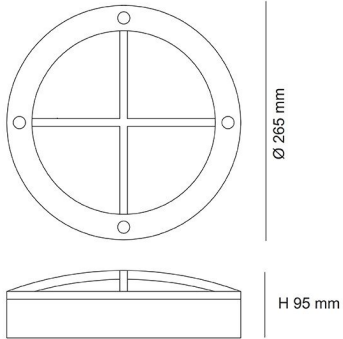
Model No.	Input Voltage (V/AC)	Power (W)	Lumens (lm)	CCT (K)	CRI	Dim (mm)
SE7082L SL WW	240	16	1000	3000	80	295(W) x 95(H)
SE7082L SL DL	240	16	1000	6000	80	265(W) x 95(H)
SE7082L BK WW	240	16	1000	3000	80	295(W) x 95(H)
SE7082L BK DL	240	16	1000	6000	80	295(W) x 95(H)

Model No.	Body Colour
SE7082L SL WW	SILVER
SE7082L SL DL	SILVER
SE7082L BK WW	BLACK
SE7082L BK DL	BLACK

Due to continued product and technology enhancements, data sourced from sal.net.au shall not form part of any contract and or technical performance guarantee unless expressly confirmed in writing by SAL at the time of order. Products are sold in accordance with [SAL Terms and Conditions of sale](#) and all images shown are for illustration purposes only and may vary from the actual colour or finish. Unless specifically stated, all IP ratings nominated for Interior products are from "below the ceiling".

## Dimensions

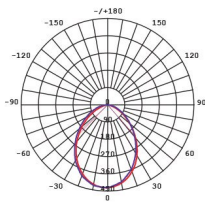
SE7082L



## Photometric Data

Unit: cd C0/C180 — C90/C270 —

SE7082L SL WW at 3000K





Why is the IP rating important? In brief, IP (Ingress Protection) ratings are defined in EN 60529 and simply defines the ability of an electrical product to seal and protect against the intrusion of foreign objects and water.

(I) As the first numeral stands for intrusion of a foreign object, where (P) as the second numeral stands for the penetration of moisture.

As a guide IP20 rated products would be seen in interior spaces with no requirement for protection against the elements, where an IP65 product would be found in an exterior application which required substantial protection against the elements.

*Need more information on IP ratings? Check out the SAL web FAQ's or speak to your local SAL team member.*

**For more  
information  
please  
scan me**

