



COOPER SE7081L - 16W

16 watt, IP65 LED commercial bunker luminaire, IK10 rated

Application

A decorative architectural solution for commercial exteriors

Design Specifications

- Robust die-cast aluminium body
- Durable black or silver powder coated finish
- Stainless steel allen screws
- High efficiency SMD LED chips
- Integral constant current non-dimmable LED driver, UV stabilised opal polycarbonate diffuser
- Product selections compliant to AS/NZS2293
Emergency Lighting & Exit Signs are located in the exterior emergency section of this catalogue



Performance

In Built Sensor - **OPTIONAL**
Sensor Type - **MICROWAVE**

Technical Specification

Model No.	Input Voltage (V/AC)	Power (W)	Lumens (lm)	CCT (K)	CRI	Dim (mm)
SE7081L SL WW	240	16	1100	3000	80	265(W) x 85(H)
SE7081L SL DL	240	16	1100	6000	80	265(W) x 85(H)
SE7081L BK WW	240	16	1100	3000	80	265(W) x 85(H)
SE7081L BK DL	240	16	1100	6000	80	265(W) x 85(H)

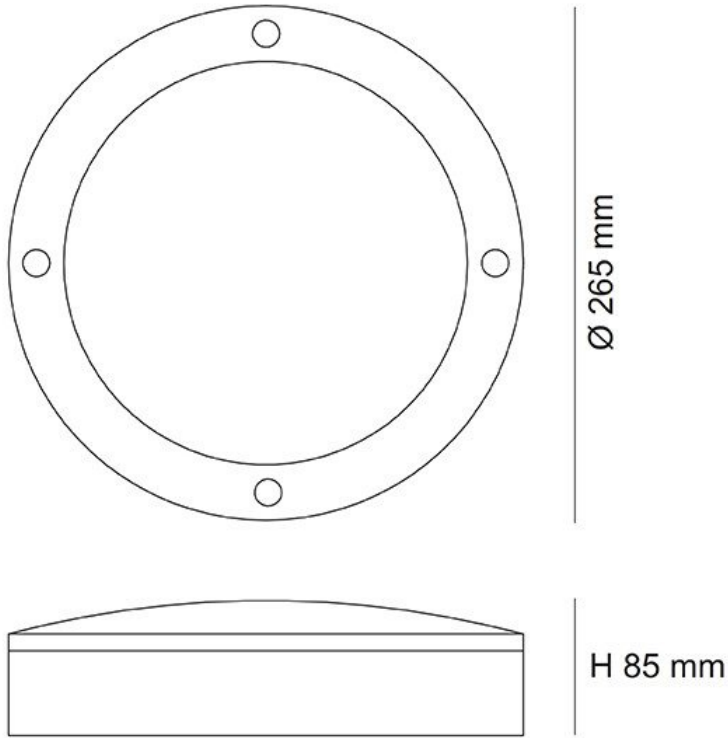
Technical Specification

Model No.	Body Colour	iPART	REES
SE7081L SL WW	SILVER	YES	YES
SE7081L SL DL	SILVER	YES	YES
SE7081L BK WW	BLACK	YES	YES
SE7081L BK DL	BLACK	YES	YES

Due to continued product and technology enhancements, data sourced from sal.net.au shall not form part of any contract and or technical performance guarantee unless expressly confirmed in writing by SAL at the time of order. Products are sold in accordance with [SAL Terms and Conditions of sale](#) and all images shown are for illustration purposes only and may vary from the actual colour or finish. Unless specifically stated, all IP ratings nominated for Interior products are from "below the ceiling".

Dimensions

SE7081L





Photometric Data

Unit: cd C0/C180 _____ C90/C270 _____

SE7081L SL WW at 3000K

