



## COOPER SE7081L - 16W

16 watt, IP65 LED commercial bunker luminaire, IK10 rated

### Application

A decorative architectural solution for commercial exteriors

### Design Specifications

- Robust die-cast aluminium body
- Durable black or silver powder coated finish
- Stainless steel allen screws
- High efficiency SMD LED chips
- Integral constant current non-dimmable LED driver, UV stabilised opal polycarbonate diffuser
- Product selections compliant to AS/NZS2293  
Emergency Lighting & Exit Signs are located in the exterior emergency section of this catalogue



### Performance

In Built Sensor - **OPTIONAL**

Sensor Type - **MICROWAVE**

### Technical Specification

Model No.	Input Voltage (V/AC)	Power (W)	Lumens (lm)	CCT (K)	CRI	Dim (mm)
SE7081L SL WW	240	16	1100	3000	80	265(W) x 85(H)
SE7081L SL DL	240	16	1100	6000	80	265(W) x 85(H)
SE7081L BK WW	240	16	1100	3000	80	265(W) x 85(H)
SE7081L BK DL	240	16	1100	6000	80	265(W) x 85(H)

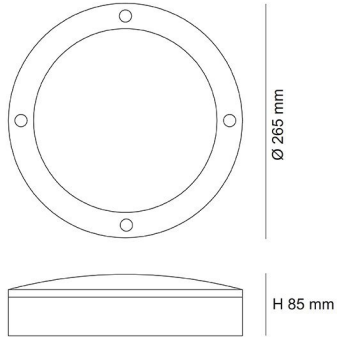
Model No.	Body Colour	iPART	REES
SE7081L SL WW	SILVER	YES	YES
SE7081L SL DL	SILVER	YES	YES
SE7081L BK WW	BLACK	YES	YES
SE7081L BK DL	BLACK	YES	YES

Due to continued product and technology enhancements, data sourced from sal.net.au shall not form part of any contract and or technical performance guarantee unless expressly confirmed in writing by SAL at the time of order. Products are sold in accordance with [SAL Terms and Conditions of sale](#) and all images shown are for illustration purposes only and may vary from the actual colour or finish. Unless specifically stated, all IP ratings nominated for Interior products are from "below the ceiling".



## Dimensions

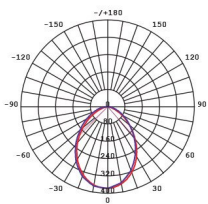
SE7081L



## Photometric Data

Unit: cd C0/C180 — C90/C270 —

SE7081L SL WW at 3000K





Why is the IP rating important? In brief, IP (Ingress Protection) ratings are defined in EN 60529 and simply defines the ability of an electrical product to seal and protect against the intrusion of foreign objects and water.

(I) As the first numeral stands for intrusion of a foreign object, where (P) as the second numeral stands for the penetration of moisture.

As a guide IP20 rated products would be seen in interior spaces with no requirement for protection against the elements, where an IP65 product would be found in an exterior application which required substantial protection against the elements.

*Need more information on IP ratings? Check out the SAL web FAQ's or speak to your local SAL team member.*

**For more  
information  
please  
scan me**

